

PROT-M12 - Screw plug



1680539

<https://www.phoenixcontact.com/us/products/1680539>

Please be informed that the data shown in this PDF document is generated from our online catalog. Please find the complete data in the user documentation. Our general terms of use for downloads are valid.



An M12 screw plug for the unoccupied M12 sockets of the sensor/actuator cable, boxes and flush-type connectors

Your advantages

- Reliable protection of unoccupied slots during transport and use in the field
- Protected against splash water and dust
- Easy assembly using a screwdriver

Commercial data

Item number	1680539
Packing unit	5 pc
Minimum order quantity	5 pc
Sales key	BF46
Product key	BF3ZAX
Catalog page	Page 197 (C-6-2019)
GTIN	4017918163389
Weight per piece (including packing)	2.19 g
Weight per piece (excluding packing)	0.826 g
Customs tariff number	39269097
Country of origin	DE

PROT-M12 - Screw plug

1680539

<https://www.phoenixcontact.com/us/products/1680539>

Technical data

Notes

Note on application	Also suitable for M12 push-pull.
---------------------	----------------------------------

Product properties

Product type	Plug for cable screw gland
Thread type	M12

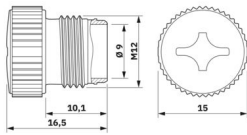
Data management status

Article revision	02
------------------	----

Connection data

Tightening torque	0.4 Nm
-------------------	--------

Dimensions

Dimensional drawing	
Diameter	15 mm

Material specifications

Flammability rating according to UL 94	V0
Material for screw connection	PA 6.6

Environmental and real-life conditions

Ambient conditions

Degree of protection	IP65
	IP67
Ambient temperature (operation)	-40 °C ... 85 °C

PROT-M12 - Screw plug

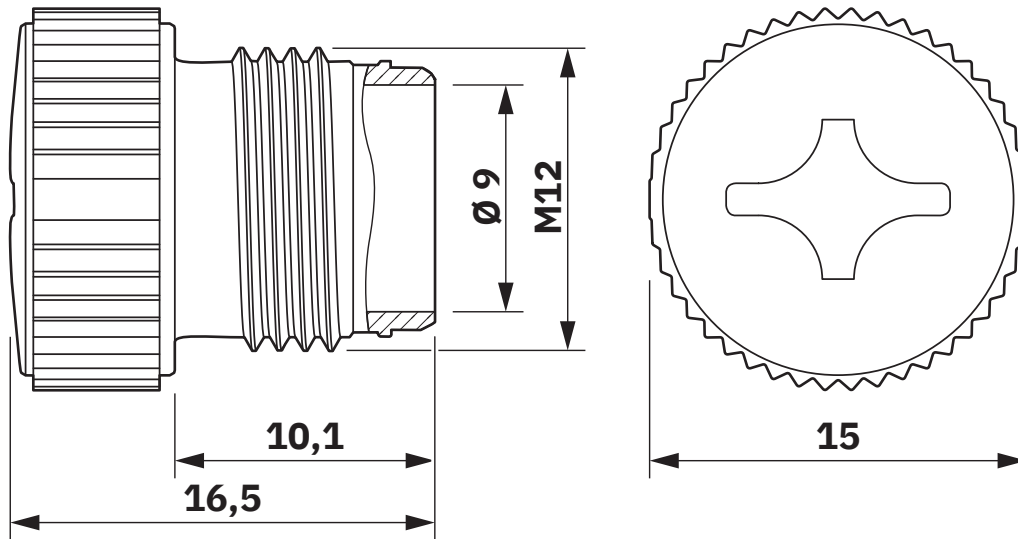
1680539

<https://www.phoenixcontact.com/us/products/1680539>



Drawings

Dimensional drawing



PROT-M12 - Screw plug



1680539

<https://www.phoenixcontact.com/us/products/1680539>

Approvals

To download certificates, visit the product detail page: <https://www.phoenixcontact.com/us/products/1680539>



UL Recognized

Approval ID: FILE E 240868

PROT-M12 - Screw plug

1680539

<https://www.phoenixcontact.com/us/products/1680539>



Classifications

ECLASS

ECLASS-11.0	23111190
ECLASS-12.0	23111190
ECLASS-13.0	23111190

ETIM

ETIM 9.0	EC000032
----------	----------

UNSPSC

UNSPSC 21.0	31261500
-------------	----------

PROT-M12 - Screw plug

1680539

<https://www.phoenixcontact.com/us/products/1680539>



Environmental product compliance

EU RoHS

Fulfills EU RoHS substance requirements	Yes, No exemptions
---	--------------------

China RoHS

Environment friendly use period (EFUP)	EFUP-E
	No hazardous substances above the limits

EU REACH SVHC

REACH candidate substance (CAS No.)	No substance above 0.1 wt%
-------------------------------------	----------------------------

PROT-M12 - Screw plug

1680539

<https://www.phoenixcontact.com/us/products/1680539>



Accessories

SZF 3-1,0X5,5 - Screwdriver

1206612

<https://www.phoenixcontact.com/us/products/1206612>



Actuation tool, for ST terminal blocks, also suitable for use as a bladed screwdriver, size: 1.0 x 5.5 x 150 mm, 2-component grip, with non-slip grip

Phoenix Contact 2024 © - all rights reserved
<https://www.phoenixcontact.com>

Phoenix Contact USA
586 Fulling Mill Road
Middletown, PA 17057, United States
(+717) 944-1300
info@phoenixcon.com