

# A-INSP-PG21-65N-P-BK - Screw plug



1415214

<https://www.phoenixcontact.com/us/products/1415214>

Please be informed that the data shown in this PDF document is generated from our online catalog. Please find the complete data in the user documentation. Our general terms of use for downloads are valid.

Screw plug, material for screw connection: PA, connecting thread: Pg21, color: jet black RAL 9005, with O-ring



## Commercial data

Item number	1415214
Packing unit	1 pc
Minimum order quantity	10 pc
Sales key	BF68
Product key	BF7DZX
Catalog page	Page 703 (C-2-2019)
GTIN	4055626038575
Weight per piece (including packing)	4.81 g
Weight per piece (excluding packing)	4.77 g
Customs tariff number	39269097
Country of origin	DE

# A-INSP-PG21-65N-P-BK - Screw plug

1415214

<https://www.phoenixcontact.com/us/products/1415214>

## Technical data

### Product properties

Product type	Plug for cable screw gland
--------------	----------------------------

### Dimensions

Dimensional drawing	
Length	11 mm
Length of the connecting thread	8 mm
Diameter	28.3 mm 33 mm
Connecting thread diameter	28.3 mm
Hexagon angular dimension	Diameter
Thread type connection side	Pg21

### Material specifications

Material	PA
Seal material Flat gasket	EPDM
Material for screw connection	PA

### Environmental and real-life conditions

#### Ambient conditions

Degree of protection	IP65
Ambient temperature (operation)	-40 °C ... 100 °C

# A-INSP-PG21-65N-P-BK - Screw plug

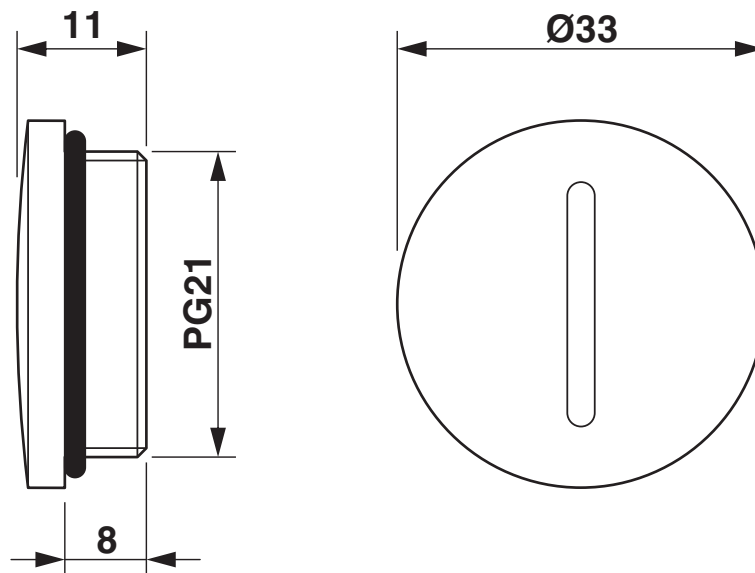
1415214

<https://www.phoenixcontact.com/us/products/1415214>

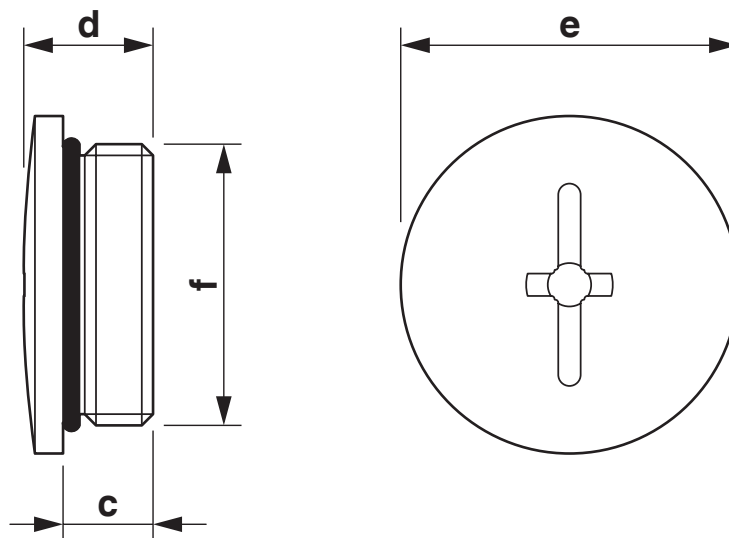


## Drawings

Dimensional drawing



Dimensional drawing



# A-INSP-PG21-65N-P-BK - Screw plug



1415214

<https://www.phoenixcontact.com/us/products/1415214>

## Classifications

### ECLASS

ECLASS-11.0	23111190
ECLASS-12.0	23111190
ECLASS-13.0	23111190

### ETIM

ETIM 9.0	EC000032
----------	----------

### UNSPSC

UNSPSC 21.0	31261500
-------------	----------

# A-INSP-PG21-65N-P-BK - Screw plug



1415214

<https://www.phoenixcontact.com/us/products/1415214>

## Environmental product compliance

China RoHS	Environmentally friendly use period: unlimited = EFUP-e
	No hazardous substances above threshold values

# A-INSP-PG21-65N-P-BK - Screw plug

1415214

<https://www.phoenixcontact.com/us/products/1415214>



## Accessories

### A-INL-PG21-P-BK - Counter nut

1424563

<https://www.phoenixcontact.com/us/products/1424563>

Counter nut, connecting thread: Pg21, color: jet black



---

Phoenix Contact 2023 © - all rights reserved  
<https://www.phoenixcontact.com>

Phoenix Contact USA  
586 Fulling Mill Road  
Middletown, PA 17057, United States  
(+717) 944-1300  
[info@phoenixcon.com](mailto:info@phoenixcon.com)