

A-INSP-M32-65N-P-BK - Screw plug



1415208

<https://www.phoenixcontact.com/us/products/1415208>

Please be informed that the data shown in this PDF document is generated from our online catalog. Please find the complete data in the user documentation. Our general terms of use for downloads are valid.

Screw plug, material for screw connection: PA, connecting thread: M32 x 1.5, color: jet black RAL 9005, with O-ring



Commercial data

| | |
|--------------------------------------|---------------------|
| Item number | 1415208 |
| Packing unit | 1 pc |
| Minimum order quantity | 10 pc |
| Sales key | BF68 |
| Product key | BF7DZX |
| Catalog page | Page 702 (C-2-2019) |
| GTIN | 4055626038537 |
| Weight per piece (including packing) | 7.92 g |
| Weight per piece (excluding packing) | 7.92 g |
| Customs tariff number | 39269097 |
| Country of origin | DE |

A-INSP-M32-65N-P-BK - Screw plug

1415208

<https://www.phoenixcontact.com/us/products/1415208>

Technical data

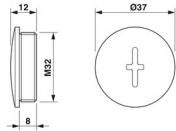
Product properties

| | |
|--------------------------|----------------------------|
| Product type | Plug for cable screw gland |
| Manufacturer | WISKA |
| Manufacturer Designation | EVSG-ORD 32 |

Connection data

| | |
|-------------------|------|
| Tightening torque | 2 Nm |
|-------------------|------|

Dimensions

| | |
|---------------------------------|--|
| Dimensional drawing |  |
| Length | 12 mm |
| Length of the connecting thread | 8 mm |
| Diameter | 32 mm |
| Connecting thread diameter | 32 mm |
| Hexagon angular dimension | Diameter |
| Thread type connection side | M32 x 1.5 |
| Thread pitch | 1.5 mm |

Material specifications

| | |
|-------------------------------|------|
| Material | PA |
| Seal material O-ring | EPDM |
| Material for screw connection | PA |

Cable/line

| | |
|--------------|-----|
| Halogen-free | yes |
|--------------|-----|

Environmental and real-life conditions

Ambient conditions

| | |
|---------------------------------|-------------------|
| Degree of protection | IP68 |
| | IP66 |
| Ambient temperature (operation) | -40 °C ... 100 °C |

A-INSP-M32-65N-P-BK - Screw plug

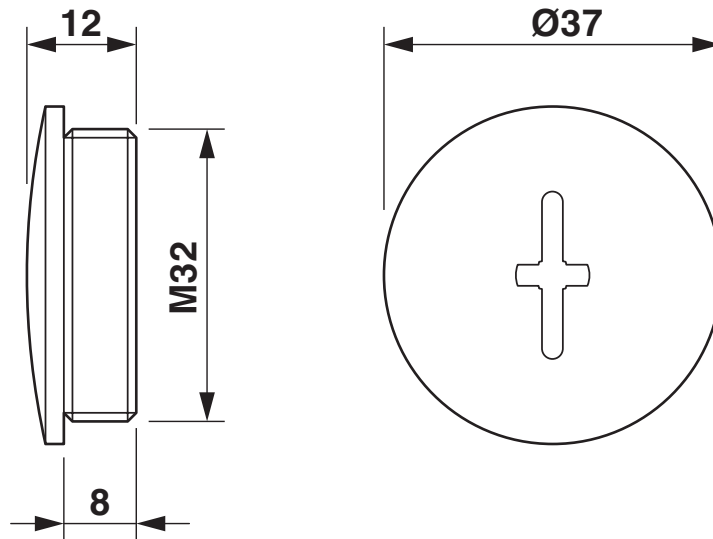
1415208

<https://www.phoenixcontact.com/us/products/1415208>



Drawings

Dimensional drawing



A-INSP-M32-65N-P-BK - Screw plug



1415208

<https://www.phoenixcontact.com/us/products/1415208>

Classifications

ECLASS

| | |
|-------------|----------|
| ECLASS-11.0 | 23111190 |
| ECLASS-12.0 | 23111190 |
| ECLASS-13.0 | 23111190 |

ETIM

| | |
|----------|----------|
| ETIM 9.0 | EC000032 |
|----------|----------|

UNSPSC

| | |
|-------------|----------|
| UNSPSC 21.0 | 31261500 |
|-------------|----------|

A-INSP-M32-65N-P-BK - Screw plug



1415208

<https://www.phoenixcontact.com/us/products/1415208>

Environmental product compliance

| | |
|------------|---|
| China RoHS | Environmentally friendly use period: unlimited = EFUP-e |
| | No hazardous substances above threshold values |

A-INSP-M32-65N-P-BK - Screw plug

1415208

<https://www.phoenixcontact.com/us/products/1415208>



Accessories

A-INL-M32-P-BK - Counter nut

1411217

<https://www.phoenixcontact.com/us/products/1411217>

Counter nut, for threads M32 x 1.5, color: jet black



Phoenix Contact 2023 © - all rights reserved
<https://www.phoenixcontact.com>

Phoenix Contact USA
586 Fulling Mill Road
Middletown, PA 17057, United States
(+717) 944-1300
info@phoenixcon.com