

A-INSP-M20-65N-P-BK - Screw plug



1415206

<https://www.phoenixcontact.com/us/products/1415206>

Please be informed that the data shown in this PDF document is generated from our online catalog. Please find the complete data in the user documentation. Our general terms of use for downloads are valid.

Screw plug, material for screw connection: PA, connecting thread: M20 x 1.5, color: jet black RAL 9005, with O-ring



Commercial data

Item number	1415206
Packing unit	1 pc
Minimum order quantity	10 pc
Sales key	BF68
Product key	BF7DZX
Catalog page	Page 702 (C-2-2019)
GTIN	4055626038513
Weight per piece (including packing)	5.04 g
Weight per piece (excluding packing)	4.97 g
Customs tariff number	39269097
Country of origin	DE

A-INSP-M20-65N-P-BK - Screw plug

1415206

<https://www.phoenixcontact.com/us/products/1415206>

Technical data

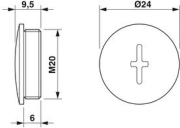
Product properties

Product type	Plug for cable screw gland
Manufacturer	WISKA
Manufacturer Designation	EVSG-ORD 20

Connection data

Tightening torque	1 Nm
-------------------	------

Dimensions

Dimensional drawing	
Length	9.5 mm
Length of the connecting thread	6 mm
Diameter	20 mm
Connecting thread diameter	20 mm
Hexagon angular dimension	Diameter
Thread type connection side	M20 x 1.5
Thread pitch	1.5 mm

Material specifications

Material	PA
Seal material O-ring	EPDM
Material for screw connection	PA

Cable/line

Halogen-free	yes
--------------	-----

Environmental and real-life conditions

Ambient conditions

Degree of protection	IP68
	IP66
Ambient temperature (operation)	-40 °C ... 100 °C

A-INSP-M20-65N-P-BK - Screw plug

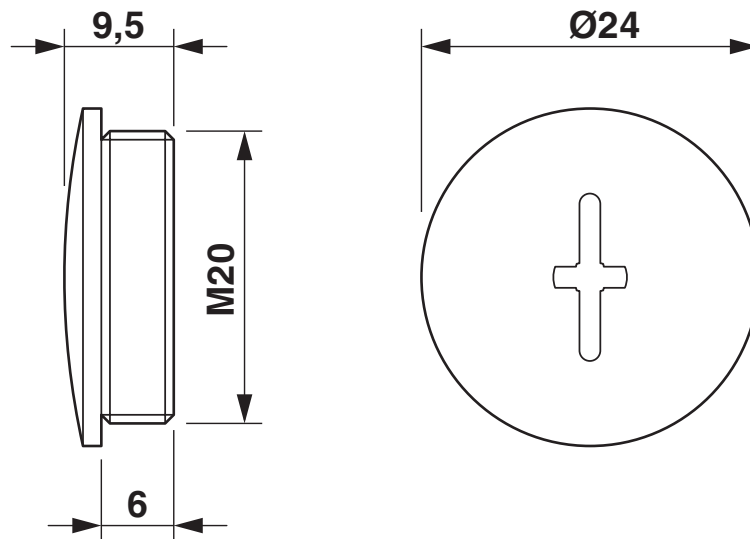
1415206

<https://www.phoenixcontact.com/us/products/1415206>



Drawings

Dimensional drawing



A-INSP-M20-65N-P-BK - Screw plug



1415206

<https://www.phoenixcontact.com/us/products/1415206>

Classifications

ECLASS

ECLASS-11.0	23111190
ECLASS-12.0	23111190
ECLASS-13.0	23111190

ETIM

ETIM 9.0	EC000032
----------	----------

UNSPSC

UNSPSC 21.0	31261500
-------------	----------

A-INSP-M20-65N-P-BK - Screw plug



1415206

<https://www.phoenixcontact.com/us/products/1415206>

Environmental product compliance

China RoHS	Environmentally friendly use period: unlimited = EFUP-e
	No hazardous substances above threshold values

A-INSP-M20-65N-P-BK - Screw plug

1415206

<https://www.phoenixcontact.com/us/products/1415206>



Accessories

A-INL-M20-P-BK - Counter nut

1411215

<https://www.phoenixcontact.com/us/products/1411215>

Counter nut, for threads M20 x 1.5, color: jet black



Phoenix Contact 2023 © - all rights reserved
<https://www.phoenixcontact.com>

Phoenix Contact USA
586 Fulling Mill Road
Middletown, PA 17057, United States
(+717) 944-1300
info@phoenixcon.com