

A-EXSH-M25-68L-S-S - Screw plug

1411108

<https://www.phoenixcontact.com/us/products/1411108>

Please be informed that the data shown in this PDF document is generated from our online catalog. Please find the complete data in the user documentation. Our general terms of use for downloads are valid.



Screw plug, material for screw connection: Stainless steel 316L, application: Ex, connecting thread: M25 x 1.5, color: silver

Commercial data

Item number	1411108
Packing unit	1 pc
Minimum order quantity	20 pc
Sales key	BF68
Product key	BF7DDX
Catalog page	Page 654 (C-3-2019)
GTIN	4046356922234
Weight per piece (including packing)	87.565 g
Weight per piece (excluding packing)	87.565 g
Customs tariff number	73269098
Country of origin	GB

A-EXSH-M25-68L-S-S - Screw plug



1411108

<https://www.phoenixcontact.com/us/products/1411108>

Technical data

Notes

General	This item must only be used with counter nut 1411250 A-INL-M25-S-S for the Ex e type of protection.
---------	---

Product properties

Product type	Plug for cable screw gland
Application	Ex
Manufacturer	CMP
Manufacturer Designation	757 M25 EExde HEX HD STOP PLUG ST. STEEL
Manufacturer product number	757DM34

Ex data

Suited for EX-applications	yes
----------------------------	-----

Dimensions

Dimensional drawing	
Length	24 mm
Length of the connecting thread	15 mm
Length without connecting thread	9 mm
Diameter	25 mm
Connecting thread diameter	25 mm
Wrench size, union nut	30 mm
Hexagon angular dimension	33 mm
Thread type connection side	M25 x 1.5
Thread pitch	1.5 mm

Material specifications

Material for screw connection	Stainless steel 316L
-------------------------------	----------------------

Environmental and real-life conditions

Ambient conditions

Degree of protection	IP66 (using the corresponding A-SEW-...P-W flat gasket) IP68 (using the corresponding A-SEW-...P-W flat gasket)
Ambient temperature (operation)	-60 °C ... 130 °C

Approvals

Sira 01ATEX1284U

A-EXSH-M25-68L-S-S - Screw plug



1411108

<https://www.phoenixcontact.com/us/products/1411108>

ATEX	Sira 02ATEX1003X
	Ex II 2 GD Ex d IIC & Ex e II, Ex IM2 Ex d I, Ex e I
IECEX	IECEX SIR 07.0056X
	Ex d I / Ex e I / Ex d IIC / Ex e II, Ex tD A21 IP6X

Standards and regulations

EN Ex

Standards/specifications	EN 60079-0, -1, -7
--------------------------	--------------------

IEC Ex

Standards/specifications	IEC 60079-0, -1, -7
--------------------------	---------------------

EN Ex

Standards/specifications	EN 61241-0, -1
--------------------------	----------------

IEC Ex

Standards/specifications	IEC 61241-0, -1
--------------------------	-----------------

Mounting

Assembly instructions	Sealed to IP66/IP68 thanks to the use of the A-SEW-25-P-W flat gasket (item 1411284)
-----------------------	--

A-EXSH-M25-68L-S-S - Screw plug

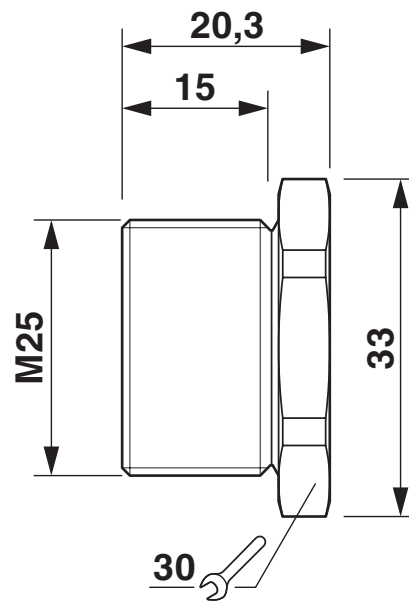
1411108

<https://www.phoenixcontact.com/us/products/1411108>



Drawings

Dimensional drawing



A-EXSH-M25-68L-S-S - Screw plug



1411108

<https://www.phoenixcontact.com/us/products/1411108>

Approvals

🔗 To download certificates, visit the product detail page: <https://www.phoenixcontact.com/us/products/1411108>



CSA

Approval ID: 113642



UL Listed

Approval ID: E214221



ATEX

Approval ID: CML 18ATEX1320X

A-EXSH-M25-68L-S-S - Screw plug



1411108

<https://www.phoenixcontact.com/us/products/1411108>

Classifications

ECLASS

ECLASS-11.0	23111190
ECLASS-12.0	23111190
ECLASS-13.0	23111190

ETIM

ETIM 9.0	EC000032
----------	----------

UNSPSC

UNSPSC 21.0	31261500
-------------	----------

A-EXSH-M25-68L-S-S - Screw plug



1411108

<https://www.phoenixcontact.com/us/products/1411108>

Environmental product compliance

REACH SVHC	Lead 7439-92-1
China RoHS	Environmentally Friendly Use Period = 50 years
	For information on hazardous substances, refer to the manufacturer's declaration available under "Downloads"

A-EXSH-M25-68L-S-S - Screw plug

1411108

<https://www.phoenixcontact.com/us/products/1411108>



Accessories

A-SEW-25-P-W - Flat gasket

1411284

<https://www.phoenixcontact.com/us/products/1411284>

Flat gasket, for threads M25, color: white



A-INL-M25-S-S - Counter nut

1411250

<https://www.phoenixcontact.com/us/products/1411250>

Counter nut, for threads M25 x 1.5, color: silver



Phoenix Contact 2023 © - all rights reserved

<https://www.phoenixcontact.com>

Phoenix Contact USA
586 Fulling Mill Road
Middletown, PA 17057, United States
(+717) 944-1300
info@phoenixcon.com