

# PV-FT-CCM-2,5-4-R1000 - Crimp contact



1704927

<https://www.phoenixcontact.com/us/products/1704927>

Please be informed that the data shown in this PDF document is generated from our online catalog. Please find the complete data in the user documentation. Our general terms of use for downloads are valid.



Crimp contact, Range of articles: Sunclix, min. conductor cross section: 2.5 mm<sup>2</sup>, max. conductor cross section: 4 mm<sup>2</sup>, rated current: 27 A, Connection method: Crimp, Contact connection type: Pin. Crimping recommendation: Crimp the conductor with the crimp contact in accordance with IEC 60352

## Your advantages

- High-quality materials ensure a high degree of reliability and long-term stability
- Maximum system efficiency with proven, low-loss SUNCLIX contacts
- International approvals enable worldwide use

## Commercial data

Item number	1704927
Packing unit	1 pc
Minimum order quantity	1,000 pc
Sales key	AB02
Product key	ABLBFA
Catalog page	Page 421 (C-2-2013)
GTIN	4046356746229
Weight per piece (including packing)	5.053 g
Weight per piece (excluding packing)	4.4 g
Customs tariff number	85359000
Country of origin	DE

## Technical data

### Notes

General	Crimping recommendation: Crimp the conductor with the crimp contact in accordance with IEC 60352
General	When using the CRIMPFOX-P SR 6 manual crimping tool, item no. 1212755, please note the use of the standard locator (no marking).

### Safety note

Safety note	<ul style="list-style-type: none"> <li>• <b>WARNING:</b> Commission properly functioning products only. The products must be regularly inspected for damage. Decommission defective products immediately. Replace damaged products. Repairs are not possible.</li> <li>• <b>WARNING:</b> Only electrically qualified personnel may install and operate the product. They must observe the following safety notes. The qualified personnel must be familiar with the basics of electrical engineering. They must be able to recognize and prevent danger. The relevant symbol on the packaging indicates that only personnel familiar with electrical engineering are allowed to install and operate the product.</li> </ul> <p><b>WARNING:</b> The connectors may not be plugged in or disconnected under load. Ignoring the warning or improper use may damage persons and/or property.</p> <ul style="list-style-type: none"> <li>• The products are suitable for applications in plant, controller, and electrical device engineering.</li> <li>• Assembled products may not be manipulated or improperly opened.</li> <li>• Only use mating connectors that are specified in the technical data of the standards listed (e.g. the ones listed in the product accessories online at <a href="https://www.phoenixcontact.com/products">phoenixcontact.com/products</a>).</li> <li>• When using the product in direct connection with third-party manufacturers, the user is responsible.</li> <li>• For operating voltages &gt; 50 V AC, conductive connector housings must be grounded</li> <li>• Ensure that the protective or functional ground has been properly connected.</li> <li>• Observe the corresponding technical data. You will find information:             <ul style="list-style-type: none"> <li>o On the product</li> <li>o On the packing label</li> <li>o In the supplied documentation</li> <li>o Online at <a href="https://www.phoenixcontact.com/products">phoenixcontact.com/products</a> under the product</li> </ul> </li> <li>• The installation notes/Design In documents online on the download page at <a href="https://www.phoenixcontact.com/products">phoenixcontact.com/products</a> must be observed for this product.</li> <li>• Use a protective cap to protect connectors that are not in use. The suitable accessories are available online in the accessory section of the product at <a href="https://www.phoenixcontact.com/products">phoenixcontact.com/products</a></li> <li>• The connector warms up in normal operation. Depending on the ambient conditions, the surface of the connector can continue to warm up. In this case, the user is responsible for posting warnings (e.g. DIN EN ISO 13732-1:2008-12).</li> </ul>
-------------	--

# PV-FT-CCM-2,5-4-R1000 - Crimp contact



1704927

<https://www.phoenixcontact.com/us/products/1704927>

- Operate the connector only when it is fully plugged in and interlocked.
- Ensure that when laying the cable, the tensile load on the connectors does not exceed the upper limit specified in the standards.
- Observe the minimum bending radius of the cable. Lay the cable without twisting it.

## Mounting

Connection method	Crimp
-------------------	-------

## Product properties

Product type	Crimp contact
Product family	Sunclix

## Insulation characteristics

Degree of pollution	2
---------------------	---

## Connection data

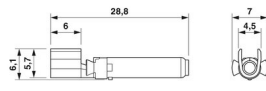
### Conductor connection

Cross section range, metric	2.5 mm <sup>2</sup> ... 4 mm <sup>2</sup>
Connection method	Crimp
Contact connection type	Pin
Stripping length of the individual wire	8 mm -1 mm
Conductor cross section flexible	2.5 mm <sup>2</sup> ... 4 mm <sup>2</sup>

## Material specifications

Flammability rating according to UL 94	V0
Insulating material group	I / CTI 600
Contact surface	Silver Ag
Contact material	Cu
Contact surface material	Ag

## Dimensions

Dimensional drawing	
Width	7 mm
Height	6.1 mm
Length	28.8 mm

## Electrical properties

Maximum load current	35 A (for 4 mm <sup>2</sup> )
Rated voltage (II/2)	1000 V
Rated voltage (III/2)	1500 V

# PV-FT-CCM-2,5-4-R1000 - Crimp contact



1704927

<https://www.phoenixcontact.com/us/products/1704927>

Rated surge voltage (II/2)	12 kV
Rated surge voltage (III/2)	12 kV
Rated surge voltage (III/3)	16 kV
Rated current (2.5 mm <sup>2</sup> )	27 A
Rated current (4.0 mm <sup>2</sup> )	35 A
Contact resistance	0.45 mΩ

## Mechanical properties

### Mechanical data

Insertion force	45 N ±10 N
-----------------	------------

## Environmental and real-life conditions

### Ambient conditions

Degree of protection (when plugged in)	IP66 / IP68 (2 m / 24 h)
Degree of protection (not plugged in)	IP20
Ambient temperature (operation)	-40 °C ... 85 °C
Ambient temperature (assembly)	-25 °C ... 50 °C

# PV-FT-CCM-2,5-4-R1000 - Crimp contact

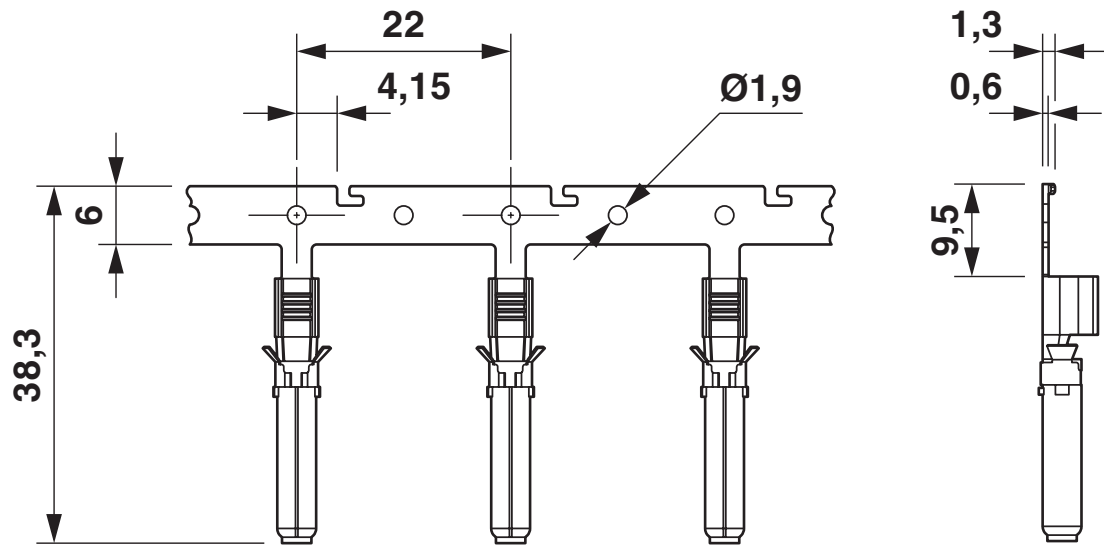


1704927

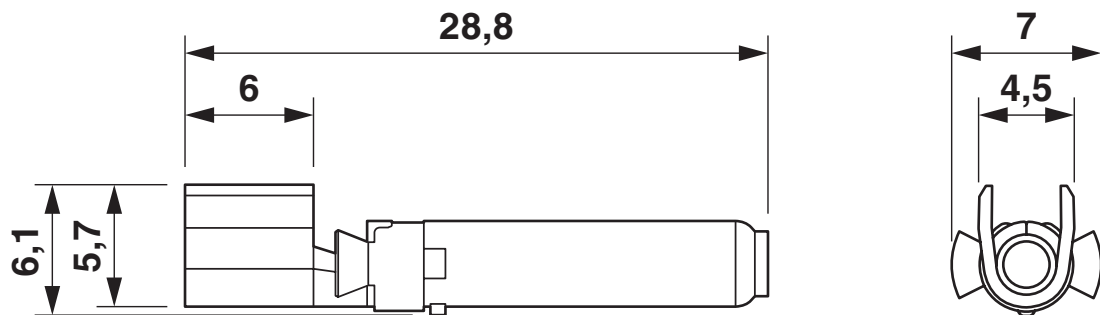
<https://www.phoenixcontact.com/us/products/1704927>

## Drawings

Dimensional drawing



Dimensional drawing



# PV-FT-CCM-2,5-4-R1000 - Crimp contact



1704927

<https://www.phoenixcontact.com/us/products/1704927>

## Classifications

### ECLASS

ECLASS-11.0	27440204
ECLASS-12.0	27440204
ECLASS-13.0	27440204

### ETIM

ETIM 9.0	EC000796
----------	----------

### UNSPSC

UNSPSC 21.0	39121500
-------------	----------

# PV-FT-CCM-2,5-4-R1000 - Crimp contact



1704927

<https://www.phoenixcontact.com/us/products/1704927>

## Environmental product compliance

China RoHS	Environmentally friendly use period: unlimited = EFUP-e
	No hazardous substances above threshold values

# PV-FT-CCM-2,5-4-R1000 - Crimp contact

1704927

<https://www.phoenixcontact.com/us/products/1704927>



## Accessories

### PV-FT-C NUT BK - Screw connection

1775880

<https://www.phoenixcontact.com/us/products/1775880>

Screw connection, Range of articles: Sunclix



---

### PV-C PROTECTION CAP - Protective cap

1785430

<https://www.phoenixcontact.com/us/products/1785430>

Protective cap, Range of articles: Sunclix, color: black. self-sealing, without interlock, set consisting of: 1 protective cap for connector side and 1 protective cap for coupling side





## PV-FT-CCM-2,5-4-R1000 - Crimp contact

1704927

<https://www.phoenixcontact.com/us/products/1704927>



## PV-FT-C2M-HSG - Photovoltaic connector

1704925

<https://www.phoenixcontact.com/us/products/1704925>



Photovoltaic connector, Range of articles: Sunclix, housing material: PPE, color: black, number of positions: 1, rated voltage: 1000 V DC, rated current: 40 A, Connection method: Crimp, Contact connection type: Pin

---

## CRIMPFOX-P SR 6 - Crimping pliers

1212755

<https://www.phoenixcontact.com/us/products/1212755>



Crimping pliers, for SUNCLIX solar crimp connectors 2.5 ... 6 mm<sup>2</sup>, unlockable pressure lock, precise parallel crimping, lateral entry, B crimp, incl. positioning tool

# PV-FT-CCM-2,5-4-R1000 - Crimp contact

1704927

<https://www.phoenixcontact.com/us/products/1704927>



## UNIFOX SR 6 - Mounting pliers

1200137

<https://www.phoenixcontact.com/us/products/1200137>



Mounting pliers for snapping the SUNCLIX crimp contacts into the plastic housing, curved 35°, suitable for a conductor diameter of 4.2 mm ... 6.0 mm.

---

Phoenix Contact 2023 © - all rights reserved

<https://www.phoenixcontact.com>

Phoenix Contact USA  
586 Fulling Mill Road  
Middletown, PA 17057, United States  
(+717) 944-1300  
[info@phoenixcon.com](mailto:info@phoenixcon.com)