

# SACC-M12-SCO NUT L 90 - Housing screw connection



1432460

<https://www.phoenixcontact.com/us/products/1432460>

Please be informed that the data shown in this PDF document is generated from our online catalog. Please find the complete data in the user documentation. Our general terms of use for downloads are valid.



Housing screw connection-SPEEDCON, Front mounting, M12 x 1, Alternative product in accordance with RoHS II without Exemption 6c (Pb <0.1%) item no.: 1237409

## Your advantages

- Easy device integration, thanks to mechanical port screw connections with threaded fastening
- Flexible PCB assembly: two-piece connectors for wave and THR soldering
- SPEEDCON fast locking system reduces cabling times

## Commercial data

Item number	1432460
Packing unit	1 pc
Minimum order quantity	10 pc
Sales key	AB23
Product key	ABQAED
Catalog page	Page 90 (C-2-2013)
GTIN	4046356410731
Weight per piece (including packing)	7 g
Weight per piece (excluding packing)	7 g
Customs tariff number	79070000
Country of origin	DE

# SACC-M12-SCO NUT L 90 - Housing screw connection



1432460

<https://www.phoenixcontact.com/us/products/1432460>

## Technical data

### Notes

General	Lock nut is included in the scope of delivery
---------	---

### Product properties

Product type	Panel mounting base
Thread type	M12

### Material specifications

Material	Zinc die-cast (nickel-plated)
Seal material	EPDM HNBR
Material of grip body	Zinc die-cast, nickel-plated
Contact material	CuZn
Contact surface material	Ni/Au
Contact carrier material	PA 6.6
Material for screw connection	Zinc die-cast, nickel-plated

### Cable/line

Ambient temperature (operation)	-40 °C ... 85 °C (cable, fixed installation) -25 °C ... 85 °C (Cable, flexible installation)
---------------------------------	---

### Environmental and real-life conditions

#### Ambient conditions

Degree of protection (when plugged in)	IP67 (correctly plugged in and locked)
Degree of protection	IP67 (correctly plugged in and locked)
Ambient temperature (operation)	-25 °C ... 85 °C (Plug / socket) -40 °C ... 85 °C (without mechanical actuation) -25 °C ... 85 °C (Cable, flexible installation) -40 °C ... 85 °C (cable, fixed installation)

### Standards and regulations

#### M12

Standards/specifications	IEC 61076-2-101
--------------------------	-----------------

### Mounting

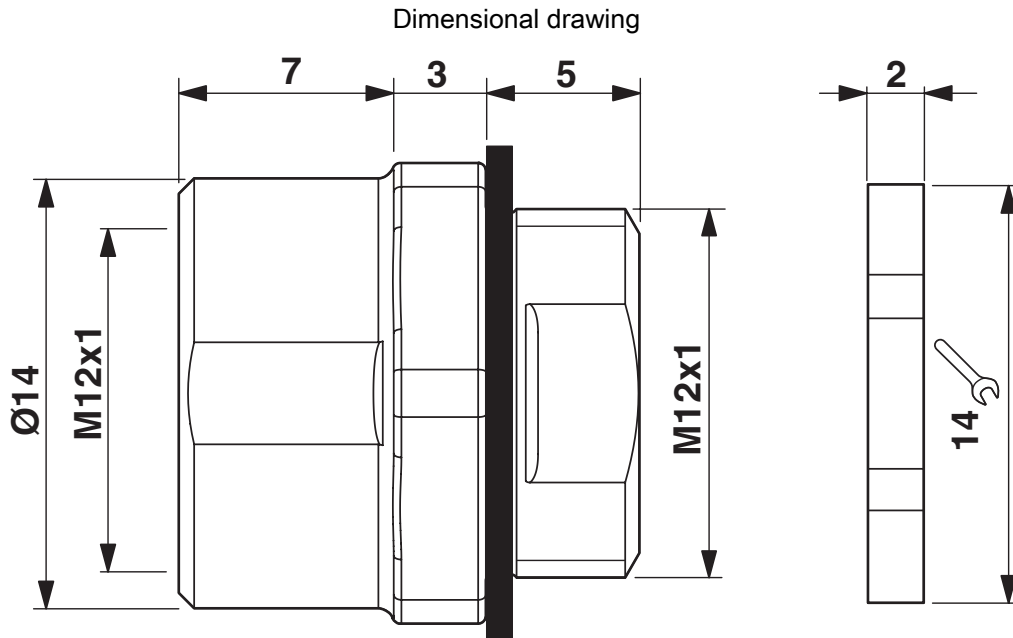
Mounting type	Front mounting M12 x 1
---------------	------------------------

# SACC-M12-SCO NUT L 90 - Housing screw connection

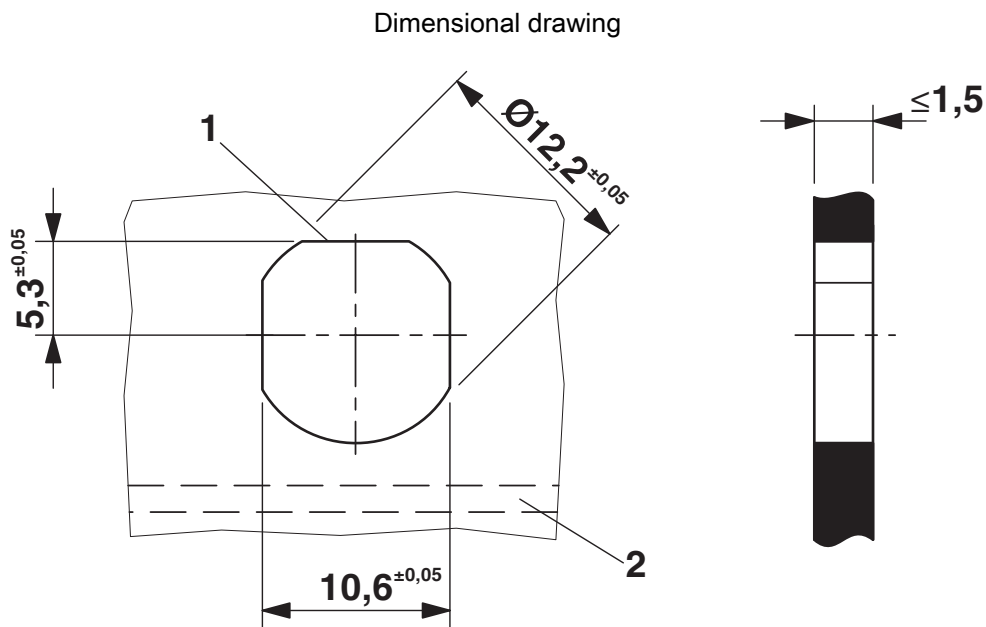
1432460

<https://www.phoenixcontact.com/us/products/1432460>

## Drawings



Dimensional drawing



Housing cutout for M12 fastening thread, mounting panel with feed-through hole (alternative with surface as protection against rotation)

# SACC-M12-SCO NUT L 90 - Housing screw connection



1432460

<https://www.phoenixcontact.com/us/products/1432460>

## Classifications

### ECLASS

ECLASS-11.0	27440224
ECLASS-12.0	27440224
ECLASS-13.0	27440224

### ETIM

ETIM 9.0	EC003556
----------	----------

### UNSPSC

UNSPSC 21.0	39121400
-------------	----------

# SACC-M12-SCO NUT L 90 - Housing screw connection



1432460

<https://www.phoenixcontact.com/us/products/1432460>

## Environmental product compliance

REACH SVHC	Lead 7439-92-1
China RoHS	Environmentally Friendly Use Period = 50 years
	For information on hazardous substances, refer to the manufacturer's declaration available under "Downloads"

Phoenix Contact 2023 © - all rights reserved

<https://www.phoenixcontact.com>

Phoenix Contact USA  
586 Fulling Mill Road  
Middletown, PA 17057, United States  
(+717) 944-1300  
[info@phoenixcon.com](mailto:info@phoenixcon.com)