

# SACC-M12-SCO NUT - Housing screw connection



1552243

<https://www.phoenixcontact.com/us/products/1552243>

Please be informed that the data shown in this PDF document is generated from our online catalog. Please find the complete data in the user documentation. Our general terms of use for downloads are valid.



Housing screw connection, Socket, M12-SPEEDCON, Front mounting, M12 x 1, Alternative product in accordance with RoHS II without Exemption 6c (Pb <0.1%) item no.: 1237399

## Your advantages

- Easy device integration, thanks to mechanical port screw connections with threaded fastening
- Flexible PCB assembly: two-piece connectors for wave and THR soldering
- SPEEDCON fast locking system reduces cabling times

## Commercial data

Item number	1552243
Packing unit	1 pc
Minimum order quantity	60 pc
Sales key	AB23
Product key	ABQACH
Catalog page	Page 258 (C-2-2013)
GTIN	4046356162111
Weight per piece (including packing)	6.65 g
Weight per piece (excluding packing)	6.21 g
Customs tariff number	79070000
Country of origin	DE

# SACC-M12-SCO NUT - Housing screw connection



1552243

<https://www.phoenixcontact.com/us/products/1552243>

## Technical data

### Notes

General	The electrical and mechanical data specified assume that the connector pair is correctly locked and mounted. If the connector is unlocked and if there is a danger of contamination, the connector must be sealed using a protective cap > IP54. Influences arising from litz wires, cables or PCB assembly must also be taken into consideration.
General	Lock nut is included in the scope of delivery

### Product properties

Product type	Panel mounting base
Thread type	M12

### Material specifications

Material	Zinc die-cast (nickel-plated)
Seal material	EPDM
Material for screw connection	Brass, nickel-plated

### Connector

#### Connection 1

Head design	Socket
Head thread type	M12
Head locking type	SPEEDCON

### Mechanical properties

#### Mechanical data

Insertion/withdrawal cycles	> 100
-----------------------------	-------

### Environmental and real-life conditions

#### Ambient conditions

Degree of protection (when plugged in)	IP67 (correctly plugged in and locked)
Degree of protection	IP67 (correctly plugged in and locked) IP67, when in locked state
Ambient temperature (operation)	-25 °C ... 85 °C (Plug / socket) -40 °C ... 85 °C (without mechanical actuation)

### Standards and regulations

#### M12

Standard designation	M12 connector
Standards/specifications	IEC 61076-2-101

### Mounting

# SACC-M12-SCO NUT - Housing screw connection



1552243

<https://www.phoenixcontact.com/us/products/1552243>

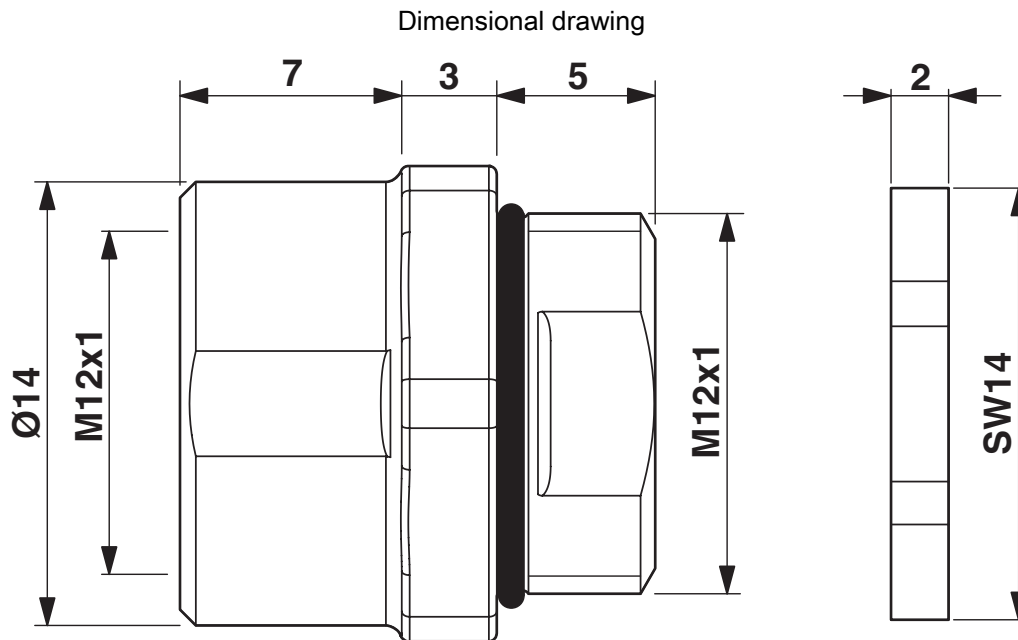
Mounting type	Front mounting M12 x 1
---------------	------------------------

# SACC-M12-SCO NUT - Housing screw connection

1552243

<https://www.phoenixcontact.com/us/products/1552243>

## Drawings



Housing cut-out for two-part M12 flush-type connectors with THR and wave soldering connection, version 1

# SACC-M12-SCO NUT - Housing screw connection



1552243

<https://www.phoenixcontact.com/us/products/1552243>

## Classifications

### ECLASS

ECLASS-11.0	27440224
ECLASS-12.0	27440224
ECLASS-13.0	27440224

### ETIM

ETIM 9.0	EC003556
----------	----------

### UNSPSC

UNSPSC 21.0	39121400
-------------	----------

# SACC-M12-SCO NUT - Housing screw connection



1552243

<https://www.phoenixcontact.com/us/products/1552243>

## Environmental product compliance

REACH SVHC	Lead 7439-92-1
China RoHS	Environmentally Friendly Use Period = 50 years
	For information on hazardous substances, refer to the manufacturer's declaration available under "Downloads"

Phoenix Contact 2023 © - all rights reserved

<https://www.phoenixcontact.com>

Phoenix Contact USA  
586 Fulling Mill Road  
Middletown, PA 17057, United States  
(+717) 944-1300  
[info@phoenixcon.com](mailto:info@phoenixcon.com)