

# PTFIX 1,5-F - Flange



1049503

<https://www.phoenixcontact.com/us/products/1049503>

Please be informed that the data shown in this PDF document is generated from our online catalog. Please find the complete data in the user documentation. Our general terms of use for downloads are valid.



Flange, With screw fixing, for direct mounting of the 1.5 mm<sup>2</sup> FIX blocks, depth: 17.7 mm, width: 7.7 mm, height: 21.6 mm, color: gray, mounting type: Screw mounting

## Your advantages

- Easy marking options

## Commercial data

Item number	1049503
Packing unit	30 pc
Minimum order quantity	30 pc
Sales key	BE09
Product key	BEAZ11
Catalog page	Page 428 (C-1-2019)
GTIN	4055626661087
Weight per piece (including packing)	1.65 g
Weight per piece (excluding packing)	1.6 g
Customs tariff number	85369010
Country of origin	PL

# PTFIX 1,5-F - Flange

1049503

<https://www.phoenixcontact.com/us/products/1049503>



## Technical data

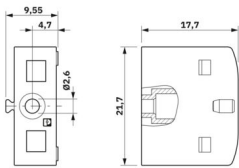
### Product properties

Product type	Mounting material
--------------	-------------------

### Connection data

Tightening torque	0.2 Nm
-------------------	--------

### Dimensions

Dimensional drawing	
Width	7.7 mm
Height	21.6 mm
Depth	17.7 mm
Hole diameter	4.7 mm

### Material specifications

Color	gray (RAL 7042)
Material	PA
Flammability rating according to UL 94	V0

### Environmental and real-life conditions

#### Ambient conditions

Ambient temperature (operation)	-60 °C ... 110 °C (Operating temperature range incl. self-heating; for max. short-term operating temperature, see RTI Elec.)
Ambient temperature (storage/transport)	-25 °C ... 60 °C (for a short time, not exceeding 24 h, -60 °C to +70 °C)
Ambient temperature (assembly)	-5 °C ... 70 °C
Ambient temperature (actuation)	-5 °C ... 70 °C
Permissible humidity (operation)	20 % ... 90 %
Permissible humidity (storage/transport)	30 % ... 70 %

### Mounting

Mounting type	Screw mounting
---------------	----------------

# PTFIX 1,5-F - Flange

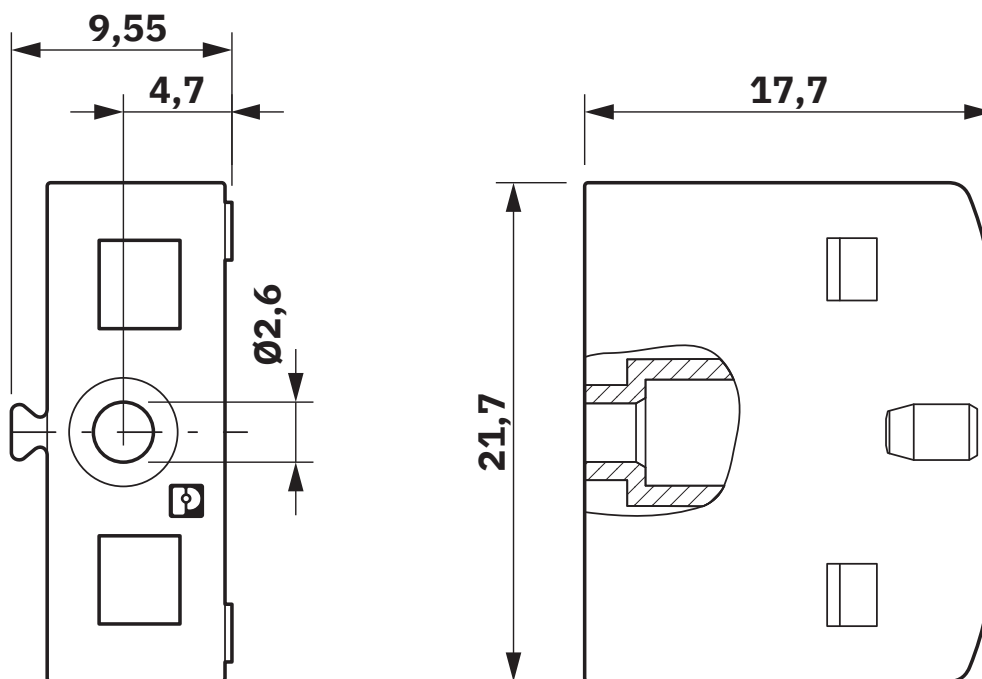
1049503

<https://www.phoenixcontact.com/us/products/1049503>



## Drawings

### Dimensional drawing



# PTFIX 1,5-F - Flange

1049503

<https://www.phoenixcontact.com/us/products/1049503>



## Approvals

To download certificates, visit the product detail page: <https://www.phoenixcontact.com/us/products/1049503>



**EAC**

Approval ID: EACKZ 08593

# PTFIX 1,5-F - Flange

1049503

<https://www.phoenixcontact.com/us/products/1049503>



## Classifications

### ECLASS

ECLASS-11.0	27370419
ECLASS-12.0	27370419
ECLASS-13.0	27250302

### ETIM

ETIM 9.0	EC001041
----------	----------

### UNSPSC

UNSPSC 21.0	39121400
-------------	----------

# PTFIX 1,5-F - Flange



1049503

<https://www.phoenixcontact.com/us/products/1049503>

## Environmental product compliance

### EU RoHS

Fulfills EU RoHS substance requirements	Yes, No exemptions
---	--------------------

### China RoHS

Environment friendly use period (EFUP)	EFUP-E
	No hazardous substances above the limits

### EU REACH SVHC

REACH candidate substance (CAS No.)	No substance above 0.1 wt%
-------------------------------------	----------------------------

Phoenix Contact 2025 © - all rights reserved  
<https://www.phoenixcontact.com>

Phoenix Contact USA  
586 Fulling Mill Road  
Middletown, PA 17057, United States  
(+717) 944-1300  
[info@phoenixcon.com](mailto:info@phoenixcon.com)