

SI-M1A - Mounting frame

1404493

<https://www.phoenixcontact.com/us/products/1404493>



Please be informed that the data shown in this PDF document is generated from our online catalog. Please find the complete data in the user documentation. Our general terms of use for downloads are valid.



Mounting frame for one front plate/socket, plastic frame: black, plastic cover: transparent, closed with 3 mm two-way key bit and rotary knob, included.

Commercial data

Item number	1404493
Packing unit	1 pc
Minimum order quantity	1 pc
Sales key	BF70
Product key	BF7EAX
Catalog page	Page 708 (C-2-2019)
GTIN	4046356698269
Weight per piece (including packing)	118 g
Weight per piece (excluding packing)	118 g
Customs tariff number	39269097
Country of origin	DE

SI-M1A - Mounting frame

1404493

<https://www.phoenixcontact.com/us/products/1404493>

Technical data

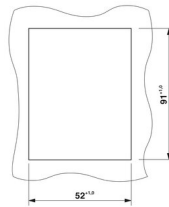
Notes

General	with enclosed rotary knob
---------	---------------------------

Product properties

Product type	Mounting frame
Type	for 1 front plate

Dimensions

Dimensional drawing	
Width	66 mm
Depth	34.5 mm
Length	127 mm

Installation dimensions

Width of the assembly cutout	52 mm
Length of the assembly cutout	91 mm

Material specifications

Material	PBT
Flammability rating according to UL 94	V0

Environmental and real-life conditions

Ambient conditions

Degree of protection	IP65
Ambient temperature (operation)	-30 °C ... 70 °C
Ambient temperature (storage/transport)	-30 °C ... 80 °C

Mounting

Assembly instructions	Suitable for panel thicknesses 1 mm ... 5 mm
-----------------------	--

SI-M1A - Mounting frame

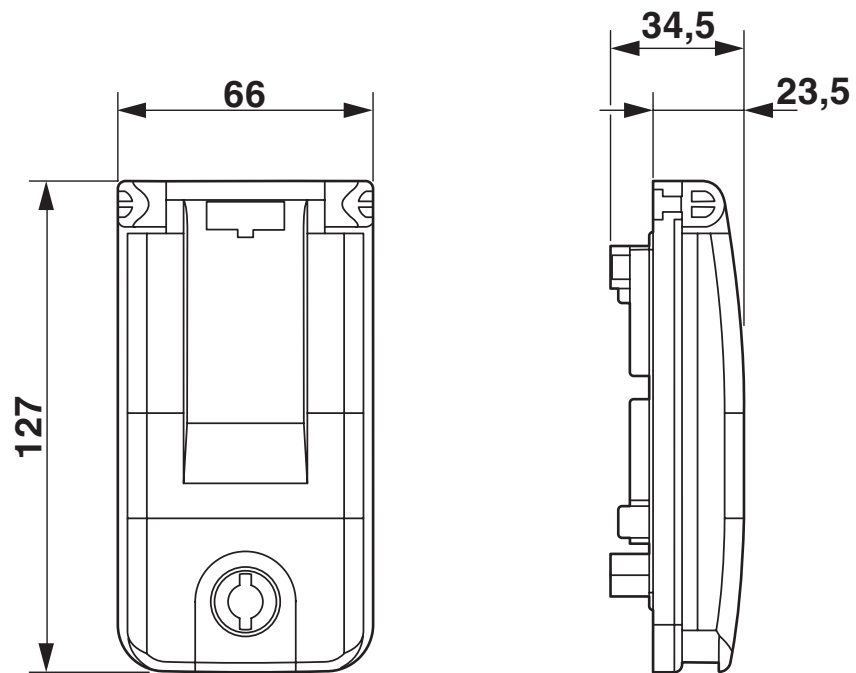
1404493

<https://www.phoenixcontact.com/us/products/1404493>



Drawings

Dimensional drawing



Dimensional drawing

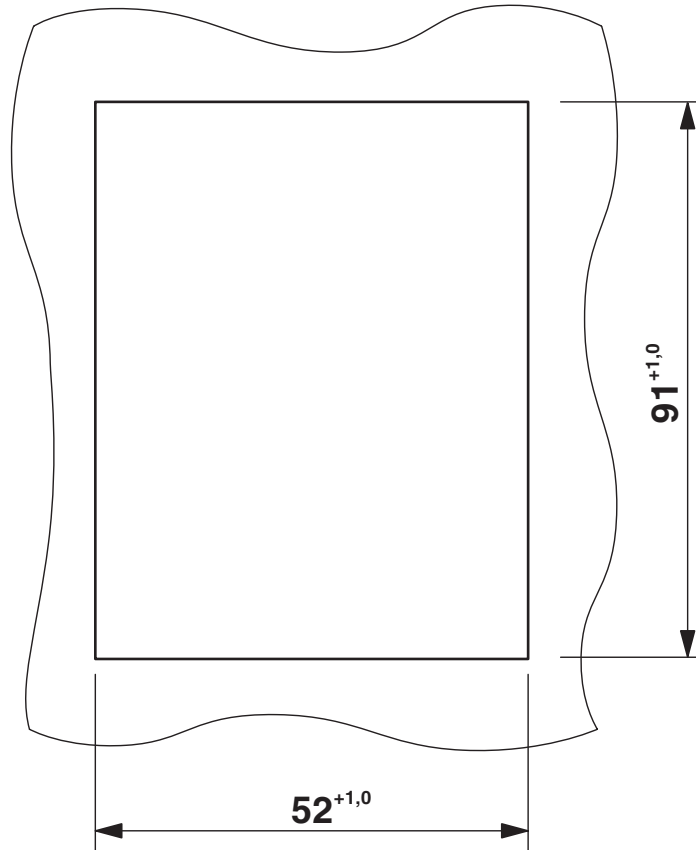
SI-M1A - Mounting frame

1404493

<https://www.phoenixcontact.com/us/products/1404493>



Dimensional drawing



Mounting cutout

SI-M1A - Mounting frame



1404493

<https://www.phoenixcontact.com/us/products/1404493>

Approvals

To download certificates, visit the product detail page: <https://www.phoenixcontact.com/us/products/1404493>



cUL Recognized
Approval ID: E255026



UL Recognized
Approval ID: E255026



EAC
Approval ID: RU C-DE.A*30.B.01102

cULus Recognized

SI-M1A - Mounting frame

1404493

<https://www.phoenixcontact.com/us/products/1404493>



Classifications

ECLASS

ECLASS-11.0	27182702
ECLASS-13.0	27182806

ETIM

ETIM 9.0	EC000456
----------	----------

UNSPSC

UNSPSC 21.0	31261500
-------------	----------

SI-M1A - Mounting frame

1404493

<https://www.phoenixcontact.com/us/products/1404493>



Environmental product compliance

China RoHS	Environmentally friendly use period: unlimited = EFUP-e
	No hazardous substances above threshold values

SI-M1A - Mounting frame

1404493

<https://www.phoenixcontact.com/us/products/1404493>

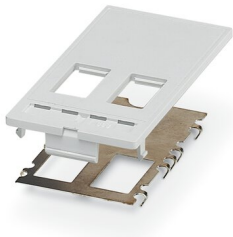


Accessories

VS-SI-FP-2RJ-MOD - Front plate

1656631

<https://www.phoenixcontact.com/us/products/1656631>



Front plate, plastic with shroud, for 2x RJ with modular system (Keystone)

VS-SI-FP-2DSUB9 - Front plate

1656563

<https://www.phoenixcontact.com/us/products/1656563>



Data front plate, plastic, for 2 x 9-pos. D-SUB, item 1656961 may be required for mounting D-SUB inserts

SI-M1A - Mounting frame

1404493

<https://www.phoenixcontact.com/us/products/1404493>



VS-SI-FP-DSUB9-DSUB25 - Front plate

1656589

<https://www.phoenixcontact.com/us/products/1656589>



Data front plate, plastic, for 1 x 9-pos. D-SUB and 1 x 25-pos. D-SUB, item 1656961 may be required for mounting D-SUB inserts

VS-SI-FP-BP - Front plate

1656657

<https://www.phoenixcontact.com/us/products/1656657>

Front plate



SI-M1A - Mounting frame

1404493

<https://www.phoenixcontact.com/us/products/1404493>



VS-SI-FP-2F - Front plate

1658532

<https://www.phoenixcontact.com/us/products/1658532>

Front plate, plastic, with two Freenet slots



VS-SI-BZ - Marker labels

1656660

<https://www.phoenixcontact.com/us/products/1656660>

Marker label, plastic, plate with 20 labels



SI-M1A - Mounting frame

1404493

<https://www.phoenixcontact.com/us/products/1404493>



UCT-EM (20X7) - Snap-in markers

0801494

<https://www.phoenixcontact.com/us/products/0801494>



Snap-in markers, Sheet, white, unlabeled, can be labeled with: TOPMARK NEO, TOPMARK LASER, BLUEMARK ID COLOR, BLUEMARK ID, BLUEMARK CLED, THERMOMARK PRIME, THERMOMARK CARD 2.0, THERMOMARK CARD, mounting type: snapped, lettering field size: 20 x 7 mm, Number of individual labels: 24

UC-EM (20X7) - Snap-in markers

0825499

<https://www.phoenixcontact.com/us/products/0825499>



Snap-in markers, Sheet, white, unlabeled, can be labeled with: BLUEMARK ID COLOR, BLUEMARK ID, BLUEMARK CLED, PLOTMARK, CMS-P1-PLOTTER, mounting type: snapped, lettering field size: 20 x 7 mm, Number of individual labels: 20

SI-M1A - Mounting frame

1404493

<https://www.phoenixcontact.com/us/products/1404493>



VS-FP-SD-D-RJ456A-BUBU - Front plate

1054542

<https://www.phoenixcontact.com/us/products/1054542>



Grounding contact socket, plastic, for Germany, including RJ45 gender changer (female/female, shielded), CAT6A

VS-SI-FP-2RJ45-5-MOD-BU/BU - Front plate

1657766

<https://www.phoenixcontact.com/us/products/1657766>



Front plate with contact inserts, plastic with shroud, 2x RJ socket/socket

SI-M1A - Mounting frame

1404493

<https://www.phoenixcontact.com/us/products/1404493>



SI-FP-R1A-U1A - Front plate

1404499

<https://www.phoenixcontact.com/us/products/1404499>



Front plate with contact inserts, plastic with shroud, 1 x USB (socket/socket) type A; 1 x RJ45, 8-pos. metal, CAT5e (socket/socket)

SI-FP-2R1A-U1A - Front plate

1404506

<https://www.phoenixcontact.com/us/products/1404506>



Front plate with contact inserts, plastic with shroud, 2 x RJ45, 8-pos. metal, CAT5e (socket/socket); 1 x USB (socket/socket) type A

SI-M1A - Mounting frame

1404493

<https://www.phoenixcontact.com/us/products/1404493>



SI-FP-R1A-D1E - Front plate

1404500

<https://www.phoenixcontact.com/us/products/1404500>



Front plate with contact inserts, plastic, 1 x RJ45, 8-pos. metal, CAT5e (socket/socket), 1 x D-SUB 9 blind cover

SI-FP-R1A-U1A/0,7 - Front plate

1404512

<https://www.phoenixcontact.com/us/products/1404512>



Front plate with contact inserts, plastic with shroud, 1 x USB (socket/socket/0.7 m cable) type A; 1 x RJ45, 8-pos. metal, CAT5e (socket/socket)

SI-M1A - Mounting frame

1404493

<https://www.phoenixcontact.com/us/products/1404493>



VS-FP-SD-FR-RJ456A-BUBU - Front plate

1054543

<https://www.phoenixcontact.com/us/products/1054543>



Grounding contact socket, plastic, for France, including RJ45 gender changer (female/female, shielded), CAT6A

SI-FP-R1A-U1A-D1A - Front plate

1404497

<https://www.phoenixcontact.com/us/products/1404497>



Front plate with contact inserts, plastic with shroud, 1 x RJ45, 8-pos. metal, CAT5e (socket/socket); 1 x USB (socket/socket) type A; 1 x 9-pos. D-SUB (socket/socket)

SI-M1A - Mounting frame

1404493

<https://www.phoenixcontact.com/us/products/1404493>



VS-SI-FP-2DSUB9-GC-BU/ST - Front plate

1657708

<https://www.phoenixcontact.com/us/products/1657708>



Front plate with contact inserts, plastic, 2x D-SUB 9, socket/pin

SI-FP-R1A-D1B-U1A/0,7 - Front plate

1404504

<https://www.phoenixcontact.com/us/products/1404504>



Front plate with contact inserts, plastic with shroud, 1 x USB (socket/socket/0.7 m cable) type A; 1 x 9-pos. D-SUB (socket/pin); 1 x RJ45, 8-pos. metal, CAT5e (socket/socket)

SI-M1A - Mounting frame

1404493

<https://www.phoenixcontact.com/us/products/1404493>



SI-FP-R1A-D1A - Front plate

1404496

<https://www.phoenixcontact.com/us/products/1404496>

Front plate with contact inserts, plastic with shroud, 1 x RJ45, 8-pos. metal, CAT5e (socket/socket); 1 x 9-pos. D-SUB (socket/socket)



VS-FP-SD-GB-RJ456A-BUBU - Front plate

1054544

<https://www.phoenixcontact.com/us/products/1054544>

Grounding contact socket, plastic, for England, including RJ45 gender changer (female/female, shielded), CAT6A



SI-M1A - Mounting frame

1404493

<https://www.phoenixcontact.com/us/products/1404493>



SI-FP-D1A - Front plate

1404501

<https://www.phoenixcontact.com/us/products/1404501>

Front plate with contact inserts, plastic, 1x D-SUB 9 (socket/socket)



VS-SI-SD-USA - Socket insert

1656521

<https://www.phoenixcontact.com/us/products/1656521>

Ground contact socket, plastic, for USA



SI-M1A - Mounting frame

1404493

<https://www.phoenixcontact.com/us/products/1404493>



VS-SI-SD-GB - Socket insert

1656547

<https://www.phoenixcontact.com/us/products/1656547>

Ground contact socket, plastic, for Great Britain



VS-SI-SD-CN - Socket insert

1422485

<https://www.phoenixcontact.com/us/products/1422485>

Socket insert, connection method: Screw connection, China



SI-M1A - Mounting frame

1404493

<https://www.phoenixcontact.com/us/products/1404493>



VS-SI-SD-IT - Socket insert

1656550

<https://www.phoenixcontact.com/us/products/1656550>

Socket insert, connection method: Screw connection, Italy



Phoenix Contact 2023 © - all rights reserved

<https://www.phoenixcontact.com>

Phoenix Contact USA
586 Fulling Mill Road
Middletown, PA 17057, United States
(+717) 944-1300
info@phoenixcon.com