

HC-M-RJ45-08-GC-F/F - Contact insert module



1419886

<https://www.phoenixcontact.com/us/products/1419886>

Please be informed that the data shown in this PDF document is generated from our online catalog. Please find the complete data in the user documentation. Our general terms of use for downloads are valid.



Contact insert module, number of positions: RJ45, type : RJ45, Socket, 48 V, 1 A, application: Data, Gender changer

Commercial data

Item number	1419886
Packing unit	1 pc
Minimum order quantity	1 pc
Sales key	BF62
Product key	AF7ACE
Catalog page	Page 591 (C-2-2019)
GTIN	4055626253244
Weight per piece (including packing)	27.1 g
Weight per piece (excluding packing)	9 g
Customs tariff number	85366990
Country of origin	PL

HC-M-RJ45-08-GC-F/F - Contact insert module



1419886

<https://www.phoenixcontact.com/us/products/1419886>

Technical data

Notes

General	Use the patch cable from the accessories list.
General	Connectors may be operated only when there is no load/voltage.

Mounting

Assembly note	To ensure correct use, installation in housing with IP54 protection or better is required IMPORTANT: Patch cables with a protector over the locking mechanism must be pretreated for use in this module. The protector over the locking mechanism must be extensively removed using a diagonal cutter so that the patch cable can be inserted without a collision with the neighboring module.
---------------	---

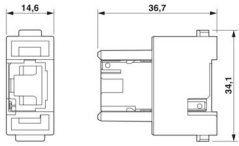
Product properties

Product type	Modular contact insert
Series	HC-M-RJ45
Application	Data
Sensor type	Ethernet
Number of positions	8
Connection profile	RJ45
Contact numbering	1 - 8
Number of module slots	1
Type	RJ45

Insulation characteristics

Overvoltage category	III
Degree of pollution	3

Dimensions

Dimensional drawing	
Width	34.2 mm
Height	36.7 mm
Length	14.6 mm

Mechanical characteristics

Minimum housing height	72 mm
------------------------	-------

Electrical properties

Rated voltage (III/3)	48 V
Rated surge voltage	0.8 kV

HC-M-RJ45-08-GC-F/F - Contact insert module



1419886

<https://www.phoenixcontact.com/us/products/1419886>

Rated current	1 A
Transmission characteristics (category)	CAT6 _A (IEC 60512-27-100:2008, TIA-568-C.2:2009)

Mechanical properties

Mechanical data

Insertion/withdrawal cycles	≥ 500
-----------------------------	-------

Material specifications

Flammability rating according to UL 94	V0
Contact material	Copper alloy
Contact surface material	Au
Contact carrier material	PC
Standards/regulations	PC

Environmental and real-life conditions

Ambient conditions

Ambient temperature (operation)	-40 °C ... 70 °C
---------------------------------	------------------

Standards and regulations

Testing

Standards/regulations	PC: Fire protection in rail vehicles - requirement sets R22, R23, and R24 acc. to DIN EN 45545-2 (Risk level HL1 - HL3)
-----------------------	---

HC-M-RJ45-08-GC-F/F - Contact insert module

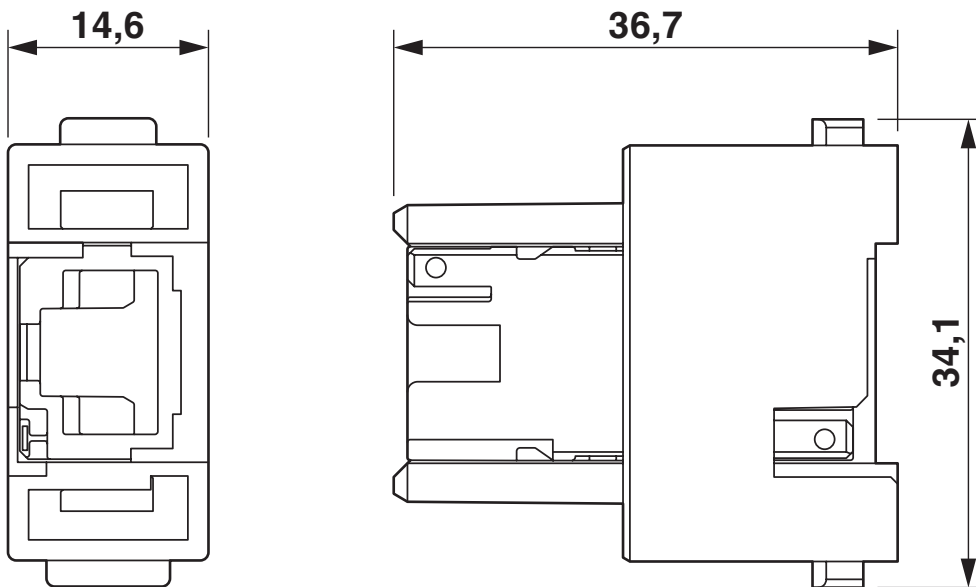


1419886

<https://www.phoenixcontact.com/us/products/1419886>

Drawings

Dimensional drawing



Female insert

HC-M-RJ45-08-GC-F/F - Contact insert module



1419886

<https://www.phoenixcontact.com/us/products/1419886>

Approvals

🔗 To download certificates, visit the product detail page: <https://www.phoenixcontact.com/us/products/1419886>

DNV

Approval ID: TAE000037S



CSA

Approval ID: 13631



UL Recognized

Approval ID: E118976

HC-M-RJ45-08-GC-F/F - Contact insert module



1419886

<https://www.phoenixcontact.com/us/products/1419886>

Classifications

ECLASS

ECLASS-13.0

27440218

ETIM

ETIM 9.0

EC000438

UNSPSC

UNSPSC 21.0

39121400

HC-M-RJ45-08-GC-F/F - Contact insert module



1419886

<https://www.phoenixcontact.com/us/products/1419886>

Environmental product compliance

EU RoHS

Fulfills EU RoHS substance requirements	Yes, No exemptions
---	--------------------

China RoHS

Environment friendly use period (EFUP)	EFUP-E
	No hazardous substances above the limits

EU REACH SVHC

REACH candidate substance (CAS No.)	No substance above 0.1 wt%
-------------------------------------	----------------------------

EF3.0 Climate Change

CO2e kg	1.328 kg CO2e
---------	---------------

Phoenix Contact 2025 © - all rights reserved
<https://www.phoenixcontact.com>

Phoenix Contact USA
586 Fulling Mill Road
Middletown, PA 17057, United States
(+717) 944-1300
info@phoenixcon.com