

CES-B24-SFC-M - Locking element



0801641

<https://www.phoenixcontact.com/us/products/0801641>

Please be informed that the data shown in this PDF document is generated from our online catalog. Please find the complete data in the user documentation. Our general terms of use for downloads are valid.

Metal locking element for size B24 snap frame (CES-B24-SF-PLBK). Transport protection.



Commercial data

| | |
|--------------------------------------|--------------------------------|
| Item number | 0801641 |
| Packing unit | 1 pc |
| Minimum order quantity | 1 pc |
| Note | Made to order (non-returnable) |
| Sales key | BF67 |
| Product key | BF7CBX |
| Catalog page | Page 677 (C-2-2019) |
| GTIN | 4046356674607 |
| Weight per piece (including packing) | 106.86 g |
| Weight per piece (excluding packing) | 106 g |
| Customs tariff number | 73269098 |
| Country of origin | DE |

CES-B24-SFC-M - Locking element



0801641

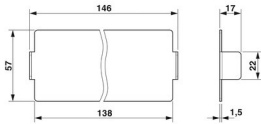
<https://www.phoenixcontact.com/us/products/0801641>

Technical data

Product properties

| | |
|--------------|-------------|
| Type | B24 |
| Product type | Cover plate |

Dimensions

| | |
|---------------------|--|
| Dimensional drawing |  |
| Width | 57 mm |
| Height | 17 mm |
| Length | 146 mm |

Material specifications

| | |
|----------|-------------------|
| Material | Steel, galvanized |
|----------|-------------------|

Environmental and real-life conditions

Ambient conditions

| | |
|---------------------------------|-------------------|
| Ambient temperature (operation) | -40 °C ... 120 °C |
|---------------------------------|-------------------|

Mounting

| | |
|-----------------------|--|
| Assembly instructions | suitable for article 0801647, V/C: 00 (version batch), see printing of the packaging label |
|-----------------------|--|

CES-B24-SFC-M - Locking element

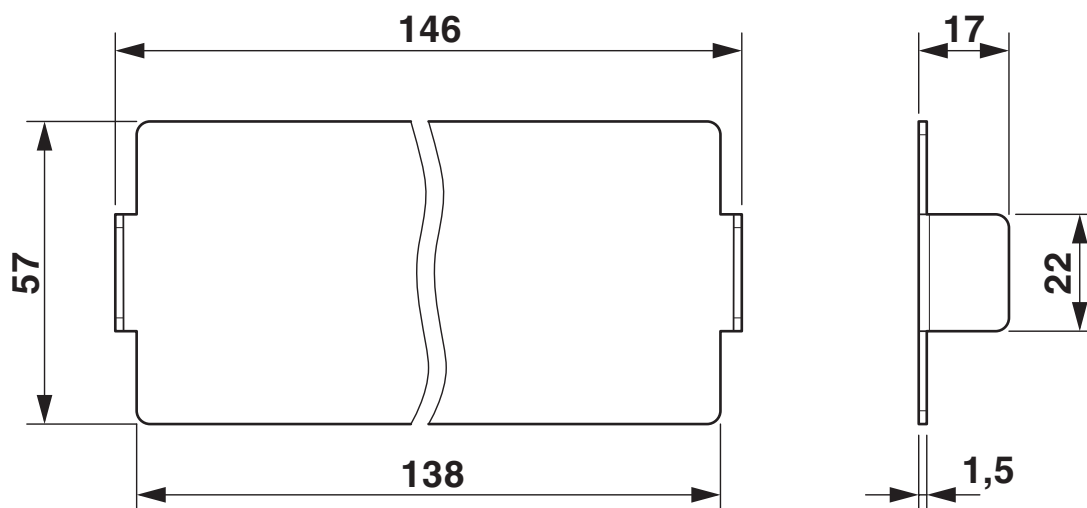


0801641

<https://www.phoenixcontact.com/us/products/0801641>

Drawings

Dimensional drawing



Dimensional drawing

CES-B24-SFC-M - Locking element



0801641

<https://www.phoenixcontact.com/us/products/0801641>

Classifications

ECLASS

| | |
|-------------|----------|
| ECLASS-11.0 | 27440192 |
| ECLASS-13.0 | 27440192 |

UNSPSC

| | |
|-------------|----------|
| UNSPSC 21.0 | 39121421 |
|-------------|----------|

CES-B24-SFC-M - Locking element



0801641

<https://www.phoenixcontact.com/us/products/0801641>

Environmental product compliance

| | |
|------------|---|
| China RoHS | Environmentally friendly use period: unlimited = EFUP-e |
| | No hazardous substances above threshold values |

Phoenix Contact 2023 © - all rights reserved
<https://www.phoenixcontact.com>

Phoenix Contact USA
586 Fulling Mill Road
Middletown, PA 17057, United States
(+717) 944-1300
info@phoenixcon.com