

PLD M 160 W-95/105 196 - LED machine light



2702475

<https://www.phoenixcontact.com/us/products/2702475>

Please be informed that the data shown in this PDF document is generated from our online catalog. Please find the complete data in the user documentation. Our general terms of use for downloads are valid.



LED machine light, 24 V DC, emission angle: 95 °/105 °, length: 196 mm, degree of protection: IP67, can be swiveled, including mounting accessories

Product description

This LED machine light is designed to provide illumination inside or on machinery. Due to the narrow design, it can be mounted even where space is at a premium. In the light holder supplied, the light can swivel and the lighting can therefore be optimally aligned. The satin-finished plastic cover prevents glare for the machine operator.

Your advantages

- Narrow design enables mounting even in confined spaces
- Ready to connect by means of punched-on 3 m supply line
- Focused illumination, thanks to swivel action
- IP67 protection enables use even in wet environments
- ETL approval permits use on the North American market
- Particularly economical thanks to energy-efficient LED technology and an LED service life of at least 50 000 h

Commercial data

Item number	2702475
Packing unit	1 pc
Minimum order quantity	1 pc
Sales key	DR08
Product key	DRL221
Catalog page	Page 502 (C-6-2019)
GTIN	4055626213682
Weight per piece (including packing)	330 g
Weight per piece (excluding packing)	3,278 g
Customs tariff number	94054239
Country of origin	DE

PLD M 160 W-95/105 196 - LED machine light



2702475

<https://www.phoenixcontact.com/us/products/2702475>

Technical data

Product properties

Product type	Light
Mounting position	any
Application	Machine

Electrical properties

Supply: Module electronics

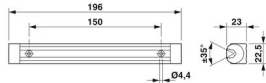
Connection method	open cable end
Cable length	approx. 3 m
Supply voltage	24 V DC
Supply voltage range	22 V DC ... 26 V DC
Current consumption	typ. 0.15 A (at 24 V DC)
Power consumption	approx. 3.5 W (at 24 V DC)
Protective circuit	Surge protection; Suppressor diode, 28 V DC Reverse polarity protection; Polarity protection diode

Signaling

Light properties

Source of light type	LED
Number of LEDs	6
Service life, lighting appliance	50,000 h (L70)
Color temperature	6600 K \pm 10 %
Color rendering index	75
Luminous flux	approx. 150 lm (Net luminous flux)
Luminous efficacy	approx. 43 lm/W
Illumination	max. 206 lx (50 cm distance) min. 24 lx (Distance of 50 cm over 1 m ² area)
Average illumination	89 lx (Distance of 50 cm over 1 m ² area)
Emission angle	95 ° (C0-C180) 105 ° (C90-C270)
Ordinance	Delegated Regulation (EU) 2019/2015
Energy efficiency class	G (1 light source)
Note	This product contains an energy efficiency class G light source.

Dimensions

Dimensional drawing	
Width	22.5 mm

PLD M 160 W-95/105 196 - LED machine light



2702475

<https://www.phoenixcontact.com/us/products/2702475>

Height	23 mm
Length	196 mm

Material specifications

Color	aluminum color
-------	----------------

Environmental and real-life conditions

Ambient conditions

Ambient temperature (operation)	0 °C ... 40 °C
Degree of protection	IP67
Air pressure (operation)	69 kPa ... 102 kPa
Air pressure (storage/transport)	69 kPa ... 102 kPa
Ambient temperature (storage/transport)	-10 °C ... 50 °C
Permissible humidity (operation)	95 % (non-condensing)
Permissible humidity (storage/transport)	95 % (non-condensing)

Standards and regulations

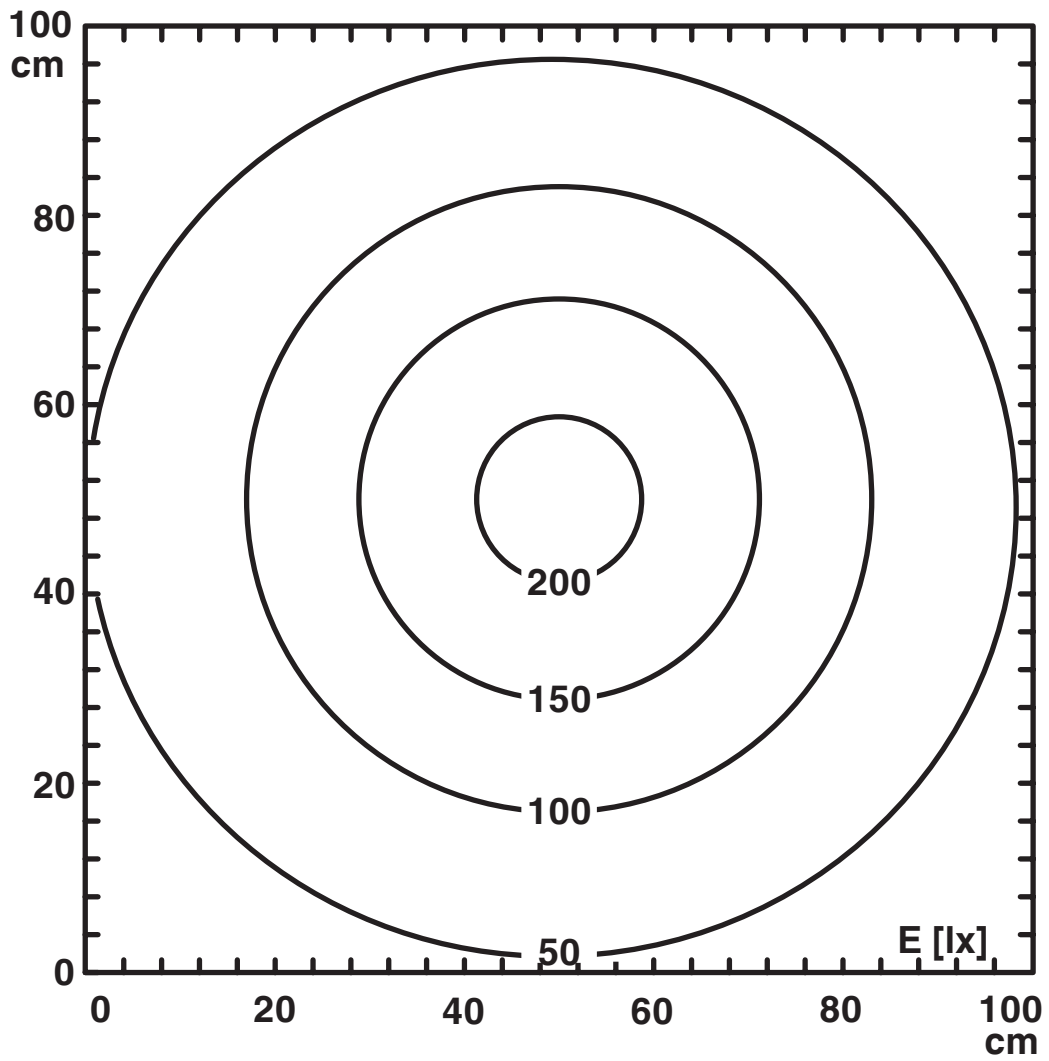
Protection class	III (IEC 61140, EN 61140, VDE 0140-1)
------------------	---------------------------------------

Mounting

Mounting type	Screw mounting
Mounting position	any

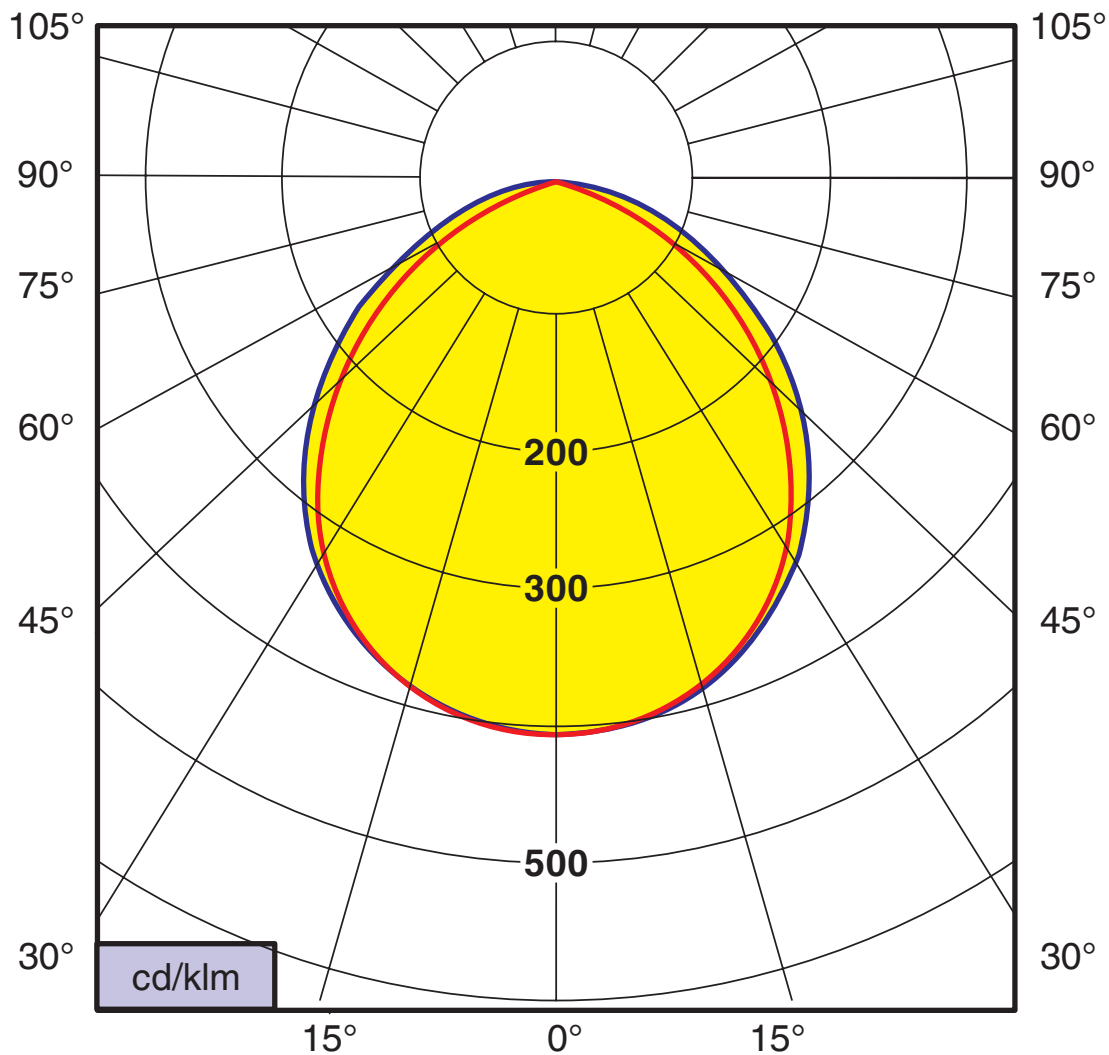
Drawings

Diagram



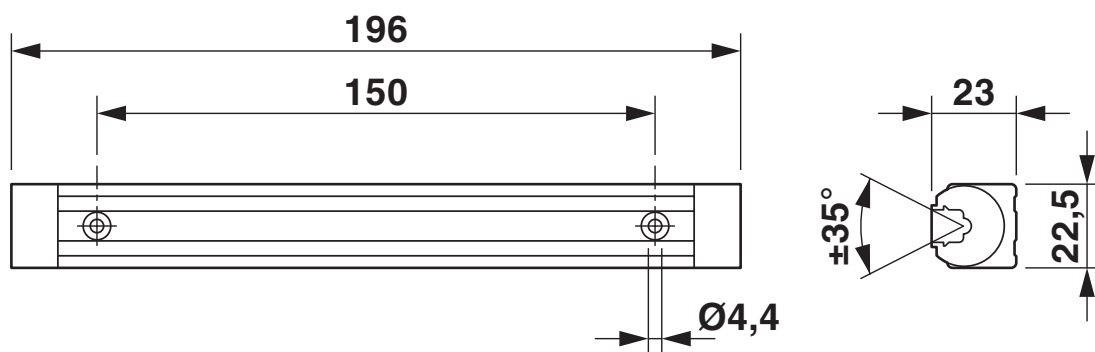
Illuminance distribution
(distance $d = 0.5$ m)

Diagram



Luminous intensity distribution (LID)
(red line: C0 - C180, blue line: C90 - C270)

Dimensional drawing



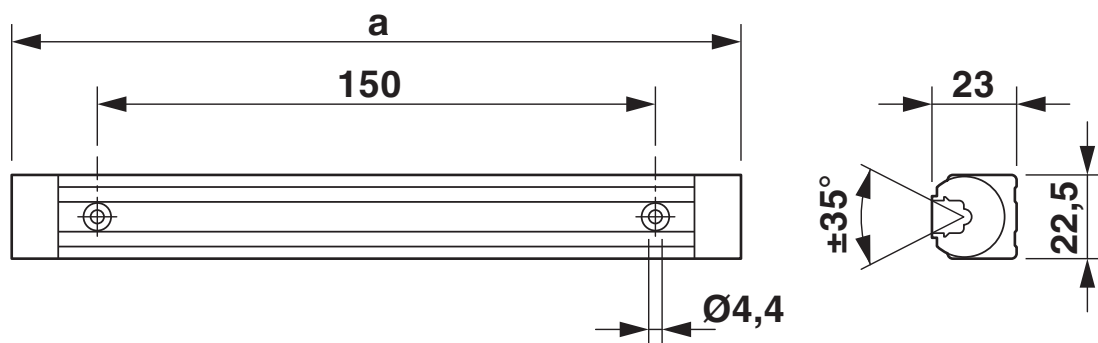
PLD M 160 W-95/105 196 - LED machine light

2702475

<https://www.phoenixcontact.com/us/products/2702475>



Dimensional drawing



PLD M 160 W-95/105 196 - LED machine light



2702475

<https://www.phoenixcontact.com/us/products/2702475>

Approvals

To download certificates, visit the product detail page: <https://www.phoenixcontact.com/us/products/2702475>



ETLus

Approval ID: LV-Lighting-Systems



cETL

Approval ID: Luminaires



EAC

Approval ID: TR_TS_D_12879-22



EAC-RoHS

Approval ID: RU D-DE.HB35.B.00391



ETLus

Approval ID: LV-Lighting-Systems



cETL

Approval ID: Luminaires

PLD M 160 W-95/105 196 - LED machine light



2702475

<https://www.phoenixcontact.com/us/products/2702475>

Classifications

ECLASS

ECLASS-11.0	27110345
ECLASS-12.0	27110345
ECLASS-13.0	27110345

ETIM

ETIM 9.0	EC000348
----------	----------

UNSPSC

UNSPSC 21.0	32151500
-------------	----------

PLD M 160 W-95/105 196 - LED machine light



2702475

<https://www.phoenixcontact.com/us/products/2702475>

Environmental product compliance

China RoHS	Environmentally Friendly Use Period = 50 years For information on hazardous substances, refer to the manufacturer's declaration available under "Downloads"
------------	--

Phoenix Contact 2023 © - all rights reserved
<https://www.phoenixcontact.com>

Phoenix Contact USA
586 Fulling Mill Road
Middletown, PA 17057, United States
(+717) 944-1300
info@phoenixcon.com