

AXL SE AI4 I 4-20 - Analog module



1088062

<https://www.phoenixcontact.com/us/products/1088062>

Please be informed that the data shown in this PDF document is generated from our online catalog. Please find the complete data in the user documentation. Our general terms of use for downloads are valid.



Axioline Smart Elements, Analog input module, Analog inputs: 4, 4 mA ... 20 mA, connection technology: 2-conductor, degree of protection: IP20

Product description

You can integrate Axioline Smart Elements into systems with the Smart Element interface. This Smart Element detects analog current signals.

Your advantages

- 4 analog input channels
- Connection of sensors in 2-conductor technology
- Current range: 4 mA ... 20 mA
- Data format: standardized representation
- Resolution: 12 bits
- Wire-break detection
- Device rating plate stored

Commercial data

Item number	1088062
Packing unit	1 pc
Minimum order quantity	1 pc
Sales key	DR05
Product key	DRIB41
GTIN	4055626887623
Weight per piece (including packing)	37 g
Weight per piece (excluding packing)	35 g
Customs tariff number	85389091
Country of origin	DE

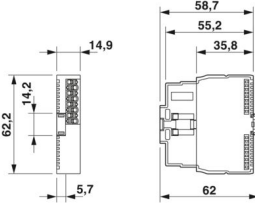
AXL SE AI4 I 4-20 - Analog module

1088062

<https://www.phoenixcontact.com/us/products/1088062>

Technical data

Dimensions

Dimensional drawing	
Width	14.9 mm
Height	62.2 mm
Depth	62 mm

Notes

Note on application

Note on application	Only for industrial use
---------------------	-------------------------

Material specifications

Color (Housing)	gray (RAL 7042)
-----------------	-----------------

Interfaces

Smart Element interface

Number of interfaces	1
Connection method	Card edge connector
Transmission speed	See system in which you use the Smart Element.
Start time until ready to operate	< 1000 ms

System properties

Programming data (LocalbusSlave)

Process data channel	64 bit
Input address area	8 Byte
Output address area	0 Byte

Fieldbus data telegram (PROFIBUS)

Required parameter data	24 Byte
Required configuration data	6 Byte

Input data

Analog:

Input name	Analog inputs
Description of the input	Single-ended inputs, current

AXL SE AI4 I 4-20 - Analog module



1088062

<https://www.phoenixcontact.com/us/products/1088062>

Number of inputs	4
Connection method	Push-in technology
Connection technology	2-conductor
Note regarding the connection technology	shielded, twisted pair
Current input signal	4 mA ... 20 mA
Input resistance current input	max. 60 Ω
A/D converter resolution	12 bit
Data formats	Standardized representation
Measured value representation	16 bits
Protective circuit	Transient protection

Product properties

Product type	I/O component
Product family	Axioline Smart Elements
Type	modular
Mounting position	See the system in which the Smart Element is used.

Insulation characteristics

Overvoltage category	II (IEC 60664-1, EN 60664-1)
Pollution degree	2 (IEC 60664-1, EN 60664-1)

Electrical properties

Maximum power dissipation for nominal condition	0.75 W
---	--------

Potentials: Communications power supply of the Smart Elements (U_{SE})

Supply voltage	using card edge connectors
----------------	----------------------------

Potentials: I/O supply (U_P)

Supply voltage	24 V DC (using card edge connectors)
Supply voltage range	19.2 V DC ... 30 V DC (including all tolerances, including ripple)
Current draw	max. 20 mA typ. 15 mA
Current consumption	min. 12 mA (without connected peripherals)
Protective circuit	Surge protection; See the system in which the Smart Element is used. Reverse polarity protection; Polarity protection diode
Protection	See the system in which the Smart Element is used.

Electrical isolation/isolation of the voltage ranges

Test voltage: Communications supply / 24 V supply (I/O)	500 V AC, 50 Hz, 1 min
Test voltage: Communications supply / functional ground	500 V AC, 50 Hz, 1 min
Test voltage: 24 V supply (I/O) / functional ground	500 V AC, 50 Hz, 1 min

Connection data

Connection technology

Connection name	I/O
-----------------	-----

AXL SE AI4 I 4-20 - Analog module



1088062

<https://www.phoenixcontact.com/us/products/1088062>

Note on the connection method	Please observe the information provided on conductor cross-sections in the "AxioLine Smart Elements" user manual.
-------------------------------	---

I/O

Connection method	Push-in connection
Note on the connection method	Please observe the information provided on conductor cross-sections in the "AxioLine Smart Elements" user manual.
Conductor cross-section, rigid	0.25 mm ² ... 1.5 mm ²
Conductor cross-section, flexible	0.25 mm ² ... 1.5 mm ²
Conductor cross-section AWG	24 ... 16
Conductor cross-section, flexible, with ferrule, with plastic sleeve	0.25 mm ² ... 1.5 mm ²
Conductor cross-section, flexible, with ferrule, without plastic sleeve	0.25 mm ² ... 1.5 mm ²
	0.25 mm ² ... 1.5 mm ²
Conductor cross-section, flexible, with ferrule, with plastic sleeve	0.25 mm ² ... 1.5 mm ²
Stripping length	8 mm

Environmental and real-life conditions

Ambient conditions

Ambient temperature (operation)	-25 °C ... 60 °C
Degree of protection	IP20
Air pressure (operation)	70 kPa ... 106 kPa (up to 3000 m above sea level)
Air pressure (storage/transport)	70 kPa ... 106 kPa (up to 3000 m above sea level)
Ambient temperature (storage/transport)	-40 °C ... 85 °C
Permissible humidity (operation)	5 % ... 95 % (non-condensing)
Permissible humidity (storage/transport)	5 % ... 95 % (non-condensing)

Mechanical test

Vibration resistance in accordance with EN 60068-2-6/IEC 60068-2-6	5g
Shock in accordance with EN 60068-2-27/IEC 60068-2-27	30g
Continuous shock in accordance with EN 60068-2-27/IEC 60068-2-27	10g

Standards and regulations

Protection class	III (IEC 61140, EN 61140, VDE 0140-1)
------------------	---------------------------------------

Mounting

Mounting type	Plug-in mounting (Smart Element slot)
Mounting position	See the system in which the Smart Element is used.

AXL SE AI4 I 4-20 - Analog module

1088062

<https://www.phoenixcontact.com/us/products/1088062>



Drawings

Dimensional drawing



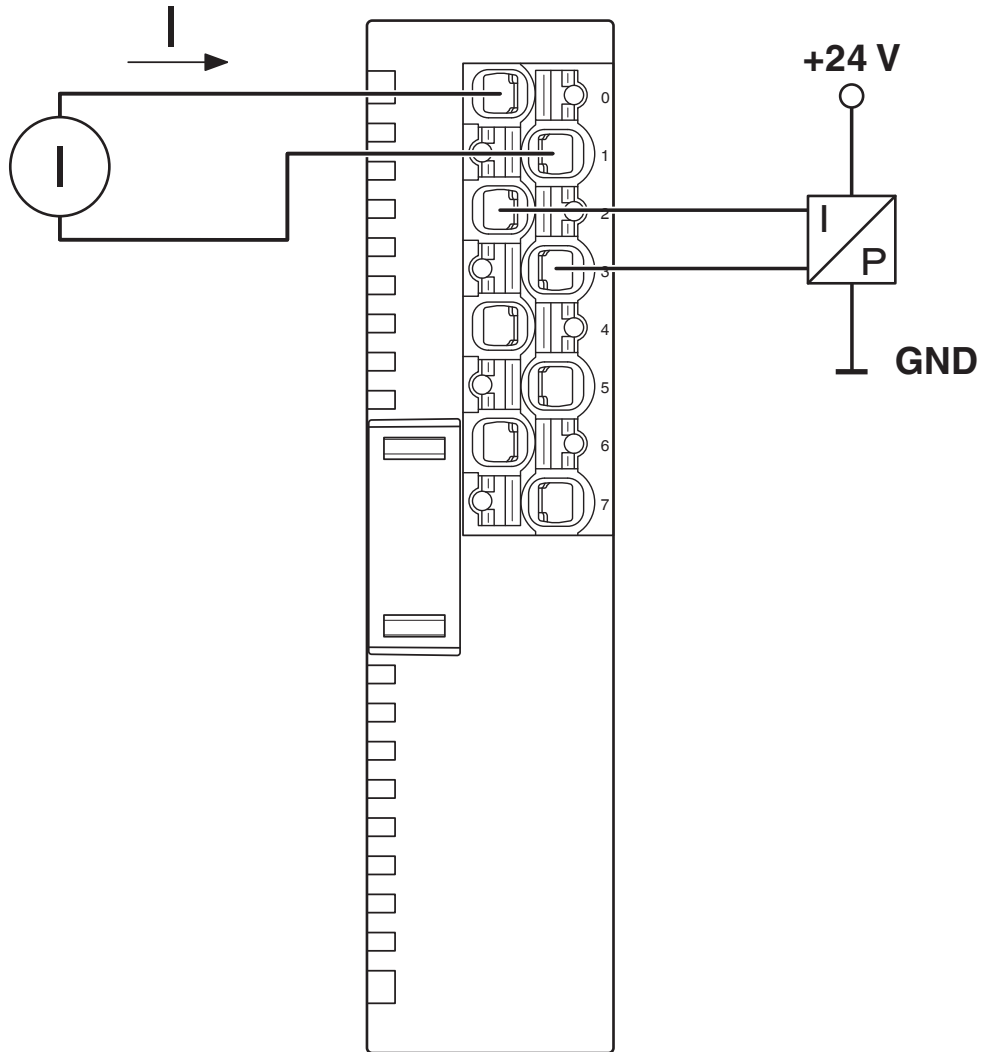
Dimensions

AXL SE AI4 I 4-20 - Analog module

1088062

<https://www.phoenixcontact.com/us/products/1088062>

Connection diagram



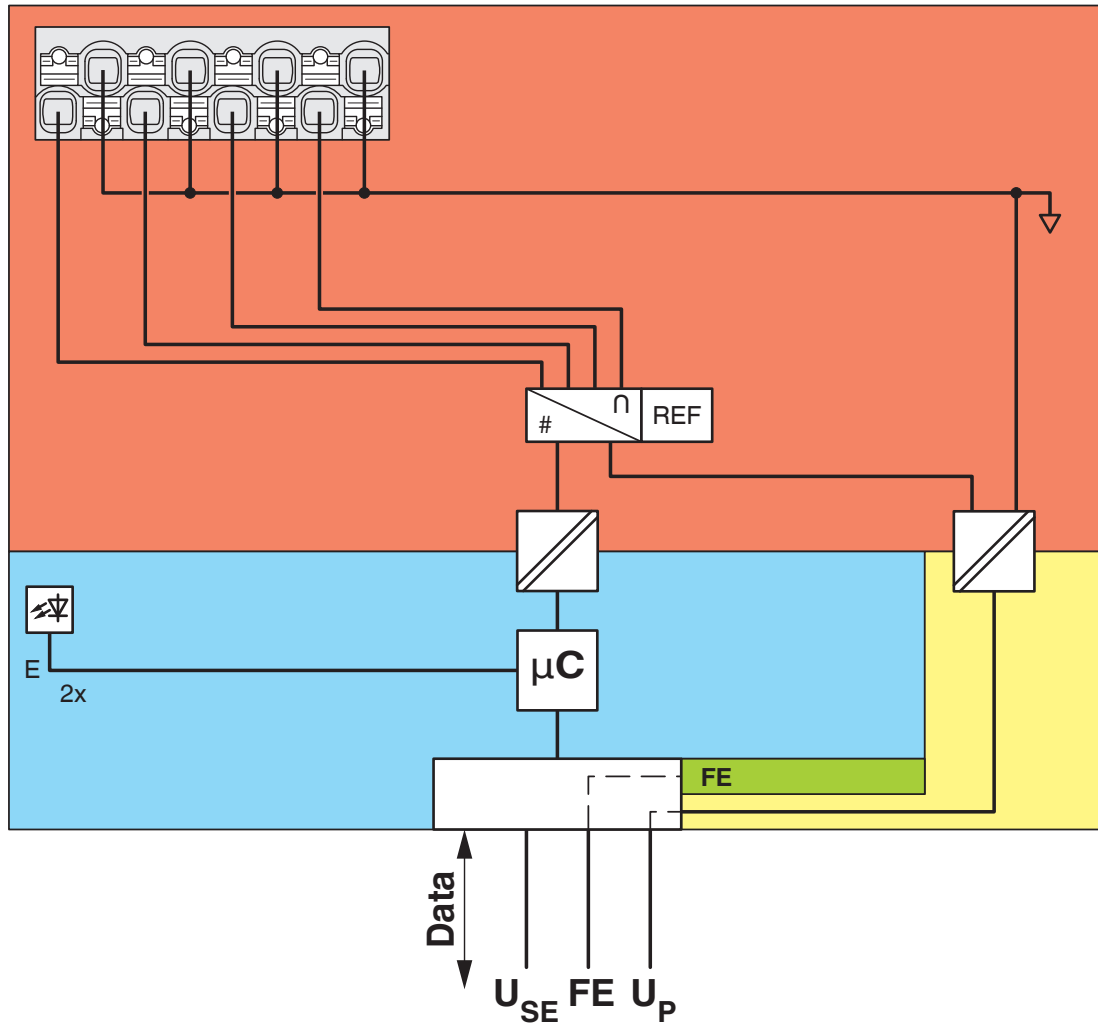
Connection example

AXL SE AI4 I 4-20 - Analog module

1088062

<https://www.phoenixcontact.com/us/products/1088062>

Block diagram



Internal wiring of the terminal points

AXL SE AI4 I 4-20 - Analog module



1088062

<https://www.phoenixcontact.com/us/products/1088062>

Approvals

To download certificates, visit the product detail page: <https://www.phoenixcontact.com/us/products/1088062>

DNV

Approval ID: TAA00003B0



LR

Approval ID: LR23402057TA



RINA

Approval ID: ELE263623XG

ABS

Approval ID: 24-2510075-PDA



cULus Listed

Approval ID: E238705

AXL SE AI4 I 4-20 - Analog module



1088062

<https://www.phoenixcontact.com/us/products/1088062>

Classifications

ECLASS

ECLASS-13.0	27242601
ECLASS-15.0	27242601

ETIM

ETIM 10.0	EC001596
-----------	----------

UNSPSC

UNSPSC 21.0	32151600
-------------	----------

AXL SE AI4 I 4-20 - Analog module



1088062

<https://www.phoenixcontact.com/us/products/1088062>

Environmental product compliance

EU RoHS

Fulfills EU RoHS substance requirements	Yes
Exemption	7(a), 7(c)-I, 7(c)-II

China RoHS

Environment friendly use period (EFUP)	EFUP-50
	An article-related China RoHS declaration table can be found in the download area for the respective article under "Manufacturer declaration". For all articles with EFUP-E, no China RoHS declaration table issued and required.

EU REACH SVHC

REACH candidate substance (CAS No.)	Lead(CAS: 7439-92-1)
SCIP	a05f4d76-89dc-40c5-8c0a-082642ddfb71

EF3.1 Climate Change

CO2e kg	2.086 kg CO2e
---------	---------------

Phoenix Contact 2026 © - all rights reserved
<https://www.phoenixcontact.com>

Phoenix Contact USA
586 Fulling Mill Road
Middletown, PA 17057, United States
(+717) 944-1300
info@phoenixcon.com