

AXL P BK PN - Bus coupler

1132800

<https://www.phoenixcontact.com/us/products/1132800>

Please be informed that the data shown in this PDF document is generated from our online catalog. Please find the complete data in the user documentation. Our general terms of use for downloads are valid.



Axioline P bus coupler for PROFINET. Connects to Axioline P I/O modules along the Axioline P local bus (includes power supply connector and bus base module).

Product description

The bus coupler is the link between a PROFINET network and the Axioline P system. Up to 63 Axioline P I/O modules can be connected to an existing PROFINET system using the bus coupler.

Commercial data

Item number	1132800
Packing unit	1 pc
Sales key	DR06
Product key	DRIP1A
GTIN	4063151062903
Weight per piece (including packing)	321.7 g
Weight per piece (excluding packing)	321.7 g
Customs tariff number	85176200
Country of origin	US

AXL P BK PN - Bus coupler

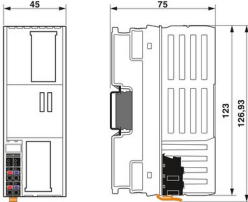


1132800

<https://www.phoenixcontact.com/us/products/1132800>

Technical data

Dimensions

Dimensional drawing	
Width	45 mm
Height	126.93 mm
Depth	75 mm
Note on dimensions	The depth applies when a TH 35-7.5 DIN rail is used (in accordance with EN 60715).

Notes

Utilization restriction

EMC note	EMC: class A product, see manufacturer's declaration in the download area
----------	---

Utilization restriction

CCcex note	Use in potentially explosive areas is not permitted in China.
------------	---

Material specifications

Color	gray
-------	------

Interfaces

Axioline P local bus

Connection method	Connection for bus base module
Transmission speed	100 Mbps

PROFINET

No. of channels	2
Connection method	RJ45 socket, auto negotiation and auto crossing
Transmission speed	100 Mbps (Full duplex)
Transmission physics	Ethernet in RJ45 twisted pair

Fieldbus: Local bus gateway

Max. number of local bus devices	63 (AXL P I/O modules. Consider the logic current consumed by the devices)
----------------------------------	--

System properties

System limits

Number of supported devices	max. 63 (per station)
-----------------------------	-----------------------

AXL P BK PN - Bus coupler



1132800

<https://www.phoenixcontact.com/us/products/1132800>

PROFINET

Device function	PROFINET device
-----------------	-----------------

Product properties

Type	block modular
Product type	I/O component
Product family	Axioline P
Mounting position	any
Scope of delivery	including bus base module and connectors

Insulation characteristics

Overvoltage category	II
Pollution degree	2

Electrical properties

Maximum power dissipation for nominal condition	5 W
---	-----

Potentials

Protective circuit	Surge protection of the supply voltage; electronic
	Polarity reversal protection of the supply voltage; electronic

Potentials: Supply of the bus coupler

Supply voltage	24 V DC (U_L)
Supply voltage range	19.2 V DC ... 30 V DC
Current draw	4.15 A (19.2 V DC)
	125 mA (24 V DC)

Potentials: Supply of the Axioline P local bus U_{Bus}

Supply voltage	5 V DC (via bus base module)
Current draw	3 A (via bus base module)

Potentials: Axioline P extension module supply voltage

Supply voltage	U_L (via bus base module)
Current draw	3 A (via bus base module)

Connection data

Connection technology

Connection name	Power supply
Note on the connection method	Please observe the information provided on conductor cross sections in the "Axioline P: system and installation" user manual.

Conductor connection

Connection method	Push-in connection
Conductor cross section rigid	0.2 mm ² ... 1.5 mm ²
Conductor cross section flexible	0.2 mm ² ... 1.5 mm ²
Conductor cross section AWG	24 ... 16

AXL P BK PN - Bus coupler



1132800

<https://www.phoenixcontact.com/us/products/1132800>

Stripping length	8 mm
Power supply	
Connection method	Push-in connection
Note on the connection method	Please observe the information provided on conductor cross sections in the "AxioLine P: system and installation" user manual.
Conductor cross section, rigid	0.2 mm ² ... 1.5 mm ²
Conductor cross section, flexible	0.2 mm ² ... 1.5 mm ²
Conductor cross section AWG	24 ... 16
Stripping length	8 mm

Environmental and real-life conditions

Ambient conditions

Degree of protection	IP20
Ambient temperature (operation)	-40 °C ... 70 °C (Mounting position: wall mounting on horizontal DIN rail)
Degree of protection	IP20
Air pressure (operation)	70 kPa ... 106 kPa (up to 2000 m above sea level)
Air pressure (storage/transport)	70 kPa ... 106 kPa (up to 2000 m above sea level)
Ambient temperature (storage/transport)	-40 °C ... 85 °C
Permissible humidity (operation)	5 % ... 95 % (non-condensing)
Permissible humidity (storage/transport)	5 % ... 95 % (non-condensing)

Standards and regulations

Protection class	III (IEC 61140, EN 61140, VDE 0140-1)
------------------	---------------------------------------

Approvals

ATEX

Identification	⊕ II 3 G Ex ec IIC T4 Gc
Certificate	IBExU 18ATEXB018 X

IECEX

Identification	Ex ec IIC T4 Gc
Certificate	IECEX IBE 18.0023X

UKCA Ex (UKEX)

Identification	II 3G Ex ec IIC T4 Gc X
Certificate	PxCAI22UKEx2316390X

Ex data

UL, USA / Canada	Class I, Div. 2, Groups A, B, C, D T4 Class I, Zone 2, IIC T4
------------------	--

Mounting

Mounting type	DIN rail mounting
Mounting position	any

AXL P BK PN - Bus coupler

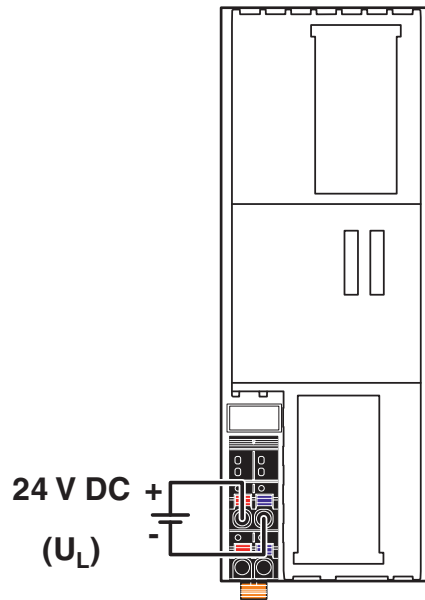
1132800

<https://www.phoenixcontact.com/us/products/1132800>

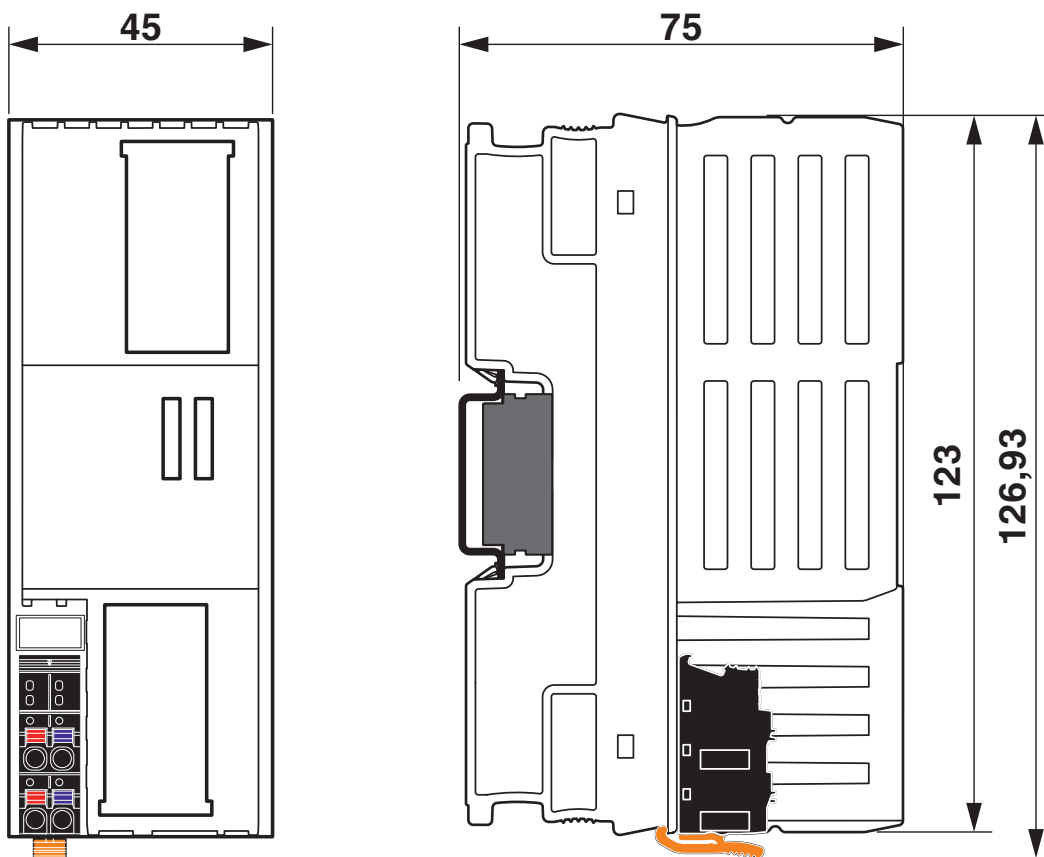


Drawings

Connection diagram



Dimensional drawing



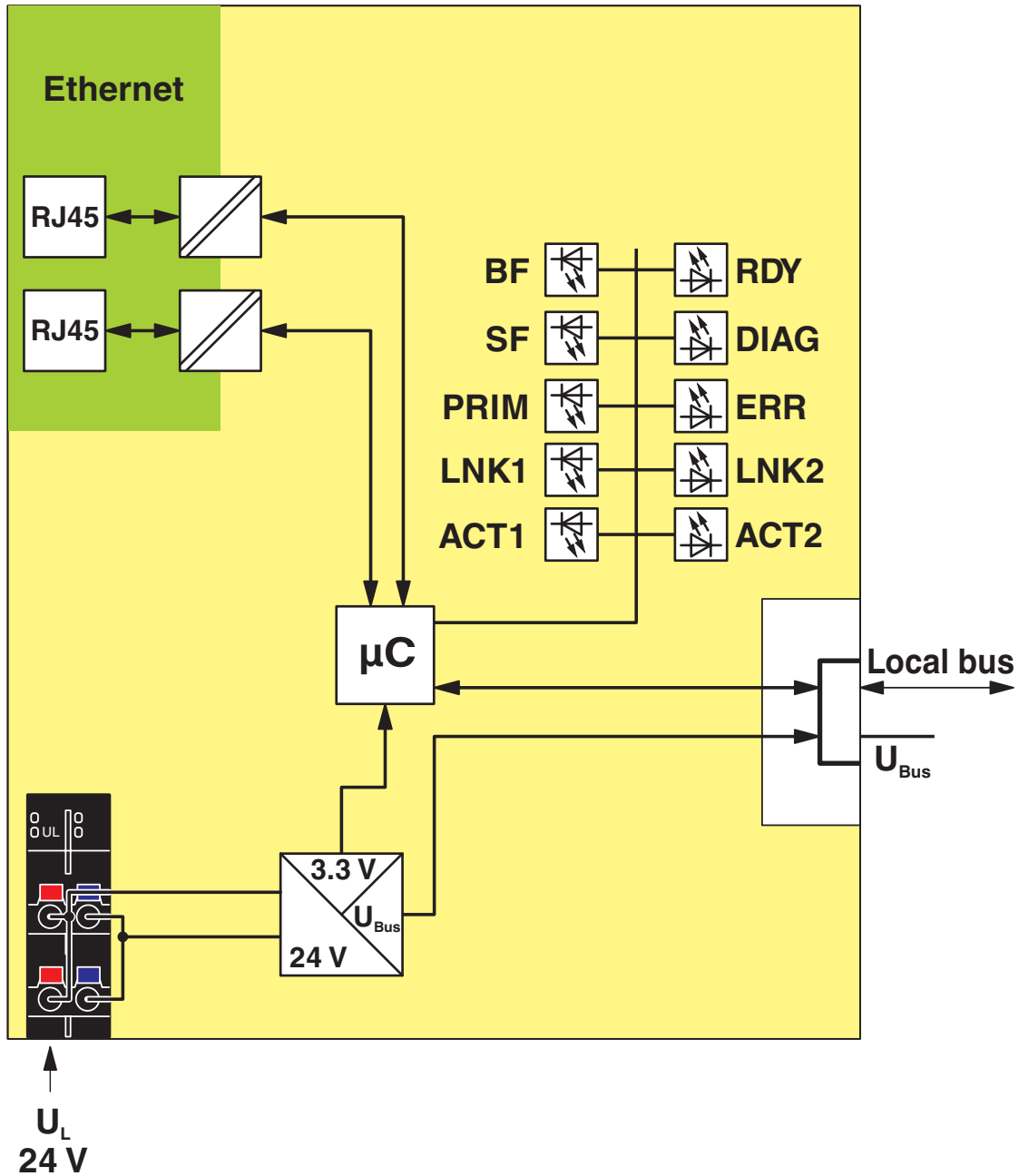
AXL P BK PN - Bus coupler

1132800

<https://www.phoenixcontact.com/us/products/1132800>



Block diagram



AXL P BK PN - Bus coupler



1132800

<https://www.phoenixcontact.com/us/products/1132800>

Approvals

To download certificates, visit the product detail page: <https://www.phoenixcontact.com/us/products/1132800>



EAC

Approval ID: RU C-DE.**08.B.00520



UL Listed

Approval ID: FILE E 238705



cUL Listed

Approval ID: FILE E 238705



IECEx

Approval ID: IECEx IBE 18.0023X



cUL Listed

Approval ID: FILE E 196811



UL Listed

Approval ID: FILE E 196811



ATEX

Approval ID: IBExU 18 ATEX B018 X



CCC

Approval ID: 2021122310114877

cULus Listed

cULus Listed

AXL P BK PN - Bus coupler

1132800

<https://www.phoenixcontact.com/us/products/1132800>



Classifications

ECLASS

ECLASS-11.0	27242608
ECLASS-12.0	27242608
ECLASS-13.0	27242608

ETIM

ETIM 9.0	EC001604
----------	----------

UNSPSC

UNSPSC 21.0	32151600
-------------	----------

AXL P BK PN - Bus coupler

1132800

<https://www.phoenixcontact.com/us/products/1132800>



Environmental product compliance

REACH SVHC	Lead 7439-92-1
China RoHS	Environmentally Friendly Use Period = 25;
	For information on hazardous substances, refer to the manufacturer's declaration available under "Downloads"

AXL P BK PN - Bus coupler

1132800

<https://www.phoenixcontact.com/us/products/1132800>

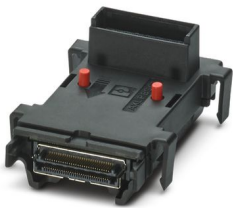


Accessories

AXL P BS G1 - Bus connector

1052430

<https://www.phoenixcontact.com/us/products/1052430>



Axioline P bus base module for housing type G1

AXL P TERM PAIR - Termination block

2316402

<https://www.phoenixcontact.com/us/products/2316402>



Axioline P terminator pair

AXL P BK PN - Bus coupler

1132800

<https://www.phoenixcontact.com/us/products/1132800>



AXL SHIELD SET - Shield connection

2700518

<https://www.phoenixcontact.com/us/products/2700518>

Axioline shield connection set (contains 2 shield bus holders and 2 SK 5 shield connection clamps)



AXL P TERM PAIR - Termination block

2316402

<https://www.phoenixcontact.com/us/products/2316402>

Axioline P terminator pair



AXL P BK PN - Bus coupler

1132800

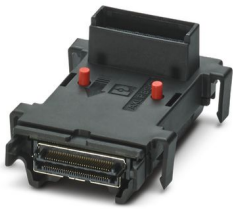
<https://www.phoenixcontact.com/us/products/1132800>



AXL P BS G1 - Bus connector

1052430

<https://www.phoenixcontact.com/us/products/1052430>



Axioline P bus base module for housing type G1

Phoenix Contact 2023 © - all rights reserved

<https://www.phoenixcontact.com>

Phoenix Contact USA
586 Fulling Mill Road
Middletown, PA 17057, United States
(+717) 944-1300
info@phoenixcon.com