

AXL P AI8 HART 1F - Analog module



1052429

<https://www.phoenixcontact.com/us/products/1052429>

Please be informed that the data shown in this PDF document is generated from our online catalog. Please find the complete data in the user documentation. Our general terms of use for downloads are valid.



Axioline P, Analog input module, Active analog inputs: 8 (HART), 4 mA ... 20 mA, connection technology: 2-conductor, transmission speed in the local bus: 100 Mbps, HART functionality, degree of protection: IP20

Product description

The module is an Axioline P I/O module for use in the Axioline P modular I/O system. The module is a modular I/O device that can be affixed to the Axioline P local bus, to communicate I/O data up to the Axioline P bus coupler, which forms the head of the station. The analog input I/O module with HART capabilities collects analog input and HART data from the field I/O terminals and makes this information available to the bus coupler through the Axioline P local bus. The active analog input module allows the connection of up to eight HART enabled, passive analog input signals. The module is fully hot-swappable on the Axioline P local bus, which also provides power to the module.

Your advantages

- Active analog input module
- Sources power for up to 8 HART enabled, passive analog input signals
- Connection of sensors in 2-conductor technology
- Current range: 4 mA ... 20 mA
- Can be used under extreme ambient conditions
- Temperature range: -40 °C ... +70 °C
- Hot-swappable

Commercial data

| | |
|--------------------------------------|---------------|
| Item number | 1052429 |
| Packing unit | 1 pc |
| Sales key | DR06 |
| Product key | DRIP41 |
| GTIN | 4055626676432 |
| Weight per piece (including packing) | 353 g |
| Weight per piece (excluding packing) | 249 g |
| Customs tariff number | 85176200 |
| Country of origin | US |

AXL P AI8 HART 1F - Analog module

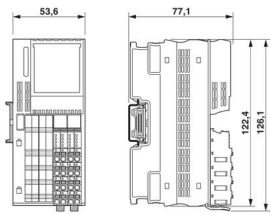


1052429

<https://www.phoenixcontact.com/us/products/1052429>

Technical data

Dimensions

| | |
|---------------------|--|
| Dimensional drawing |  |
| Width | 53.6 mm |
| Height | 126.1 mm |
| Depth | 77.14 mm |
| Note on dimensions | The depth applies when a TH 35-7.5 DIN rail is used (in accordance with EN 60715). |

Notes

| | |
|-------------------------|---|
| Utilization restriction | |
| EMC note | EMC: class A product, see manufacturer's declaration in the download area |
| Utilization restriction | |
| CCCEX note | Use in potentially explosive areas is not permitted in China. |

Material specifications

| | |
|-------|-------------------------|
| Color | traffic grey A RAL 7042 |
|-------|-------------------------|

Interfaces

| | |
|----------------------|-----------------|
| Axioline P local bus | |
| Connection method | Bus base module |
| Transmission speed | 100 Mbps |

Input data

| | |
|--|--|
| Analog | |
| Input name | Active analog inputs |
| Description of the input | HART enabled, passive analog input signals |
| Number of inputs | 8 (HART) |
| Connection method | Push-in connection |
| Connection technology | 2-conductor |
| Note regarding the connection technology | shielded, twisted pair |
| Current input signal | 4 mA ... 20 mA |
| Protective circuit | Polarity reversal protection of the inputs |

Product properties

AXL P AI8 HART 1F - Analog module



1052429

<https://www.phoenixcontact.com/us/products/1052429>

| | |
|-------------------|-------------------------------|
| Type | block modular |
| Product type | I/O component |
| Product family | Axioline P |
| Mounting position | any (no temperature derating) |

Insulation characteristics

| | |
|----------------------|----|
| Overvoltage category | II |
| Pollution degree | 2 |

Electrical properties

Potentials: Supply of the logic voltage U_L

| | |
|----------------------|--|
| Supply voltage range | 19.2 V DC ... 30 V DC (via bus base module (U_L) at AXL P BK...) |
|----------------------|--|

Potentials: Supply of the Axioline P local bus U_{BUS}

| | |
|----------------|------------------------------|
| Supply voltage | 5 V DC (via bus base module) |
| Current draw | max. 135 mA |

Potentials: Axioline P extension module supply voltage

| | |
|----------------|-----------------------------------|
| Supply voltage | U_L (via bus base module) |
| Current draw | max. 260 mA (via bus base module) |

Electrical isolation/isolation of the voltage ranges

| | |
|---|--------------------------|
| Test voltage: 5 V supply of the local bus (U_{BUS}) / functional ground | 500 V AC, 62 Hz, 1 min. |
| Test voltage: 24 V supply (I/O) / functional ground | 500 V AC, 62 Hz, 1 min. |
| Test voltage: Field to functional earth | 500 V AC, 62 Hz, 1 min. |
| Test voltage: Field to 5 V and 24 V supplies | 1500 V AC, 62 Hz, 1 min. |

Connection data

Connection technology

| | |
|-------------------------------|---|
| Connection name | Axioline P connector |
| Note on the connection method | Please observe the information provided on conductor cross sections in the "Axioline P: system and installation" user manual. |

Conductor connection

| | |
|----------------------------------|---|
| Connection method | Push-in connection |
| Conductor cross section rigid | 0.2 mm ² ... 1.5 mm ² |
| Conductor cross section flexible | 0.2 mm ² ... 1.5 mm ² |
| Conductor cross section AWG | 24 ... 16 |
| Stripping length | 8 mm |

Axioline P connector

| | |
|-----------------------------------|---|
| Connection method | Push-in connection |
| Note on the connection method | Please observe the information provided on conductor cross sections in the "Axioline P: system and installation" user manual. |
| Conductor cross section, rigid | 0.2 mm ² ... 1.5 mm ² |
| Conductor cross section, flexible | 0.2 mm ² ... 1.5 mm ² |

AXL P AI8 HART 1F - Analog module



1052429

<https://www.phoenixcontact.com/us/products/1052429>

| | |
|-----------------------------|-----------|
| Conductor cross section AWG | 24 ... 16 |
| Stripping length | 8 mm |

Environmental and real-life conditions

Ambient conditions

| | |
|--|---|
| Degree of protection | IP20 |
| Ambient temperature (operation) | -40 °C ... 70 °C (Standard) |
| Degree of protection | IP20 |
| Air pressure (operation) | 70 kPa ... 106 kPa (up to 2000 m above sea level) |
| Air pressure (storage/transport) | 70 kPa ... 106 kPa (up to 2000 m above sea level) |
| Ambient temperature (storage/transport) | -40 °C ... 85 °C |
| Permissible humidity (operation) | 5 % ... 95 % (non-condensing) |
| Permissible humidity (storage/transport) | 5 % ... 95 % (non-condensing) |

Standards and regulations

| | |
|------------------|---------------------------------------|
| Protection class | III (IEC 61140, EN 61140, VDE 0140-1) |
|------------------|---------------------------------------|

Approvals

ATEX

| | |
|----------------|-----------------------|
| Identification | II 3G Ex ec IIC T4 Gc |
| Certificate | DEMKO 20 ATEX 2334X |

IECEX

| | |
|----------------|-------------------|
| Identification | Ex ec IIC T4 Gc |
| Certificate | IECEX UL 20.0002X |

UKCA Ex (UKEX)

| | |
|----------------|-----------------------|
| Identification | II 3G Ex ec IIC T4 Gc |
| Certificate | PxCAI22UKEx1052416X |

CCC Ex

| | |
|----------------|--|
| Identification | Ex e ib mb [ia Ga] IIC T4 Gb [Ex iaD] |
| Certificate | 2022122310115622 |

Ex data

| | |
|------------------|--|
| UL, USA / Canada | Class I, Div. 2, Groups A, B, C, D T4 Class I, Zone 2, IIC T4 |
|------------------|--|

Mounting

| | |
|-------------------|-------------------------------|
| Mounting type | DIN rail mounting |
| Mounting position | any (no temperature derating) |

AXL P AI8 HART 1F - Analog module

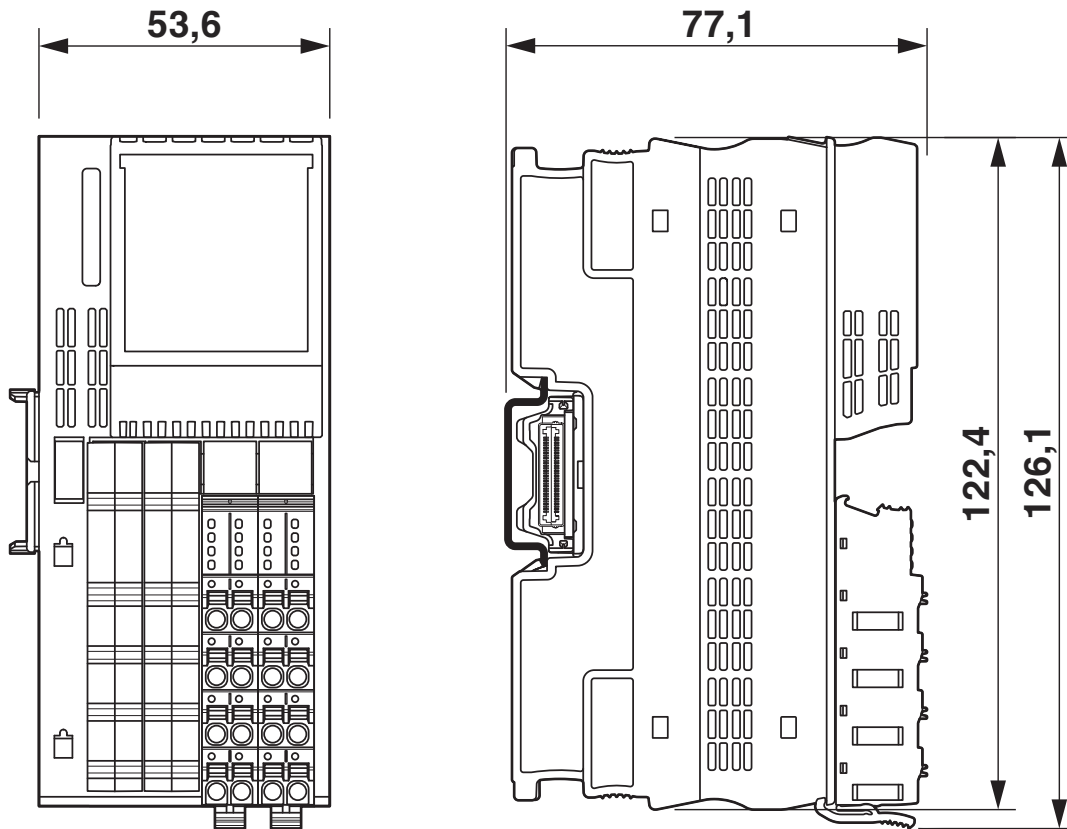


1052429

<https://www.phoenixcontact.com/us/products/1052429>

Drawings

Dimensional drawing



AXL P AI8 HART 1F - Analog module



1052429

<https://www.phoenixcontact.com/us/products/1052429>

Approvals

To download certificates, visit the product detail page: <https://www.phoenixcontact.com/us/products/1052429>



UL Listed

Approval ID: FILE E 238705



cUL Listed

Approval ID: FILE E 238705



IECEX

Approval ID: IECEX UL 20.0002X



cUL Listed

Approval ID: FILE E 196811



UL Listed

Approval ID: FILE E 196811



ATEX

Approval ID: DEMKO 20 ATEX 2334X



CCC

Approval ID: 2021122309114878



CCC

Approval ID: 2021122309114878

cULus Listed

cULus Listed

AXL P AI8 HART 1F - Analog module



1052429

<https://www.phoenixcontact.com/us/products/1052429>

Classifications

ECLASS

| | |
|-------------|----------|
| ECLASS-11.0 | 27242601 |
| ECLASS-12.0 | 27242601 |
| ECLASS-13.0 | 27242601 |

ETIM

| | |
|----------|----------|
| ETIM 9.0 | EC001596 |
|----------|----------|

UNSPSC

| | |
|-------------|----------|
| UNSPSC 21.0 | 32151600 |
|-------------|----------|

AXL P AI8 HART 1F - Analog module



1052429

<https://www.phoenixcontact.com/us/products/1052429>

Environmental product compliance

| | |
|------------|--|
| REACH SVHC | Lead 7439-92-1 |
| | Dechlorane Plus |
| China RoHS | Environmentally Friendly Use Period = 25; |
| | For information on hazardous substances, refer to the manufacturer's declaration available under "Downloads" |

AXL P AI8 HART 1F - Analog module



1052429

<https://www.phoenixcontact.com/us/products/1052429>

Accessories

AXL P BS F2 - Bus connector

1052428

<https://www.phoenixcontact.com/us/products/1052428>

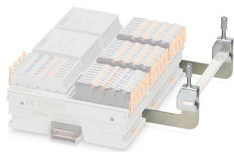


Axioline P bus base module for housing type F2

AXL SHIELD SET - Shield connection

2700518

<https://www.phoenixcontact.com/us/products/2700518>



Axioline shield connection set (contains 2 shield bus holders and 2 SK 5 shield connection clamps)

AXL P AI8 HART 1F - Analog module

1052429

<https://www.phoenixcontact.com/us/products/1052429>



ZB 20,3 AXL UNPRINTED - Zack marker strip

0829579

<https://www.phoenixcontact.com/us/products/0829579>



Zack marker strip for Axioline F (device labeling), in 2 x 20.3 mm pitch, unprinted, 25-section, for individual labeling with B-STIFT 0.8, X-PEN, or CMS-P1-PLOTTER

AXL P TERM PAIR - Termination block

2316402

<https://www.phoenixcontact.com/us/products/2316402>



Axioline P terminator pair

AXL P AI8 HART 1F - Analog module

1052429

<https://www.phoenixcontact.com/us/products/1052429>



AXL P TERM PAIR - Termination block

2316402

<https://www.phoenixcontact.com/us/products/2316402>



Axioline P terminator pair

AXL P BS F2 - Bus connector

1052428

<https://www.phoenixcontact.com/us/products/1052428>



Axioline P bus base module for housing type F2

Phoenix Contact 2023 © - all rights reserved
<https://www.phoenixcontact.com>

Phoenix Contact USA
586 Fulling Mill Road
Middletown, PA 17057, United States
(+717) 944-1300
info@phoenixcon.com