

AXL F BK EIP EF - Bus coupler



2702782

<https://www.phoenixcontact.com/us/products/2702782>

Please be informed that the data shown in this PDF document is generated from our online catalog. Please find the complete data in the user documentation. Our general terms of use for downloads are valid.



Axioline F, Bus coupler, EtherNet/IP™, RJ45 jack, extended function, transmission speed in the local bus: 100 Mbps, degree of protection: IP20, including bus base module and Axioline F connector

Product description

The bus coupler is intended for use within an EtherNet/IP™ network. It is the link to the Axioline F I/O system. Up to 63 Axioline F devices can be connected to the bus coupler. A corresponding EDS file is available for integrating the Axioline F station into the programming system. This file can be downloaded at: www.phoenixcontact.com/product/2702782

Your advantages

- 2 Ethernet ports (with integrated switch)
- Transmission speed of 10 Mbps and 100 Mbps
- Rotary coding switches for setting the IP address assignment and other functions
- Firmware can be updated
- Runtime in bus coupler is negligible (almost 0 μ s)
- Typical cycle time of the Axioline F local bus is around 10 μ s
- Web-based management
- Supports the operation of Axioline Smart Elements
- Supports passive Smart Elements (firmware version 1.30 or later)
- Supports IOL-CONF (firmware version 1.30 and later)
- Supports Diag+

Commercial data

Item number	2702782
Packing unit	1 pc
Minimum order quantity	1 pc
Sales key	DR02
Product key	DRI21D
Catalog page	Page 70 (C-6-2019)
GTIN	4055626320533
Weight per piece (including packing)	222.7 g
Weight per piece (excluding packing)	222.7 g
Customs tariff number	85176200
Country of origin	DE

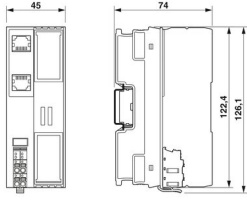
AXL F BK EIP EF - Bus coupler

2702782

<https://www.phoenixcontact.com/us/products/2702782>

Technical data

Dimensions

Dimensional drawing	
Width	45 mm
Height	126.1 mm
Depth	74 mm
Note on dimensions	The depth applies when a TH 35-7.5 DIN rail is used (in accordance with EN 60715).

Interfaces

EtherNet/IP™

Number of interfaces	2
Connection method	RJ45 jack
Note on the connection method	Auto negotiation and autocrossing
Transmission speed	10/100 Mbps (Half or full duplex mode (automatic detection, can be adjusted manually))
Transmission physics	Ethernet in RJ45 twisted pair

Axioline F local bus

Number of interfaces	1
Connection method	Bus base module
Transmission speed	100 Mbps

Service

Number of interfaces	1
Connection method	USB type C (from HW 01) Micro USB type B (HW 00)

System properties

System limits

Number of supported devices	max. 63 (per station)
Number of local bus devices that can be connected	max. 63

Product properties

Type	block modular
Product type	I/O component
Product family	Axioline F

AXL F BK EIP EF - Bus coupler



2702782

<https://www.phoenixcontact.com/us/products/2702782>

Mounting position	any (observe temperature derating)
Scope of delivery	including bus base module and Axioline F connector
Insulation characteristics	
Overvoltage category	II (IEC 60664-1, EN 60664-1)
Pollution degree	2 (IEC 60664-1, EN 60664-1)

Electrical properties

Potentials: Communications power U_L feed-in (the supply of the Axioline F local bus U_{BUS} is generated from U_L)

Supply voltage	24 V DC
Supply voltage range	19.2 V DC ... 30 V DC (including all tolerances, including ripple)
Current draw	max. 583 mA (2.0 A at U_{BUS} , $U_L = 24$ V, HW 00) max. 670 mA (2.5 A at U_{BUS} , $U_L = 24$ V, HW 01 or later)
Power consumption	max. 14 W (2.0 A at U_{BUS} , $U_L = 24$ V, HW 00) max. 16 W (2.5 A at U_{BUS} , $U_L = 24$ V, HW 01 or later)
Protective circuit	Surge protection; electronic Reverse polarity protection; electronic

Potentials: Axioline F local bus supply (U_{BUS})

Supply voltage	5 V DC (via bus base module)
Power supply unit	max. 2 A (HW 00) max. 2.5 A (from HW 01)

Electrical isolation/isolation of the voltage ranges

Test voltage: Ethernet interface 1 / Ethernet interface 2	1500 V AC, 50 Hz, 1 min.
Test voltage: Ethernet interface 1 / 24 V communications voltage (U_L) feed-in	1500 V AC, 50 Hz, 1 min.
Test voltage: Ethernet interface 2 / 24 V communications voltage (U_L) feed-in	1500 V AC, 50 Hz, 1 min.
Test voltage: Ethernet interface 1 / functional ground	1500 V AC, 50 Hz, 1 min.
Test voltage: Ethernet interface 2 / functional ground	1500 V AC, 50 Hz, 1 min.
Test voltage: 24 V communications voltage (U_L) feed-in / functional ground	500 V AC, 50 Hz, 1 min.

Connection data

Connection technology

Connection name	Axioline F connector
Note on the connection method	Please observe the information provided on conductor cross sections in the "Axioline F: system and installation" user manual.

Conductor connection

Connection method	Push-in connection
Conductor cross section rigid	0.2 mm ² ... 1.5 mm ²
Conductor cross section flexible	0.2 mm ² ... 1.5 mm ²
Conductor cross section AWG	24 ... 16
Stripping length	8 mm

AXL F BK EIP EF - Bus coupler



2702782

<https://www.phoenixcontact.com/us/products/2702782>

Axioline F connector

Connection method	Push-in connection
Note on the connection method	Please observe the information provided on conductor cross sections in the "Axioline F: system and installation" user manual.
Conductor cross section, rigid	0.2 mm ² ... 1.5 mm ²
Conductor cross section, flexible	0.2 mm ² ... 1.5 mm ²
Conductor cross section AWG	24 ... 16
Stripping length	8 mm

Environmental and real-life conditions

Ambient conditions

Ambient temperature (operation)	-25 °C ... 60 °C (Mounting position: wall mounting on horizontal DIN rail) -25 °C ... 55 °C (Mounting position: any)
Degree of protection	IP20
Air pressure (operation)	70 kPa ... 106 kPa (up to 3000 m above sea level)
Air pressure (storage/transport)	70 kPa ... 106 kPa (up to 3000 m above sea level)
Ambient temperature (storage/transport)	-40 °C ... 85 °C
Permissible humidity (operation)	5 % ... 95 % (non-condensing)
Permissible humidity (storage/transport)	5 % ... 95 % (non-condensing)

Standards and regulations

Protection class	III (IEC 61140, EN 61140, VDE 0140-1)
------------------	---------------------------------------

Mounting

Mounting type	DIN rail mounting
Mounting position	any (observe temperature derating)

AXL F BK EIP EF - Bus coupler

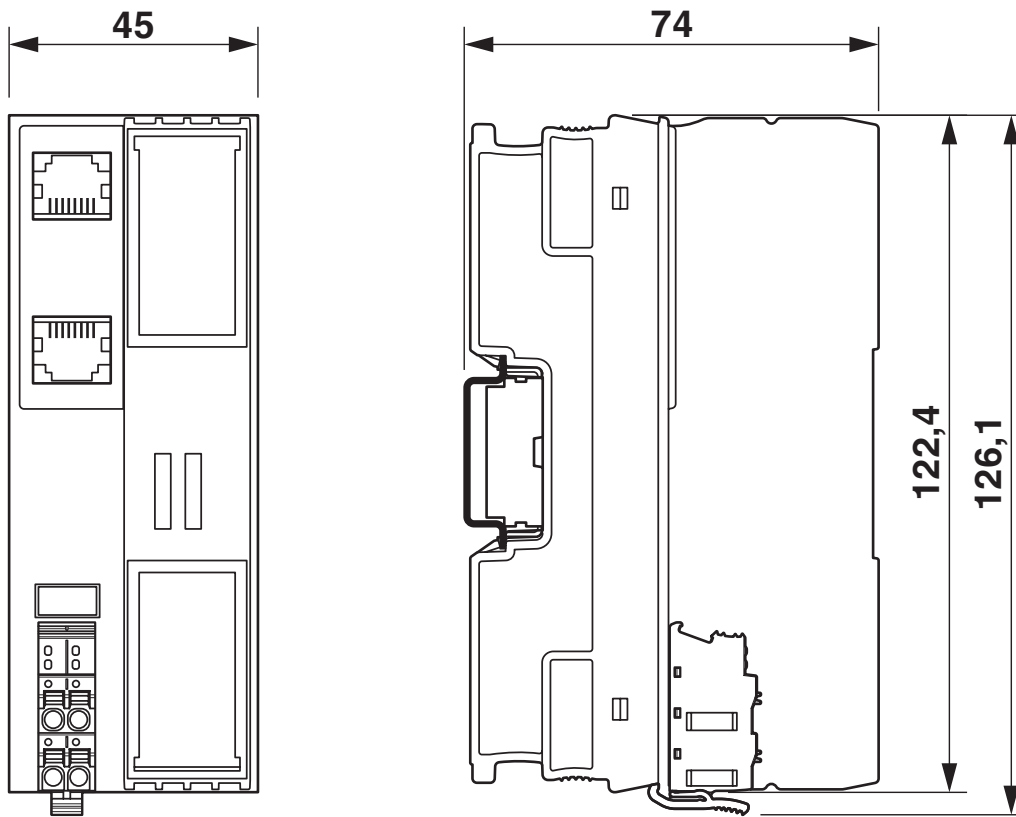


2702782

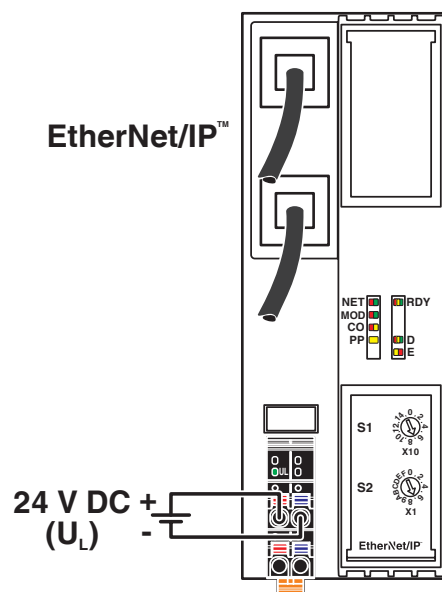
<https://www.phoenixcontact.com/us/products/2702782>

Drawings

Dimensional drawing



Connection diagram

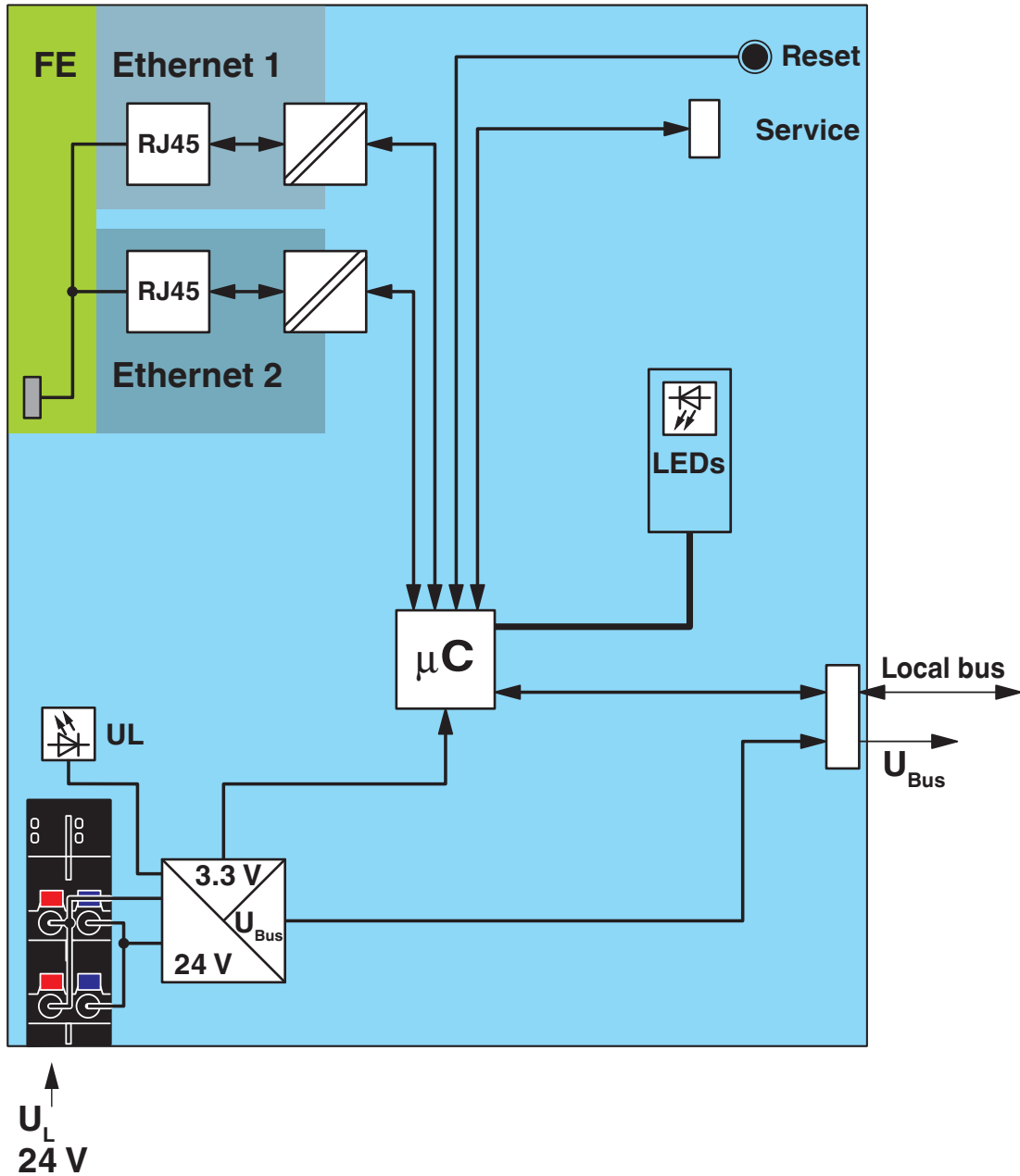


AXL F BK EIP EF - Bus coupler

2702782

<https://www.phoenixcontact.com/us/products/2702782>

Block diagram



Internal wiring of the terminal points

AXL F BK EIP EF - Bus coupler



2702782

<https://www.phoenixcontact.com/us/products/2702782>

Approvals

To download certificates, visit the product detail page: <https://www.phoenixcontact.com/us/products/2702782>



UL Listed

Approval ID: FILE E 238705



cUL Listed

Approval ID: FILE E 238705

DeviceNet™

DeviceNet

Approval ID: 11509.02

UAE-RoHS

Approval ID: 23-02-63241

cULus Listed

AXL F BK EIP EF - Bus coupler



2702782

<https://www.phoenixcontact.com/us/products/2702782>

Classifications

ECLASS

ECLASS-11.0	27242608
ECLASS-12.0	27242608
ECLASS-13.0	27242608

ETIM

ETIM 9.0	EC001604
----------	----------

UNSPSC

UNSPSC 21.0	32151600
-------------	----------

AXL F BK EIP EF - Bus coupler



2702782

<https://www.phoenixcontact.com/us/products/2702782>

Environmental product compliance

REACH SVHC	Lead 7439-92-1
China RoHS	Environmentally Friendly Use Period = 50 years
	For information on hazardous substances, refer to the manufacturer's declaration available under "Downloads"

AXL F BK EIP EF - Bus coupler

2702782

<https://www.phoenixcontact.com/us/products/2702782>



Accessories

AXL F BS BK - Bus connector

2701422

<https://www.phoenixcontact.com/us/products/2701422>

Axioline F bus base module for housing type BK



FL PLUG RJ45 GR/2 - RJ45 connector

2744856

<https://www.phoenixcontact.com/us/products/2744856>

RJ45 connector, design: RJ45, degree of protection: IP20, number of positions: 8, 1 Gbps, CAT5 (IEC 11801:2002), material: Plastic, connection method: Crimp connection, connection cross section: AWG 26- 24, cable outlet: straight, color: gray, Ethernet



AXL F BK EIP EF - Bus coupler

2702782

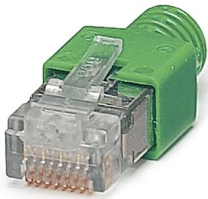
<https://www.phoenixcontact.com/us/products/2702782>



FL PLUG RJ45 GN/2 - RJ45 connector

2744571

<https://www.phoenixcontact.com/us/products/2744571>



RJ45 connector, design: RJ45, degree of protection: IP20, number of positions: 8, 1 Gbps, CAT5 (IEC 11801:2002), material: Plastic, connection method: Crimp connection, connection cross section: AWG 26- 24, cable outlet: straight, color: green, Ethernet

FL CAT5 HEAVY - Data cable

2744814

<https://www.phoenixcontact.com/us/products/2744814>



CAT5-SF/UTP cable (J-02YS(ST)C HP 2 x 2 x 24 AWG), heavy-duty installation cable, 2 x 2 x 0.22 mm², solid conductor, shielded, outer sheath: 7.8 mm diameter, inner sheath: 5.75 mm ± 0.15 mm diameter

AXL F BK EIP EF - Bus coupler

2702782

<https://www.phoenixcontact.com/us/products/2702782>



FL CAT5 FLEX - Installation cable

2744830

<https://www.phoenixcontact.com/us/products/2744830>



By the meter, Installation cable, Ethernet CAT5 (100 Mbps), shielded, PUR halogen-free, water blue RAL 5021, 4-wire (2x2xAWG26/7, SF/UTP), color single wire: white/orange-orange, white/green-green, cable length: Free entry (1.0 ... 1000.0 m)

FL CRIMPTOOL - Assembly tool

2744869

<https://www.phoenixcontact.com/us/products/2744869>



Crimping pliers, for assembling the RJ45 plugs FL PLUG RJ45..., for assembly on site

AXL F BK EIP EF - Bus coupler

2702782

<https://www.phoenixcontact.com/us/products/2702782>



ZB 20,3 AXL UNPRINTED - Zack marker strip

0829579

<https://www.phoenixcontact.com/us/products/0829579>



Zack marker strip for Axioline F (device labeling), in 2 x 20.3 mm pitch, unprinted, 25-section, for individual labeling with B-STIFT 0.8, X-PEN, or CMS-P1-PLOTTER

ZBF 10/5,8 AXL UNPRINTED - Zack Marker strip, flat

0829580

<https://www.phoenixcontact.com/us/products/0829580>



Zack Marker strip, flat, Strip, white, unlabeled, can be labeled with: PLOTMARK, CMS-P1-PLOTTER, mounting type: snapped, for terminal block width: 10.15 mm, lettering field size: 4 x 10, 15 x 5 mm, 1 x 5.8 x 5 mm, Number of individual labels: 50

AXL F BK EIP EF - Bus coupler

2702782

<https://www.phoenixcontact.com/us/products/2702782>



EMT (35X18,7)R - Insert label

0801831

<https://www.phoenixcontact.com/us/products/0801831>



Insert label, for marking Phoenix Contact Axioline modules, Roll, white, unlabeled, can be labeled with: THERMOMARK E.300 (D)/600 (D), THERMOMARK ROLL 2.0, THERMOMARK ROLL, THERMOMARK ROLL X1, THERMOMARK ROLLMaster 300/600, THERMOMARK X1.2, mounting type: insert, lettering field size: 35 x 18.7 mm, Number of individual labels: 500

CAB-USB A/MICRO USB B/2,0M - Connecting cable

2701626

<https://www.phoenixcontact.com/us/products/2701626>



Connecting cable, for connecting the controller to a PC for PC Worx and LOGIC+, USB A to micro USB B, 2 m in length.

AXL F BK EIP EF - Bus coupler

2702782

<https://www.phoenixcontact.com/us/products/2702782>



CAB-USB A/ USB C/1,8M - Connecting cable

2404677

<https://www.phoenixcontact.com/us/products/2404677>

Connecting cable, for connecting the controller to a PC from USB A to USB C



CAB-USB C/ USB C/1,8M - Connecting cable

1021809

<https://www.phoenixcontact.com/us/products/1021809>

Connecting cable, for connecting the controller to a PC from USB C to USB C



Phoenix Contact 2023 © - all rights reserved
<https://www.phoenixcontact.com>

Phoenix Contact USA
586 Fulling Mill Road
Middletown, PA 17057, United States
(+717) 944-1300
info@phoenixcon.com