

# VFC-PT/D9SUB/M - Interface module



1278825

<https://www.phoenixcontact.com/us/products/1278825>

Please be informed that the data shown in this PDF document is generated from our online catalog. Please find the complete data in the user documentation. Our general terms of use for downloads are valid.

VARIOFACE Front Connect, 1:1 D-SUB termination board with Push-in front connections and D-SUB pin strip, number of positions: 9, overall width: 19 mm



## Your advantages

- Fast, clear, and error-free wiring, thanks to Push-in terminal blocks with front connection technology
- Up to 60 % less space required in the control cabinet compared to conventional solutions due to the innovative design with an installation width of 19 mm
- Plug and Play connection to the remote IO and field level with the comprehensive system cabling range from Phoenix Contact
- Optimum support for your distributed I/O devices, thanks to high flexibility and the slim design
- Optically and haptically compatible with modern remote IO systems

## Commercial data

Item number	1278825
Packing unit	1 pc
Minimum order quantity	1 pc
Sales key	C422
Product key	CK2224
GTIN	4063151476311
Weight per piece (including packing)	88.86 g
Weight per piece (excluding packing)	88 g
Customs tariff number	85366990
Country of origin	DE

# VFC-PT/D9SUB/M - Interface module



1278825

<https://www.phoenixcontact.com/us/products/1278825>

## Technical data

### Product properties

Product type	Interface module
Product family	VARIOFACE Front Connect

### Insulation characteristics

Insulation	Functional insulation
------------	-----------------------

### Insulation characteristics: Air clearances and creepage distances

Insulation	Functional insulation
Overvoltage category	II
Pollution degree	2

### Electrical properties

Max. permissible operating voltage	30 V AC
	60 V DC
Max. permissible current	2 A (per branch)

### Air clearances and creepage distances

Rated insulation voltage	63 V
Rated surge voltage	0.8 kV (1.2/50 $\mu$ s)

### Connection data

#### Controller level

Connection in acc. with standard	IEC 60807-2
	DIN 41652
Connection method	D-SUB pin strip
Number of connections	1
Number of positions	9

#### Field level

Connection method	Push-in connection
Stripping length	10 mm
Number of positions	12
Conductor cross section rigid	0.2 mm <sup>2</sup> ... 1.5 mm <sup>2</sup>
Conductor cross section flexible	0.2 mm <sup>2</sup> ... 2.5 mm <sup>2</sup>
	0.25 mm <sup>2</sup> ... 1.5 mm <sup>2</sup> (Ferrules without plastic sleeve)
	0.25 mm <sup>2</sup> ... 1.5 mm <sup>2</sup> (Ferrule with plastic sleeve)
Conductor cross section AWG	24 ... 16

### Dimensions

#### Item dimensions

Width	18.9 mm
-------	---------

# VFC-PT/D9SUB/M - Interface module



1278825

<https://www.phoenixcontact.com/us/products/1278825>

Height	127.2 mm
Depth	46.85 mm

## Material specifications

Flammability rating according to UL 94	V0
--	----

## Environmental and real-life conditions

### Ambient conditions

Degree of protection	IP20
Degree of protection (Installation location)	IP54 (Installation location)
Ambient temperature (operation)	-40 °C ... 70 °C (≤ 2000 m) -40 °C ... 63 °C (2001 m - 3000 m)
Altitude	≤ 3000 m

## Approvals

### UL, USA/Canada

Identification	UL 61010-2-201
----------------	----------------

### CSA, USA/Canada

Identification	CSA C22.2 NO. 61010-2-201
----------------	---------------------------

## Standards and regulations

### Air clearances and creepage distances

Standards/regulations	DIN EN 60664-1
-----------------------	----------------

## Mounting

Mounting type	DIN rail mounting
Mounting position	any

## Notes

General	For proper use, the specifications of the installation directive (see Downloads) must be observed. For applications or use with third-party products, the specifications, and the safety and warning instructions of the respective third-party manufacturer must also be met.
---------	--

# VFC-PT/D9SUB/M - Interface module

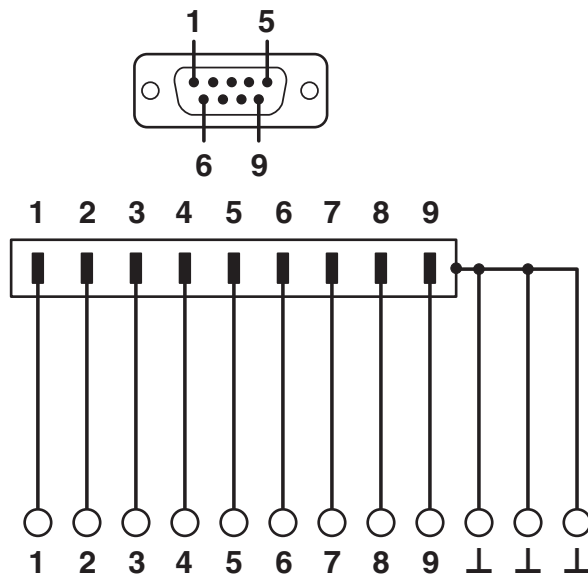
1278825

<https://www.phoenixcontact.com/us/products/1278825>



## Drawings

Circuit diagram



# VFC-PT/D9SUB/M - Interface module



1278825

<https://www.phoenixcontact.com/us/products/1278825>

## Approvals

To download certificates, visit the product detail page: <https://www.phoenixcontact.com/us/products/1278825>



**UL Listed**

Approval ID: FILE E 238705



**cUL Listed**

Approval ID: FILE E 238705

**cULus Listed**

# VFC-PT/D9SUB/M - Interface module



1278825

<https://www.phoenixcontact.com/us/products/1278825>

## Classifications

### ECLASS

ECLASS-11.0	27141152
ECLASS-13.0	27141152
ECLASS-12.0	27141152

### ETIM

ETIM 9.0	EC002780
----------	----------

### UNSPSC

UNSPSC 21.0	39121400
-------------	----------

# VFC-PT/D9SUB/M - Interface module



1278825

<https://www.phoenixcontact.com/us/products/1278825>

## Environmental product compliance

China RoHS	Environmentally friendly use period: unlimited = EFUP-e
	No hazardous substances above threshold values

# VFC-PT/D9SUB/M - Interface module



1278825

<https://www.phoenixcontact.com/us/products/1278825>

## Accessories

### CABLE D-SUB-S/.../.../... - Cable

2302340

<https://www.phoenixcontact.com/us/products/2302340>



Shielded round cable, assembled with one D-SUB female and pin strip (9-, 15-, 25-, 37-, or 50-pos.), variable cable length

---

### CABLE D-SUB-B-B-S/.../.../... - Cable

2302421

<https://www.phoenixcontact.com/us/products/2302421>



Shielded round cable, assembled with two D-SUB female strips (9-, 15-, 25-, 37-, or 50-pos.), variable cable length



## VFC-PT/D9SUB/M - Interface module

1278825

<https://www.phoenixcontact.com/us/products/1278825>



### SK 2,8 WH:REEL - Marker strip

0805205

<https://www.phoenixcontact.com/us/products/0805205>



Marker strip, Roll, white, unlabeled, can be labeled with: THERMOMARK E.300 (D)/600 (D), THERMOMARK ROLL 2.0, THERMOMARK ROLL, THERMOMARK ROLL X1, THERMOMARK ROLLMASTER 300/600, THERMOMARK X1.2, mounting type: adhesive, lettering field size: continuous x 2.8 mm, Number of individual labels: 14

---

### CABLE-D 9SUB/B/S/ 50/KONFEK/S - Cable

2299987

<https://www.phoenixcontact.com/us/products/2299987>



Assembled shielded round cable; connection 1: D-SUB socket strip (1x 9-position); connection 2: D-SUB pin strip (1x 9-position); cable length: 0.5 m

# VFC-PT/D9SUB/M - Interface module

1278825

<https://www.phoenixcontact.com/us/products/1278825>



## CABLE-D 9SUB/B/S/100/KONFEK/S - Cable

2299990

<https://www.phoenixcontact.com/us/products/2299990>



Assembled shielded round cable; connection 1: D-SUB socket strip (1x 9-position); connection 2: D-SUB pin strip (1x 9-position); cable length: 1 m

---

## CABLE-D 9SUB/B/S/150/KONFEK/S - Cable

2300009

<https://www.phoenixcontact.com/us/products/2300009>



Assembled shielded round cable; connection 1: D-SUB socket strip (1x 9-position); connection 2: D-SUB pin strip (1x 9-position); cable length: 1.5 m

# VFC-PT/D9SUB/M - Interface module

1278825

<https://www.phoenixcontact.com/us/products/1278825>



## CABLE-D 9SUB/B/S/200/KONFEK/S - Cable

2302010

<https://www.phoenixcontact.com/us/products/2302010>



Assembled shielded round cable; connection 1: D-SUB socket strip (1x 9-position); connection 2: D-SUB pin strip (1x 9-position); cable length: 2 m

---

## CABLE-D 9SUB/B/S/300/KONFEK/S - Cable

2302023

<https://www.phoenixcontact.com/us/products/2302023>



Assembled shielded round cable; connection 1: D-SUB socket strip (1x 9-position); connection 2: D-SUB pin strip (1x 9-position); cable length: 3 m

# VFC-PT/D9SUB/M - Interface module



1278825

<https://www.phoenixcontact.com/us/products/1278825>

## CABLE-D 9SUB/B/S/400/KONFEK/S - Cable

2302036

<https://www.phoenixcontact.com/us/products/2302036>



Assembled shielded round cable; connection 1: D-SUB socket strip (1x 9-position); connection 2: D-SUB pin strip (1x 9-position); cable length: 4 m

---

## CABLE-D 9SUB/B/S/600/KONFEK/S - Cable

2302049

<https://www.phoenixcontact.com/us/products/2302049>



Assembled shielded round cable; connection 1: D-SUB socket strip (1x 9-position); connection 2: D-SUB pin strip (1x 9-position); cable length: 6 m

# VFC-PT/D9SUB/M - Interface module

1278825

<https://www.phoenixcontact.com/us/products/1278825>

## CABLE-D 9SUB/B/S/HF/S/ 1,0M - Cable

1066591

<https://www.phoenixcontact.com/us/products/1066591>



Assembled, shielded, halogen-free round cable; connection 1: D-SUB socket strip (1x 9-position); connection 2: D-SUB pin strip (1x 9-position); cable length: 1 m

---

## CABLE-D 9SUB/B/S/HF/S/ 2,0M - Cable

1066592

<https://www.phoenixcontact.com/us/products/1066592>



Assembled, shielded, halogen-free round cable; connection 1: D-SUB socket strip (1x 9-position); connection 2: D-SUB pin strip (1x 9-position); cable length: 2 m

# VFC-PT/D9SUB/M - Interface module

1278825

<https://www.phoenixcontact.com/us/products/1278825>



## CABLE-D 9SUB/B/S/HF/S/ 3,0M - Cable

1066593

<https://www.phoenixcontact.com/us/products/1066593>



Assembled, shielded, halogen-free round cable; connection 1: D-SUB socket strip (1x 9-position); connection 2: D-SUB pin strip (1x 9-position); cable length: 3 m

---

## CABLE-D 9SUB-B-S-HF-S/... - Cable

1075568

<https://www.phoenixcontact.com/us/products/1075568>



Assembled, shielded, halogen-free round cable; connection 1: D-SUB socket strip (1x 9-position); connection 2: D-SUB pin strip (1x 9-position); cable length: variable

# VFC-PT/D9SUB/M - Interface module



1278825

<https://www.phoenixcontact.com/us/products/1278825>

## CABLE-D 9SUB/B/B/100/KONFEK/S - Cable

2305415

<https://www.phoenixcontact.com/us/products/2305415>



Assembled shielded round cable; connection 1: D-SUB socket strip (1x 9-position); connection 2: D-SUB socket strip (1x 9-position); cable length: 1 m

---

## CABLE-D 9SUB/B/B/200/KONFEK/S - Cable

2305428

<https://www.phoenixcontact.com/us/products/2305428>



Assembled shielded round cable; connection 1: D-SUB socket strip (1x 9-position); connection 2: D-SUB socket strip (1x 9-position); cable length: 2 m

# VFC-PT/D9SUB/M - Interface module

1278825

<https://www.phoenixcontact.com/us/products/1278825>



## CABLE-D 9SUB/B/B/300/KONFEK/S - Cable

2305431

<https://www.phoenixcontact.com/us/products/2305431>



Assembled shielded round cable; connection 1: D-SUB socket strip (1x 9-position); connection 2: D-SUB socket strip (1x 9-position); cable length: 3 m

---

## CABLE-D 9SUB/B/B/HF/S/ 1,0M - Cable

1066587

<https://www.phoenixcontact.com/us/products/1066587>



Assembled, shielded, halogen-free round cable; connection 1: D-SUB socket strip (1x 9-position); connection 2: D-SUB socket strip (1x 9-position); cable length: 1 m



# VFC-PT/D9SUB/M - Interface module

1278825

<https://www.phoenixcontact.com/us/products/1278825>

## CABLE-D 9SUB/B/B/HF/S/ 2,0M - Cable

1066588

<https://www.phoenixcontact.com/us/products/1066588>



Assembled, shielded, halogen-free round cable; connection 1: D-SUB socket strip (1x 9-position); connection 2: D-SUB socket strip (1x 9-position); cable length: 2 m

---

## CABLE-D 9SUB/B/B/HF/S/ 3,0M - Cable

1066589

<https://www.phoenixcontact.com/us/products/1066589>



Assembled, shielded, halogen-free round cable; connection 1: D-SUB socket strip (1x 9-position); connection 2: D-SUB socket strip (1x 9-position); cable length: 3 m

# VFC-PT/D9SUB/M - Interface module

1278825

<https://www.phoenixcontact.com/us/products/1278825>

## CABLE-D 9SUB-B-B-HF-S/... - Cable

1075569

<https://www.phoenixcontact.com/us/products/1075569>



Assembled, shielded, halogen-free round cable; connection 1: D-SUB socket strip (1x 9-position); connection 2: D-SUB socket strip (1x 9-position); cable length: variable

---

## CABLE-D- 9SUB/F/OE/0,25/S/0,5M - Cable

2926014

<https://www.phoenixcontact.com/us/products/2926014>



Assembled shielded round cable; connection 1: Single wires (9-position) (The wires are marked and fitted with ferrules. The braided shield is routed to a separate cable end.); connection 2: D-SUB socket strip (1x 9-position); cable length: 0.5 m

# VFC-PT/D9SUB/M - Interface module

1278825

<https://www.phoenixcontact.com/us/products/1278825>

## CABLE-D- 9SUB/F/OE/0,25/S/1,0M - Cable

2926027

<https://www.phoenixcontact.com/us/products/2926027>



Assembled shielded round cable; connection 1: Single wires (9-position) (The wires are marked and fitted with ferrules. The braided shield is routed to a separate cable end.); connection 2: D-SUB socket strip (1x 9-position); cable length: 1 m

---

## CABLE-D- 9SUB/F/OE/0,25/S/1,5M - Cable

2926030

<https://www.phoenixcontact.com/us/products/2926030>



Assembled shielded round cable; connection 1: Single wires (9-position) (The wires are marked and fitted with ferrules. The braided shield is routed to a separate cable end.); connection 2: D-SUB socket strip (1x 9-position); cable length: 1.5 m

# VFC-PT/D9SUB/M - Interface module

1278825

<https://www.phoenixcontact.com/us/products/1278825>

## CABLE-D- 9SUB/F/OE/0,25/S/2,0M - Cable

2926043

<https://www.phoenixcontact.com/us/products/2926043>



Assembled shielded round cable; connection 1: Single wires (9-position) (The wires are marked and fitted with ferrules. The braided shield is routed to a separate cable end.); connection 2: D-SUB socket strip (1x 9-position); cable length: 2 m

---

## CABLE-D- 9SUB/F/OE/0,25/S/3,0M - Cable

2926056

<https://www.phoenixcontact.com/us/products/2926056>



Assembled shielded round cable; connection 1: Single wires (9-position) (The wires are marked and fitted with ferrules. The braided shield is routed to a separate cable end.); connection 2: D-SUB socket strip (1x 9-position); cable length: 3 m

# VFC-PT/D9SUB/M - Interface module



1278825

<https://www.phoenixcontact.com/us/products/1278825>

## CABLE-D- 9SUB/F/OE/0,25/S/4,0M - Cable

2926069

<https://www.phoenixcontact.com/us/products/2926069>



Assembled shielded round cable; connection 1: Single wires (9-position) (The wires are marked and fitted with ferrules. The braided shield is routed to a separate cable end.); connection 2: D-SUB socket strip (1x 9-position); cable length: 4 m

---

## CABLE-D- 9SUB/F/OE/0,25/S/6,0M - Cable

2926072

<https://www.phoenixcontact.com/us/products/2926072>



Assembled shielded round cable; connection 1: Single wires (9-position) (The wires are marked and fitted with ferrules. The braided shield is routed to a separate cable end.); connection 2: D-SUB socket strip (1x 9-position); cable length: 6 m

# VFC-PT/D9SUB/M - Interface module



1278825

<https://www.phoenixcontact.com/us/products/1278825>

## CABLE-D- 9SUB-F-OE-0,25-S/... - Cable

2900903

<https://www.phoenixcontact.com/us/products/2900903>



Assembled shielded round cable; connection 1: Single wires (9-position) (The wires are marked and fitted with ferrules. The braided shield is routed to a separate cable end.); connection 2: D-SUB socket strip (1x 9-position); cable length: variable

---

Phoenix Contact 2023 © - all rights reserved

<https://www.phoenixcontact.com>

Phoenix Contact USA  
586 Fulling Mill Road  
Middletown, PA 17057, United States  
(+717) 944-1300  
[info@phoenixcon.com](mailto:info@phoenixcon.com)