

VFC-PT/D15SUB/F - Interface module



1278824

<https://www.phoenixcontact.com/us/products/1278824>

Please be informed that the data shown in this PDF document is generated from our online catalog. Please find the complete data in the user documentation. Our general terms of use for downloads are valid.

VARIOFACE Front Connect, 1:1 D-SUB termination board with Push-in front connections and D-SUB female strip, number of positions: 15, overall width: 19 mm



Your advantages

- Fast, clear, and error-free wiring, thanks to Push-in terminal blocks with front connection technology
- Up to 60 % less space required in the control cabinet compared to conventional solutions due to the innovative design with an installation width of 19 mm
- Plug and Play connection to the remote IO and field level with the comprehensive system cabling range from Phoenix Contact
- Optimum support for your distributed I/O devices, thanks to high flexibility and the slim design
- Optically and haptically compatible with modern remote IO systems

Commercial data

| | |
|--------------------------------------|---------------|
| Item number | 1278824 |
| Packing unit | 1 pc |
| Minimum order quantity | 1 pc |
| Sales key | C422 |
| Product key | CK2224 |
| GTIN | 4063151476618 |
| Weight per piece (including packing) | 95 g |
| Weight per piece (excluding packing) | 95 g |
| Customs tariff number | 85366990 |
| Country of origin | DE |

VFC-PT/D15SUB/F - Interface module



1278824

<https://www.phoenixcontact.com/us/products/1278824>

Technical data

Product properties

| | |
|----------------|-------------------------|
| Product type | Interface module |
| Product family | VARIOFACE Front Connect |

Insulation characteristics

| | |
|------------|-----------------------|
| Insulation | Functional insulation |
|------------|-----------------------|

Insulation characteristics: Air clearances and creepage distances

| | |
|----------------------|-----------------------|
| Insulation | Functional insulation |
| Overvoltage category | II |
| Pollution degree | 2 |

Electrical properties

| | |
|------------------------------------|------------------|
| Max. permissible operating voltage | 30 V AC |
| | 60 V DC |
| Max. permissible current | 2 A (per branch) |

Air clearances and creepage distances

| | |
|--------------------------|-------------------------|
| Rated insulation voltage | 63 V |
| Rated surge voltage | 0.8 kV (1.2/50 μ s) |

Connection data

Controller level

| | |
|----------------------------------|--------------------|
| Connection in acc. with standard | IEC 60807-2 |
| | DIN 41652 |
| Connection method | D-SUB socket strip |
| Number of connections | 1 |
| Number of positions | 15 |

Field level

| | |
|----------------------------------|--|
| Connection method | Push-in connection |
| Stripping length | 10 mm |
| Number of positions | 16 |
| Conductor cross section rigid | 0.2 mm ² ... 1.5 mm ² |
| Conductor cross section flexible | 0.2 mm ² ... 2.5 mm ² |
| | 0.25 mm ² ... 1.5 mm ² (Ferrules without plastic sleeve) |
| | 0.25 mm ² ... 1.5 mm ² (Ferrule with plastic sleeve) |
| Conductor cross section AWG | 24 ... 16 |

Dimensions

Item dimensions

| | |
|-------|---------|
| Width | 18.9 mm |
|-------|---------|

VFC-PT/D15SUB/F - Interface module



1278824

<https://www.phoenixcontact.com/us/products/1278824>

| | |
|--------|----------|
| Height | 127.2 mm |
| Depth | 46.85 mm |

Material specifications

| | |
|--|----|
| Flammability rating according to UL 94 | V0 |
|--|----|

Environmental and real-life conditions

Ambient conditions

| | |
|--|---|
| Degree of protection | IP20 |
| Degree of protection (Installation location) | IP54 (Installation location) |
| Ambient temperature (operation) | -40 °C ... 70 °C (≤ 2000 m) -40 °C ... 63 °C (2001 m - 3000 m) |
| Altitude | ≤ 3000 m |

Approvals

UL, USA/Canada

| | |
|----------------|----------------|
| Identification | UL 61010-2-201 |
|----------------|----------------|

CSA, USA/Canada

| | |
|----------------|---------------------------|
| Identification | CSA C22.2 NO. 61010-2-201 |
|----------------|---------------------------|

Standards and regulations

Air clearances and creepage distances

| | |
|-----------------------|----------------|
| Standards/regulations | DIN EN 60664-1 |
|-----------------------|----------------|

Mounting

| | |
|-------------------|-------------------|
| Mounting type | DIN rail mounting |
| Mounting position | any |

Notes

| | |
|---------|--|
| General | For proper use, the specifications of the installation directive (see Downloads) must be observed. For applications or use with third-party products, the specifications, and the safety and warning instructions of the respective third-party manufacturer must also be met. |
|---------|--|

VFC-PT/D15SUB/F - Interface module

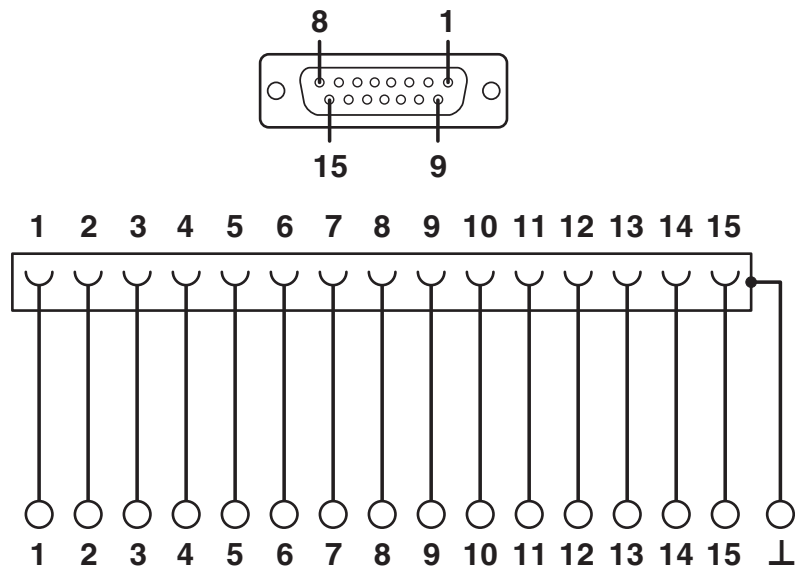
1278824

<https://www.phoenixcontact.com/us/products/1278824>



Drawings

Circuit diagram



VFC-PT/D15SUB/F - Interface module



1278824

<https://www.phoenixcontact.com/us/products/1278824>

Approvals

🔗 To download certificates, visit the product detail page: <https://www.phoenixcontact.com/us/products/1278824>



UL Listed

Approval ID: FILE E 238705



cUL Listed

Approval ID: FILE E 238705

cULus Listed

VFC-PT/D15SUB/F - Interface module



1278824

<https://www.phoenixcontact.com/us/products/1278824>

Classifications

ECLASS

| | |
|-------------|----------|
| ECLASS-11.0 | 27141152 |
| ECLASS-12.0 | 27141152 |
| ECLASS-13.0 | 27141152 |

ETIM

| | |
|----------|----------|
| ETIM 9.0 | EC002780 |
|----------|----------|

UNSPSC

| | |
|-------------|----------|
| UNSPSC 21.0 | 39121400 |
|-------------|----------|

VFC-PT/D15SUB/F - Interface module



1278824

<https://www.phoenixcontact.com/us/products/1278824>

Environmental product compliance

| | |
|------------|---|
| China RoHS | Environmentally friendly use period: unlimited = EFUP-e |
| | No hazardous substances above threshold values |

VFC-PT/D15SUB/F - Interface module



1278824

<https://www.phoenixcontact.com/us/products/1278824>

Accessories

CABLE D-SUB-S/.../.../... - Cable

2302340

<https://www.phoenixcontact.com/us/products/2302340>



Shielded round cable, assembled with one D-SUB female and pin strip (9-, 15-, 25-, 37-, or 50-pos.), variable cable length

CABLE D-SUB-S-S-S/.../.../... - Cable

2302434

<https://www.phoenixcontact.com/us/products/2302434>



Shielded round cable, assembled with two D-SUB pin strips (9-, 15-, 25-, 37-, or 50-pos.), variable cable length

VFC-PT/D15SUB/F - Interface module

1278824

<https://www.phoenixcontact.com/us/products/1278824>



SK 2,8 WH:REEL - Marker strip

0805205

<https://www.phoenixcontact.com/us/products/0805205>



Marker strip, Roll, white, unlabeled, can be labeled with: THERMOMARK E.300 (D)/600 (D), THERMOMARK ROLL 2.0, THERMOMARK ROLL, THERMOMARK ROLL X1, THERMOMARK ROLLMASTER 300/600, THERMOMARK X1.2, mounting type: adhesive, lettering field size: continuous x 2.8 mm, Number of individual labels: 14

CABLE-D15SUB/B/S/ 50/KONFEK/S - Cable

2302052

<https://www.phoenixcontact.com/us/products/2302052>



Assembled shielded round cable; connection 1: D-SUB socket strip (1x 15-position); connection 2: D-SUB pin strip (1x 15-position); cable length: 0.5 m

VFC-PT/D15SUB/F - Interface module

1278824

<https://www.phoenixcontact.com/us/products/1278824>



CABLE-D15SUB/B/S/100/KONFEK/S - Cable

2302065

<https://www.phoenixcontact.com/us/products/2302065>



Assembled shielded round cable; connection 1: D-SUB socket strip (1x 15-position); connection 2: D-SUB pin strip (1x 15-position); cable length: 1 m

CABLE-D15SUB/B/S/150/KONFEK/S - Cable

2302078

<https://www.phoenixcontact.com/us/products/2302078>



Assembled shielded round cable; connection 1: D-SUB socket strip (1x 15-position); connection 2: D-SUB pin strip (1x 15-position); cable length: 1.5 m

VFC-PT/D15SUB/F - Interface module

1278824

<https://www.phoenixcontact.com/us/products/1278824>



CABLE-D15SUB/B/S/200/KONFEK/S - Cable

2302081

<https://www.phoenixcontact.com/us/products/2302081>



Assembled shielded round cable; connection 1: D-SUB socket strip (1x 15-position); connection 2: D-SUB pin strip (1x 15-position); cable length: 2 m

CABLE-D15SUB/B/S/300/KONFEK/S - Cable

2302094

<https://www.phoenixcontact.com/us/products/2302094>



Assembled shielded round cable; connection 1: D-SUB socket strip (1x 15-position); connection 2: D-SUB pin strip (1x 15-position); cable length: 3 m

VFC-PT/D15SUB/F - Interface module



1278824

<https://www.phoenixcontact.com/us/products/1278824>

CABLE-D15SUB/B/S/400/KONFEK/S - Cable

2302104

<https://www.phoenixcontact.com/us/products/2302104>



Assembled shielded round cable; connection 1: D-SUB socket strip (1x 15-position); connection 2: D-SUB pin strip (1x 15-position); cable length: 4 m

CABLE-D15SUB/B/S/600/KONFEK/S - Cable

2302117

<https://www.phoenixcontact.com/us/products/2302117>



Assembled shielded round cable; connection 1: D-SUB socket strip (1x 15-position); connection 2: D-SUB pin strip (1x 15-position); cable length: 6 m

VFC-PT/D15SUB/F - Interface module

1278824

<https://www.phoenixcontact.com/us/products/1278824>

CABLE-D15SUB/B/S/HF/S/ 1,0M - Cable

1066600

<https://www.phoenixcontact.com/us/products/1066600>



Assembled, shielded, halogen-free round cable; connection 1: D-SUB socket strip (1x 15-position); connection 2: D-SUB pin strip (1x 15-position); cable length: 1 m

CABLE-D15SUB/B/S/HF/S/ 2,0M - Cable

1066602

<https://www.phoenixcontact.com/us/products/1066602>



Assembled, shielded, halogen-free round cable; connection 1: D-SUB socket strip (1x 15-position); connection 2: D-SUB pin strip (1x 15-position); cable length: 2 m

VFC-PT/D15SUB/F - Interface module

1278824

<https://www.phoenixcontact.com/us/products/1278824>



CABLE-D15SUB/B/S/HF/S/ 3,0M - Cable

1066603

<https://www.phoenixcontact.com/us/products/1066603>



Assembled, shielded, halogen-free round cable; connection 1: D-SUB socket strip (1x 15-position); connection 2: D-SUB pin strip (1x 15-position); cable length: 3 m

CABLE-D15SUB-B-S-HF-S/... - Cable

1075565

<https://www.phoenixcontact.com/us/products/1075565>



Assembled, shielded, halogen-free round cable; connection 1: D-SUB socket strip (1x 15-position); connection 2: D-SUB pin strip (1x 15-position); cable length: variable

VFC-PT/D15SUB/F - Interface module



1278824

<https://www.phoenixcontact.com/us/products/1278824>

CABLE-D15SUB/S/S/100/KONFEK/S - Cable

2305606

<https://www.phoenixcontact.com/us/products/2305606>



Assembled shielded round cable; connection 1: D-SUB pin strip (1x 15-position); connection 2: D-SUB pin strip (1x 15-position); cable length: 1 m

CABLE-D15SUB/S/S/200/KONFEK/S - Cable

2305619

<https://www.phoenixcontact.com/us/products/2305619>



Assembled shielded round cable; connection 1: D-SUB pin strip (1x 15-position); connection 2: D-SUB pin strip (1x 15-position); cable length: 2 m

VFC-PT/D15SUB/F - Interface module

1278824

<https://www.phoenixcontact.com/us/products/1278824>



CABLE-D15SUB/S/S/300/KONFEK/S - Cable

2305622

<https://www.phoenixcontact.com/us/products/2305622>



Assembled shielded round cable; connection 1: D-SUB pin strip (1x 15-position); connection 2: D-SUB pin strip (1x 15-position); cable length: 3 m

CABLE-D15SUB/S/S/HF/S/ 1,0M - Cable

1066604

<https://www.phoenixcontact.com/us/products/1066604>



Assembled, shielded, halogen-free round cable; connection 1: D-SUB pin strip (1x 15-position); connection 2: D-SUB pin strip (1x 15-position); cable length: 1 m

VFC-PT/D15SUB/F - Interface module

1278824

<https://www.phoenixcontact.com/us/products/1278824>

CABLE-D15SUB/S/S/HF/S/ 2,0M - Cable

1066606

<https://www.phoenixcontact.com/us/products/1066606>



Assembled, shielded, halogen-free round cable; connection 1: D-SUB pin strip (1x 15-position); connection 2: D-SUB pin strip (1x 15-position); cable length: 2 m

CABLE-D15SUB/S/S/HF/S/ 3,0M - Cable

1066607

<https://www.phoenixcontact.com/us/products/1066607>



Assembled, shielded, halogen-free round cable; connection 1: D-SUB pin strip (1x 15-position); connection 2: D-SUB pin strip (1x 15-position); cable length: 3 m

VFC-PT/D15SUB/F - Interface module

1278824

<https://www.phoenixcontact.com/us/products/1278824>



CABLE-D15SUB-S-S-HF-S/... - Cable

1075564

<https://www.phoenixcontact.com/us/products/1075564>



Assembled, shielded, halogen-free round cable; connection 1: D-SUB pin strip (1x 15-position); connection 2: D-SUB pin strip (1x 15-position); cable length: variable

CABLE-D-15SUB/M/OE/0,25/S/0,5M - Cable

2926438

<https://www.phoenixcontact.com/us/products/2926438>



Assembled shielded round cable; connection 1: Single wires (15-position) (The wires are marked and fitted with ferrules. The braided shield is routed to a separate cable end.); connection 2: D-SUB pin strip (1x 15-position); cable length: 0.5 m

VFC-PT/D15SUB/F - Interface module

1278824

<https://www.phoenixcontact.com/us/products/1278824>

CABLE-D-15SUB/M/OE/0,25/S/1,0M - Cable

2926441

<https://www.phoenixcontact.com/us/products/2926441>



Assembled shielded round cable; connection 1: Single wires (15-position) (The wires are marked and fitted with ferrules. The braided shield is routed to a separate cable end.); connection 2: D-SUB pin strip (1x 15-position); cable length: 1 m

CABLE-D-15SUB/M/OE/0,25/S/1,5M - Cable

2926454

<https://www.phoenixcontact.com/us/products/2926454>



Assembled shielded round cable; connection 1: Single wires (15-position) (The wires are marked and fitted with ferrules. The braided shield is routed to a separate cable end.); connection 2: D-SUB pin strip (1x 15-position); cable length: 1.5 m

VFC-PT/D15SUB/F - Interface module

1278824

<https://www.phoenixcontact.com/us/products/1278824>



CABLE-D-15SUB/M/OE/0,25/S/2,0M - Cable

2926467

<https://www.phoenixcontact.com/us/products/2926467>



Assembled shielded round cable; connection 1: Single wires (15-position) (The wires are marked and fitted with ferrules. The braided shield is routed to a separate cable end.); connection 2: D-SUB pin strip (1x 15-position); cable length: 2 m

CABLE-D-15SUB/M/OE/0,25/S/3,0M - Cable

2926470

<https://www.phoenixcontact.com/us/products/2926470>



Assembled shielded round cable; connection 1: Single wires (15-position) (The wires are marked and fitted with ferrules. The braided shield is routed to a separate cable end.); connection 2: D-SUB pin strip (1x 15-position); cable length: 3 m

VFC-PT/D15SUB/F - Interface module



1278824

<https://www.phoenixcontact.com/us/products/1278824>

CABLE-D-15SUB/M/OE/0,25/S/4,0M - Cable

2926483

<https://www.phoenixcontact.com/us/products/2926483>



Assembled shielded round cable; connection 1: Single wires (15-position) (The wires are marked and fitted with ferrules. The braided shield is routed to a separate cable end.); connection 2: D-SUB pin strip (1x 15-position); cable length: 4 m

CABLE-D-15SUB/M/OE/0,25/S/6,0M - Cable

2926496

<https://www.phoenixcontact.com/us/products/2926496>



Assembled shielded round cable; connection 1: Single wires (15-position) (The wires are marked and fitted with ferrules. The braided shield is routed to a separate cable end.); connection 2: D-SUB pin strip (1x 15-position); cable length: 6 m

VFC-PT/D15SUB/F - Interface module

1278824

<https://www.phoenixcontact.com/us/products/1278824>



CABLE-D-15SUB-M-OE-0,25-S/... - Cable

2900910

<https://www.phoenixcontact.com/us/products/2900910>



Assembled shielded round cable; connection 1: Single wires (15-position) (The wires are marked and fitted with ferrules. The braided shield is routed to a separate cable end.); connection 2: D-SUB pin strip (1x 15-position); cable length: variable

Phoenix Contact 2023 © - all rights reserved

<https://www.phoenixcontact.com>

Phoenix Contact USA
586 Fulling Mill Road
Middletown, PA 17057, United States
(+717) 944-1300
info@phoenixcon.com