

DFLK-D25 SUB/S - Interface module



2280310

<https://www.phoenixcontact.com/us/products/2280310>

Please be informed that the data shown in this PDF document is generated from our online catalog. Please find the complete data in the user documentation. Our general terms of use for downloads are valid.



The VARIOFACE feed-through module implements a 1:1 connection between screw connection terminal blocks and a D-SUB miniature pin strip (number of positions: 25). A separate ground pick-off is available.

Your advantages

- 9-pos. ... 50-pos.
- 9-□...□37-pos.: separate ground pick-off
- 50-pos.: no ground pick-off
- In accordance with IEC□60807-2
- 1:1 connection
- D-SUB 4-40 UNC thread
- Screw connection

Commercial data

| | |
|--------------------------------------|---------------------|
| Item number | 2280310 |
| Packing unit | 5 pc |
| Minimum order quantity | 5 pc |
| Sales key | C422 |
| Product key | CK21C2 |
| Catalog page | Page 556 (C-5-2019) |
| GTIN | 4017918054427 |
| Weight per piece (including packing) | 84.27 g |
| Weight per piece (excluding packing) | 0.91 g |
| Customs tariff number | 85369010 |
| Country of origin | DE |

DFLK-D25 SUB/S - Interface module



2280310

<https://www.phoenixcontact.com/us/products/2280310>

Technical data

Product properties

| | |
|---------------------|------------------|
| Product type | Interface module |
| Product family | VARIOFACE |
| Number of positions | 25 |

Insulation characteristics

| | |
|------------|-----------------------|
| Insulation | Functional insulation |
|------------|-----------------------|

Insulation characteristics: Air clearances and creepage distances

| | |
|----------------------|-----------------------|
| Insulation | Functional insulation |
| Overvoltage category | II |
| Pollution degree | 2 |

Electrical properties

| | |
|-------------------------|----------------|
| Operating voltage (AC) | ≤ 30 V AC |
| Operating voltage (DC) | ≤ 60 V DC |
| Current (per branch) | ≤ 2.5 A |
| Current (Total current) | ≤ 50 A (50 °C) |

Air clearances and creepage distances

| | |
|--------------------------|--------------------|
| Rated insulation voltage | 125 V |
| Rated surge voltage | 1.2 kV (1.2/50 μs) |

Connection data

Connection 1 (control level)

| | |
|----------------------------------|-----------------|
| Connection in acc. with standard | IEC 60807-2 |
| Connection method | D-SUB pin strip |
| Screw thread | UNC 4-40 |
| Number of connections | 1 |
| Number of positions | 25 |
| Insertion/withdrawal cycles | > 500 |
| Pitch | 2.77 mm |

Connection 2 (field level)

| | |
|--|---|
| Connection method | Screw connection |
| Stripping length | 8 mm |
| Screw thread | M3 |
| Number of positions | 16 |
| Conductor cross section rigid | 0.2 mm ² ... 4 mm ² |
| Conductor cross-section rigid (2 conductors with same cross section) | 0.2 mm ² ... 1.5 mm ² |
| Conductor cross section flexible | 0.2 mm ² ... 2.5 mm ² |
| | 0.25 mm ² ... 2.5 mm ² (Ferrule without plastic sleeve) |

DFLK-D25 SUB/S - Interface module



2280310

<https://www.phoenixcontact.com/us/products/2280310>

| | |
|---|--|
| | 0.25 mm ² ... 2.5 mm ² (Ferrule with plastic sleeve) |
| Conductor cross section flexible (2 conductors with same cross section) | 0.2 mm ² ... 1.5 mm ² |
| | 0.25 mm ² ... 0.75 mm ² (Ferrule without plastic sleeve) |
| | 0.5 mm ² ... 1.5 mm ² (TWIN ferrule with plastic sleeve) |
| Conductor cross section AWG | 24 ... 12 |
| Tightening torque | 0.5 Nm ... 0.6 Nm |
| Pitch | 5 mm |

Signaling

| | |
|------------------------|----|
| Status display present | No |
|------------------------|----|

Dimensions

Item dimensions

| | |
|--------|----------|
| Width | 39.88 mm |
| Height | 83.4 mm |
| Depth | 33 mm |

Material specifications

| | |
|-----------------------------|-----------------------------|
| Color | gray (RAL 7042) |
| Housing insulation material | Polyamide PA non-reinforced |

Environmental and real-life conditions

Ambient conditions

| | |
|--|------------------|
| Degree of protection (Module) | IP20 |
| Degree of protection (Installation location) | ≥ IP54 |
| Ambient temperature (operation) | -20 °C ... 50 °C |
| Ambient temperature (storage/transport) | -20 °C ... 70 °C |
| Altitude | ≤ 2000 m |

Approvals

UKCA

| | |
|-------------|----------------|
| Certificate | UKCA-compliant |
|-------------|----------------|

Standards and regulations

Air clearances and creepage distances

| | |
|-----------------------|----------------|
| Standards/regulations | EN IEC 60664-1 |
|-----------------------|----------------|

Mounting

| | |
|-------------------|---------------|
| Mounting type | Rear mounting |
| Mounting position | any |

Notes

| | |
|--------------------|---|
| Notes on operation | For proper use, the specifications of the installation directive (see |
|--------------------|---|

DFLK-D25 SUB/S - Interface module



2280310

<https://www.phoenixcontact.com/us/products/2280310>

Downloads) must be observed. For applications or use with third-party products, the specifications, and the safety and warning instructions of the respective third-party manufacturer must also be met.

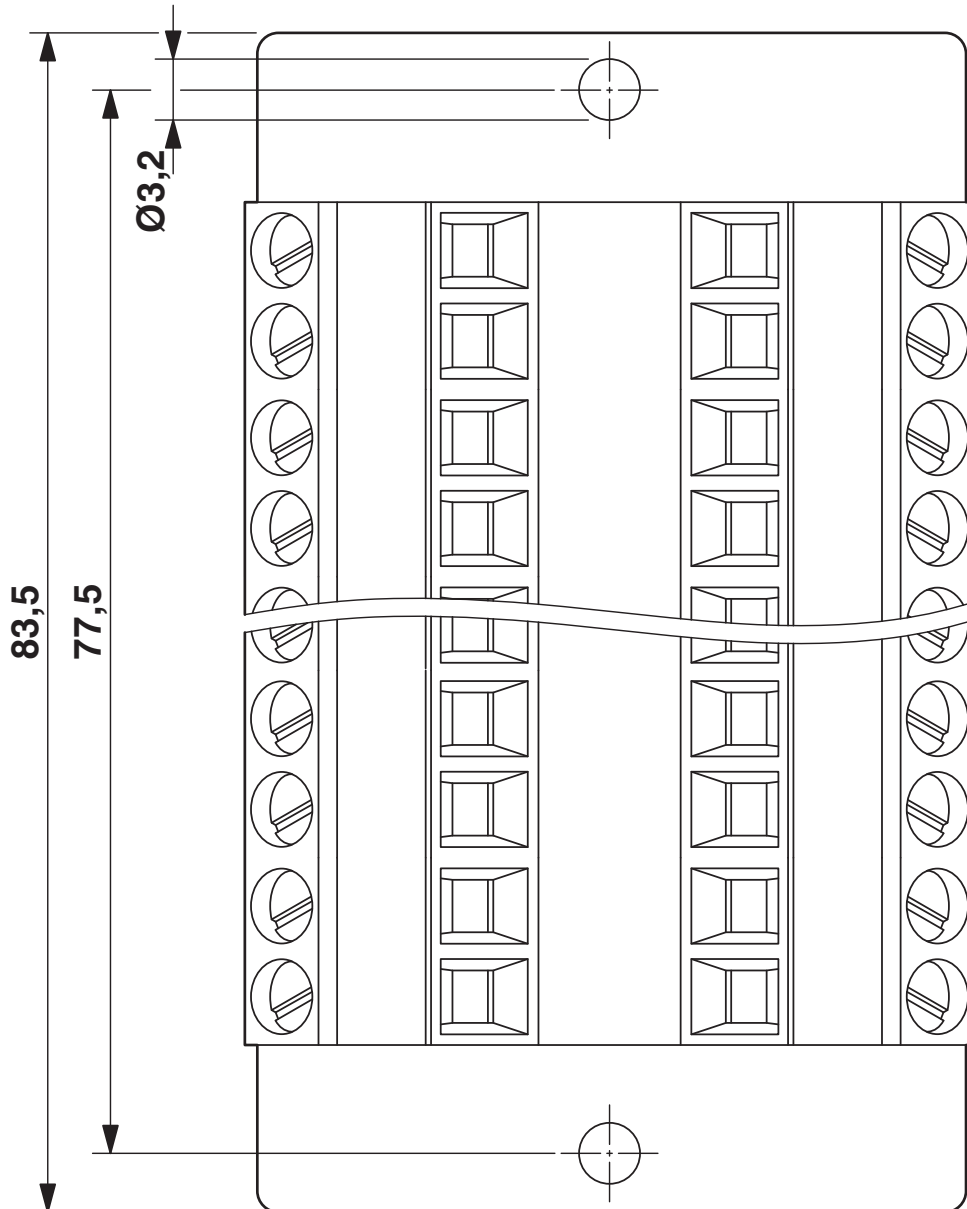
DFLK-D25 SUB/S - Interface module

2280310

<https://www.phoenixcontact.com/us/products/2280310>

Drawings

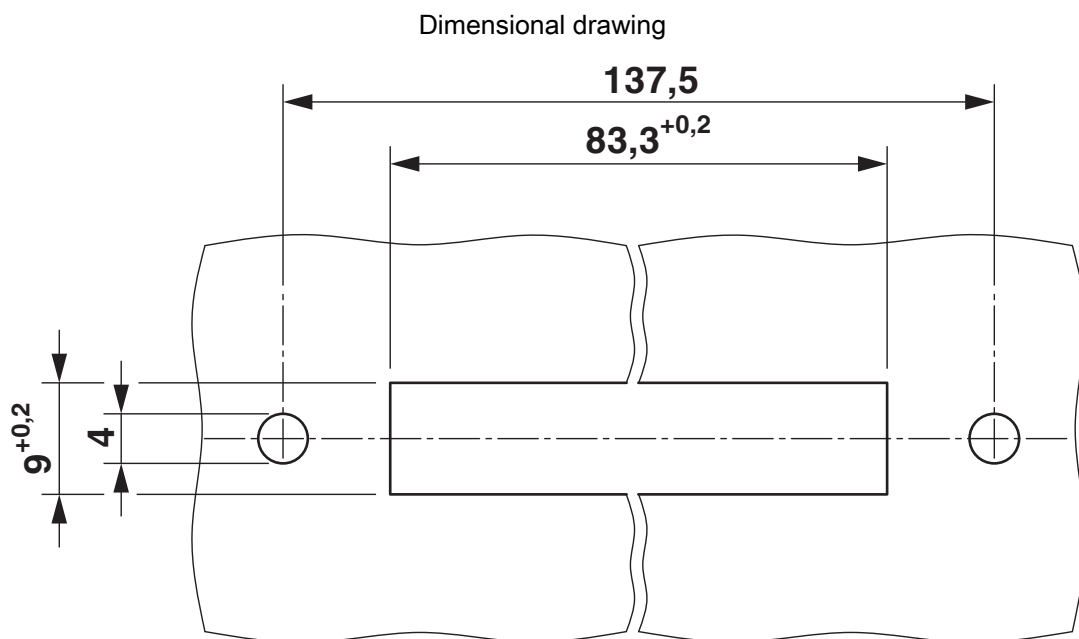
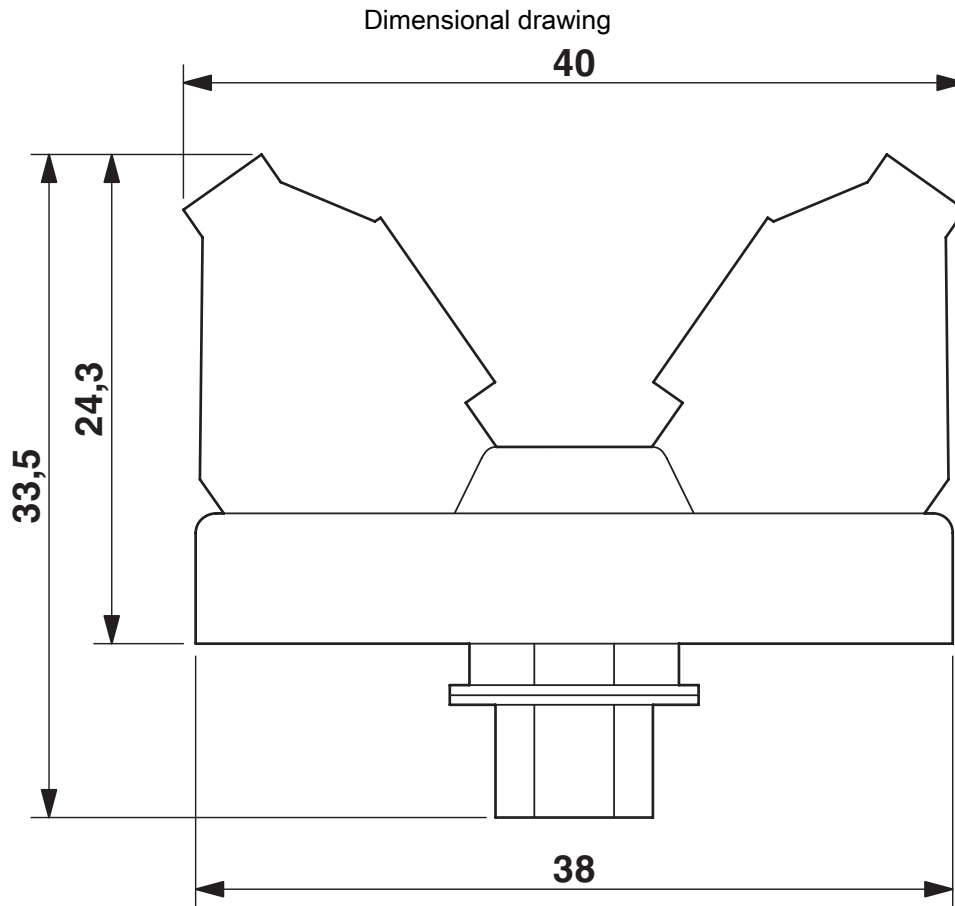
Dimensional drawing



DFLK-D25 SUB/S - Interface module

2280310

<https://www.phoenixcontact.com/us/products/2280310>



DFLK-D25 SUB/S - Interface module





2280310

<https://www.phoenixcontact.com/us/products/2280310>

Approvals

To download certificates, visit the product detail page: <https://www.phoenixcontact.com/us/products/2280310>

|  cUL Recognized Approval ID: FILE E 60425 | | | | |
|--|-----------------------|-----------------------|-------------------|-----------------------------|
| | Nominal voltage U_N | Nominal current I_N | Cross section AWG | Cross section mm^2 |
| | 125 V | 2.5 A | 30 - 12 | - |

|  UL Recognized Approval ID: FILE E 60425 | | | | |
|---|-----------------------|-----------------------|-------------------|-----------------------------|
| | Nominal voltage U_N | Nominal current I_N | Cross section AWG | Cross section mm^2 |
| | 125 V | 2.5 A | 30 - 12 | - |

| cULus Recognized | | | | |
|-------------------------|--|--|--|--|
|-------------------------|--|--|--|--|

DFLK-D25 SUB/S - Interface module



2280310

<https://www.phoenixcontact.com/us/products/2280310>

Classifications

ECLASS

| | |
|-------------|----------|
| ECLASS-11.0 | 27141152 |
| ECLASS-12.0 | 27141152 |
| ECLASS-13.0 | 27141152 |

ETIM

| | |
|----------|----------|
| ETIM 9.0 | EC002780 |
|----------|----------|

UNSPSC

| | |
|-------------|----------|
| UNSPSC 21.0 | 39121400 |
|-------------|----------|

DFLK-D25 SUB/S - Interface module



2280310

<https://www.phoenixcontact.com/us/products/2280310>

Environmental product compliance

EU RoHS

| | |
|---|--------------------|
| Fulfills EU RoHS substance requirements | Yes, No exemptions |
|---|--------------------|

China RoHS

| | |
|--|--|
| Environment friendly use period (EFUP) | EFUP-E |
| | No hazardous substances above the limits |

EU REACH SVHC

| | |
|-------------------------------------|----------------------------|
| REACH candidate substance (CAS No.) | No substance above 0.1 wt% |
|-------------------------------------|----------------------------|

DFLK-D25 SUB/S - Interface module



2280310

<https://www.phoenixcontact.com/us/products/2280310>

Accessories

CABLE D-SUB-S/.../.../... - Cable

2302340

<https://www.phoenixcontact.com/us/products/2302340>



Shielded round cable, assembled with one D-SUB female and pin strip (9-, 15-, 25-, 37-, or 50-pos.), variable cable length

CABLE D-SUB-B-B-S/.../.../... - Cable

2302421

<https://www.phoenixcontact.com/us/products/2302421>



Shielded round cable, assembled with two D-SUB female strips (9-, 15-, 25-, 37-, or 50-pos.), variable cable length

DFLK-D25 SUB/S - Interface module

2280310

<https://www.phoenixcontact.com/us/products/2280310>



CABLE-D25SUB/B/S/ 50/KONFEK/S - Cable

2302120

<https://www.phoenixcontact.com/us/products/2302120>



Assembled shielded round cable; connection 1: D-SUB socket strip (1x 25-position); connection 2: D-SUB pin strip (1x 25-position); cable length: 0.5 m

CABLE-D25SUB/B/S/100/KONFEK/S - Cable

2302133

<https://www.phoenixcontact.com/us/products/2302133>



Assembled shielded round cable; connection 1: D-SUB socket strip (1x 25-position); connection 2: D-SUB pin strip (1x 25-position); cable length: 1 m

DFLK-D25 SUB/S - Interface module

2280310

<https://www.phoenixcontact.com/us/products/2280310>



CABLE-D25SUB/B/S/150/KONFEK/S - Cable

2302146

<https://www.phoenixcontact.com/us/products/2302146>



Assembled shielded round cable; connection 1: D-SUB socket strip (1x 25-position); connection 2: D-SUB pin strip (1x 25-position); cable length: 1.5 m

CABLE-D25SUB/B/S/200/KONFEK/S - Cable

2302159

<https://www.phoenixcontact.com/us/products/2302159>



Assembled shielded round cable; connection 1: D-SUB socket strip (1x 25-position); connection 2: D-SUB pin strip (1x 25-position); cable length: 2 m

DFLK-D25 SUB/S - Interface module

2280310

<https://www.phoenixcontact.com/us/products/2280310>



CABLE-D25SUB/B/S/300/KONFEK/S - Cable

2302162

<https://www.phoenixcontact.com/us/products/2302162>



Assembled shielded round cable; connection 1: D-SUB socket strip (1x 25-position); connection 2: D-SUB pin strip (1x 25-position); cable length: 3 m

CABLE-D25SUB/B/S/400/KONFEK/S - Cable

2302175

<https://www.phoenixcontact.com/us/products/2302175>



Assembled shielded round cable; connection 1: D-SUB socket strip (1x 25-position); connection 2: D-SUB pin strip (1x 25-position); cable length: 4 m

DFLK-D25 SUB/S - Interface module



2280310

<https://www.phoenixcontact.com/us/products/2280310>

CABLE-D25SUB/B/S/600/KONFEK/S - Cable

2302188

<https://www.phoenixcontact.com/us/products/2302188>



Assembled shielded round cable; connection 1: D-SUB socket strip (1x 25-position); connection 2: D-SUB pin strip (1x 25-position); cable length: 6 m

CABLE-D25SUB/B/S/HF/S/ 1,0M - Cable

1066665

<https://www.phoenixcontact.com/us/products/1066665>



Assembled, shielded, halogen-free round cable; connection 1: D-SUB socket strip (1x 25-position); connection 2: D-SUB pin strip (1x 25-position); cable length: 1 m

DFLK-D25 SUB/S - Interface module



2280310

<https://www.phoenixcontact.com/us/products/2280310>

CABLE-D25SUB/B/S/HF/S/ 2,0M - Cable

1066666

<https://www.phoenixcontact.com/us/products/1066666>



Assembled, shielded, halogen-free round cable; connection 1: D-SUB socket strip (1x 25-position); connection 2: D-SUB pin strip (1x 25-position); cable length: 2 m

CABLE-D25SUB/B/S/HF/S/ 3,0M - Cable

1066667

<https://www.phoenixcontact.com/us/products/1066667>



Assembled, shielded, halogen-free round cable; connection 1: D-SUB socket strip (1x 25-position); connection 2: D-SUB pin strip (1x 25-position); cable length: 3 m

DFLK-D25 SUB/S - Interface module

2280310

<https://www.phoenixcontact.com/us/products/2280310>



CABLE-D25SUB-B-S-HF-S/... - Cable

1075559

<https://www.phoenixcontact.com/us/products/1075559>



Assembled, shielded, halogen-free round cable; connection 1: D-SUB socket strip (1x 25-position); connection 2: D-SUB pin strip (1x 25-position); cable length: variable

CABLE-D-25SUB/F/OE/0,25/S/0,5M - Cable

2926153

<https://www.phoenixcontact.com/us/products/2926153>



Assembled shielded round cable; connection 1: Single wires (25-position) (The wires are marked and fitted with ferrules. The braided shield is routed to a separate cable end.); connection 2: D-SUB socket strip (1x 25-position); cable length: 0.5 m

DFLK-D25 SUB/S - Interface module



2280310

<https://www.phoenixcontact.com/us/products/2280310>

CABLE-D-25SUB/F/OE/0,25/S/1,0M - Cable

2926166

<https://www.phoenixcontact.com/us/products/2926166>



Assembled shielded round cable; connection 1: Single wires (25-position) (The wires are marked and fitted with ferrules. The braided shield is routed to a separate cable end.); connection 2: D-SUB socket strip (1x 25-position); cable length: 1 m

CABLE-D-25SUB/F/OE/0,25/S/1,5M - Cable

2926179

<https://www.phoenixcontact.com/us/products/2926179>



Assembled shielded round cable; connection 1: Single wires (25-position) (The wires are marked and fitted with ferrules. The braided shield is routed to a separate cable end.); connection 2: D-SUB socket strip (1x 25-position); cable length: 1.5 m

DFLK-D25 SUB/S - Interface module



2280310

<https://www.phoenixcontact.com/us/products/2280310>

CABLE-D-25SUB/F/OE/0,25/S/2,0M - Cable

2926182

<https://www.phoenixcontact.com/us/products/2926182>



Assembled shielded round cable; connection 1: Single wires (25-position) (The wires are marked and fitted with ferrules. The braided shield is routed to a separate cable end.); connection 2: D-SUB socket strip (1x 25-position); cable length: 2 m

CABLE-D-25SUB/F/OE/0,25/S/3,0M - Cable

2926195

<https://www.phoenixcontact.com/us/products/2926195>



Assembled shielded round cable; connection 1: Single wires (25-position) (The wires are marked and fitted with ferrules. The braided shield is routed to a separate cable end.); connection 2: D-SUB socket strip (1x 25-position); cable length: 3 m

DFLK-D25 SUB/S - Interface module



2280310

<https://www.phoenixcontact.com/us/products/2280310>

CABLE-D-25SUB/F/OE/0,25/S/4,0M - Cable

2926205

<https://www.phoenixcontact.com/us/products/2926205>



Assembled shielded round cable; connection 1: Single wires (25-position) (The wires are marked and fitted with ferrules. The braided shield is routed to a separate cable end.); connection 2: D-SUB socket strip (1x 25-position); cable length: 4 m

CABLE-D-25SUB/F/OE/0,25/S/6,0M - Cable

2926218

<https://www.phoenixcontact.com/us/products/2926218>



Assembled shielded round cable; connection 1: Single wires (25-position) (The wires are marked and fitted with ferrules. The braided shield is routed to a separate cable end.); connection 2: D-SUB socket strip (1x 25-position); cable length: 6 m

DFLK-D25 SUB/S - Interface module



2280310

<https://www.phoenixcontact.com/us/products/2280310>

CABLE-D-25SUB/F/OE/0,25/S/10M - Cable

2906214

<https://www.phoenixcontact.com/us/products/2906214>



Assembled shielded round cable; connection 1: Single wires (25-position) (The wires are marked and fitted with ferrules. The braided shield is routed to a separate cable end.); connection 2: D-SUB socket strip (1x 25-position); cable length: 10 m

CABLE-D-25SUB/F/OE/0,25/S/15M - Cable

2906215

<https://www.phoenixcontact.com/us/products/2906215>



Assembled shielded round cable; connection 1: Single wires (25-position) (The wires are marked and fitted with ferrules. The braided shield is routed to a separate cable end.); connection 2: D-SUB socket strip (1x 25-position); cable length: 15 m

DFLK-D25 SUB/S - Interface module

2280310

<https://www.phoenixcontact.com/us/products/2280310>



CABLE-D-25SUB/F/OE/0,25/S/20M - Cable

2906216

<https://www.phoenixcontact.com/us/products/2906216>



Assembled shielded round cable; connection 1: Single wires (25-position) (The wires are marked and fitted with ferrules. The braided shield is routed to a separate cable end.); connection 2: D-SUB socket strip (1x 25-position); cable length: 20 m

CABLE-D-25SUB-F-OE-0,25-S/... - Cable

2900906

<https://www.phoenixcontact.com/us/products/2900906>



Assembled shielded round cable; connection 1: Single wires (25-position) (The wires are marked and fitted with ferrules. The braided shield is routed to a separate cable end.); connection 2: D-SUB socket strip (1x 25-position); cable length: variable

Phoenix Contact 2024 © - all rights reserved
<https://www.phoenixcontact.com>

Phoenix Contact USA
586 Fulling Mill Road
Middletown, PA 17057, United States
(+717) 944-1300
info@phoenixcon.com