

# DFLK 40 - Interface module

2280271

<https://www.phoenixcontact.com/us/products/2280271>

Please be informed that the data shown in this PDF document is generated from our online catalog. Please find the complete data in the user documentation. Our general terms of use for downloads are valid.



The VARIOFACE feed-through module implements a 1:1 connection between screw connection terminal blocks and an IDC/FLK pin strip (2.54 mm, number of positions: 40).

## Commercial data

Item number	2280271
Packing unit	5 pc
Minimum order quantity	5 pc
Note	Made to order (non-returnable)
Sales key	C422
Product key	CK21C1
Catalog page	Page 582 (C-7-2015)
GTIN	4017918054380
Weight per piece (including packing)	132.41 g
Weight per piece (excluding packing)	1.36 g
Customs tariff number	85369010
Country of origin	DE

# DFLK 40 - Interface module



2280271

<https://www.phoenixcontact.com/us/products/2280271>

## Technical data

### Product properties

Product type	Interface module
Product family	VARIOFACE
Number of positions	40
No. of channels	2
	4
	6
	8
	16
	32
Operating mode	100% operating factor

### Insulation characteristics

Insulation	Functional insulation
------------	-----------------------

### Insulation characteristics: Air clearances and creepage distances

Insulation	Functional insulation
Overvoltage category	II
Pollution degree	2

### Electrical properties

Operating voltage (AC)	≤ 30 V AC
Operating voltage (DC)	≤ 60 V DC
Current (per branch)	≤ 1 A
Current (Total current)	≤ 40 A (50 °C)

### Air clearances and creepage distances

Rated insulation voltage	63 V
Rated surge voltage	0.6 kV (1.2/50 μs)

### Supported controller ALLEN-BRADLEY SLC 500

Suitable I/O card	1746 OB 32
	1746 OV 32
	1746 IB 32
	1746 IV 32

### Connection data

#### Connection 1 (control level)

Connection in acc. with standard	IEC 60603-13
Connection method	IDC/FLK pin strip
Number of connections	1
Number of positions	40
Insertion/withdrawal cycles	> 50

# DFLK 40 - Interface module



2280271

<https://www.phoenixcontact.com/us/products/2280271>

Pitch	2.54 mm
Connection 2 (field level)	
Connection method	Screw connection
Stripping length	8 mm
Screw thread	M3
Number of positions	16
Conductor cross section rigid	0.2 mm <sup>2</sup> ... 4 mm <sup>2</sup>
Conductor cross-section rigid (2 conductors with same cross section)	0.2 mm <sup>2</sup> ... 1.5 mm <sup>2</sup>
Conductor cross section flexible	0.2 mm <sup>2</sup> ... 2.5 mm <sup>2</sup>
	0.25 mm <sup>2</sup> ... 2.5 mm <sup>2</sup> (Ferrule without plastic sleeve)
	0.25 mm <sup>2</sup> ... 2.5 mm <sup>2</sup> (Ferrule with plastic sleeve)
Conductor cross section flexible (2 conductors with same cross section)	0.2 mm <sup>2</sup> ... 1.5 mm <sup>2</sup>
	0.25 mm <sup>2</sup> ... 0.75 mm <sup>2</sup> (Ferrule without plastic sleeve)
	0.5 mm <sup>2</sup> ... 1.5 mm <sup>2</sup> (TWIN ferrule with plastic sleeve)
Conductor cross section AWG	24 ... 12
Tightening torque	0.5 Nm ... 0.6 Nm
Pitch	5 mm

## Signaling

Status display present	No
------------------------	----

## Dimensions

### Item dimensions

Width	39.88 mm
Height	128.4 mm
Depth	47.24 mm

## Material specifications

Color	gray (RAL 7042)
Housing insulation material	Polyamide 6.6 green

## Environmental and real-life conditions

### Ambient conditions

Degree of protection (Module)	IP20
Degree of protection (Installation location)	≥ IP54
Ambient temperature (operation)	-20 °C ... 50 °C
Ambient temperature (storage/transport)	-20 °C ... 70 °C
Altitude	≤ 2000 m

## Approvals

### UKCA

Certificate	UKCA-compliant
-------------	----------------

# DFLK 40 - Interface module



2280271

<https://www.phoenixcontact.com/us/products/2280271>

## Standards and regulations

### Air clearances and creepage distances

Standards/regulations	EN IEC 60664-1
-----------------------	----------------

## Mounting

Mounting type	Rear mounting
Mounting position	any

## Notes

Notes on operation	For proper use, the specifications of the installation directive (see Downloads) must be observed. For applications or use with third-party products, the specifications, and the safety and warning instructions of the respective third-party manufacturer must also be met.
--------------------	--

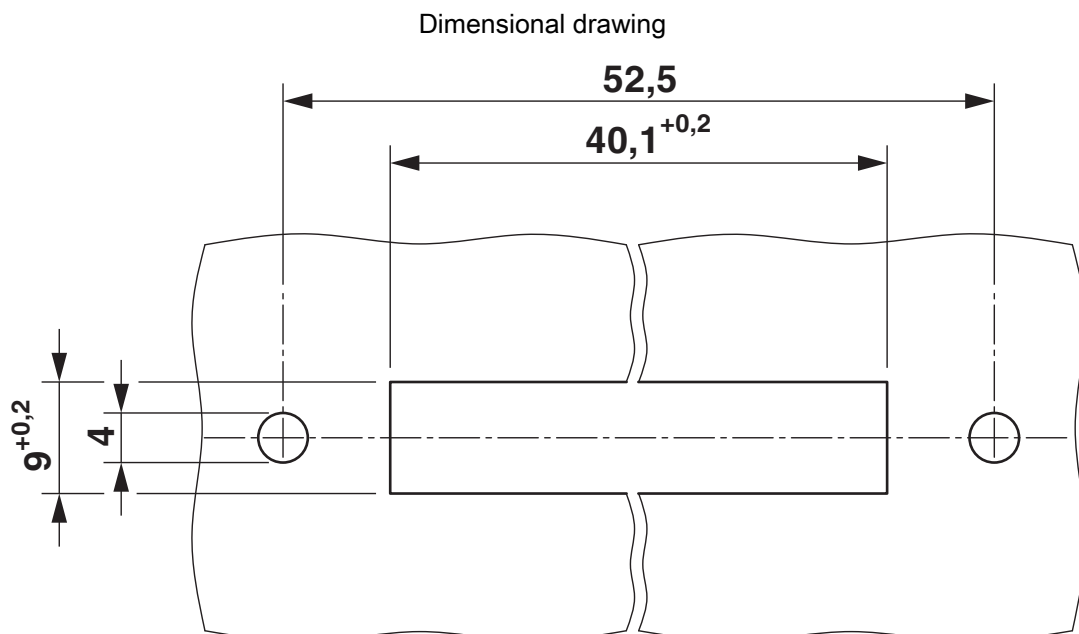
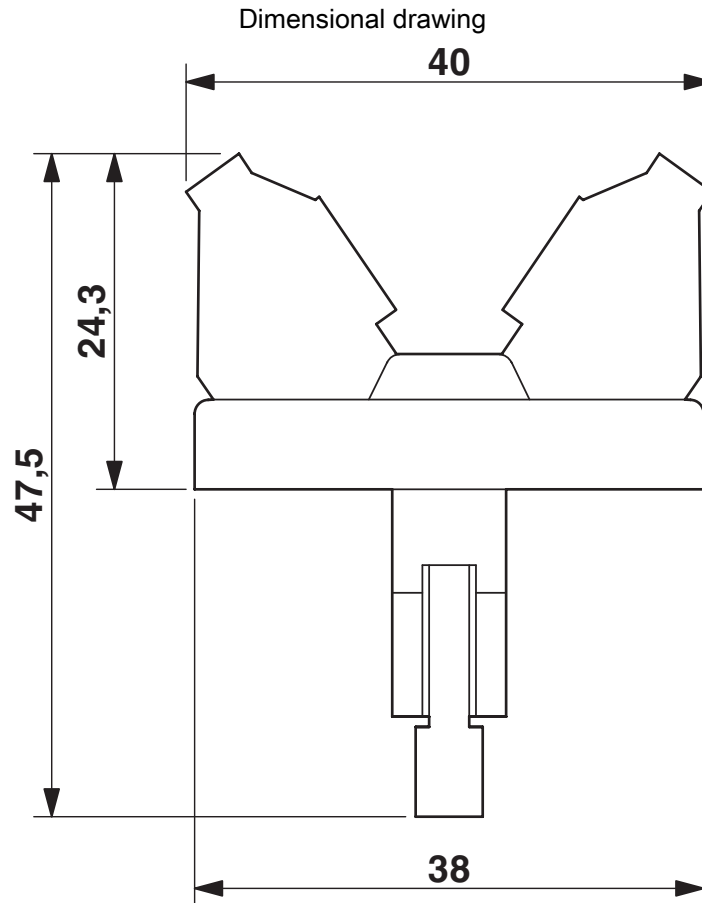
# DFLK 40 - Interface module

2280271

<https://www.phoenixcontact.com/us/products/2280271>



## Drawings



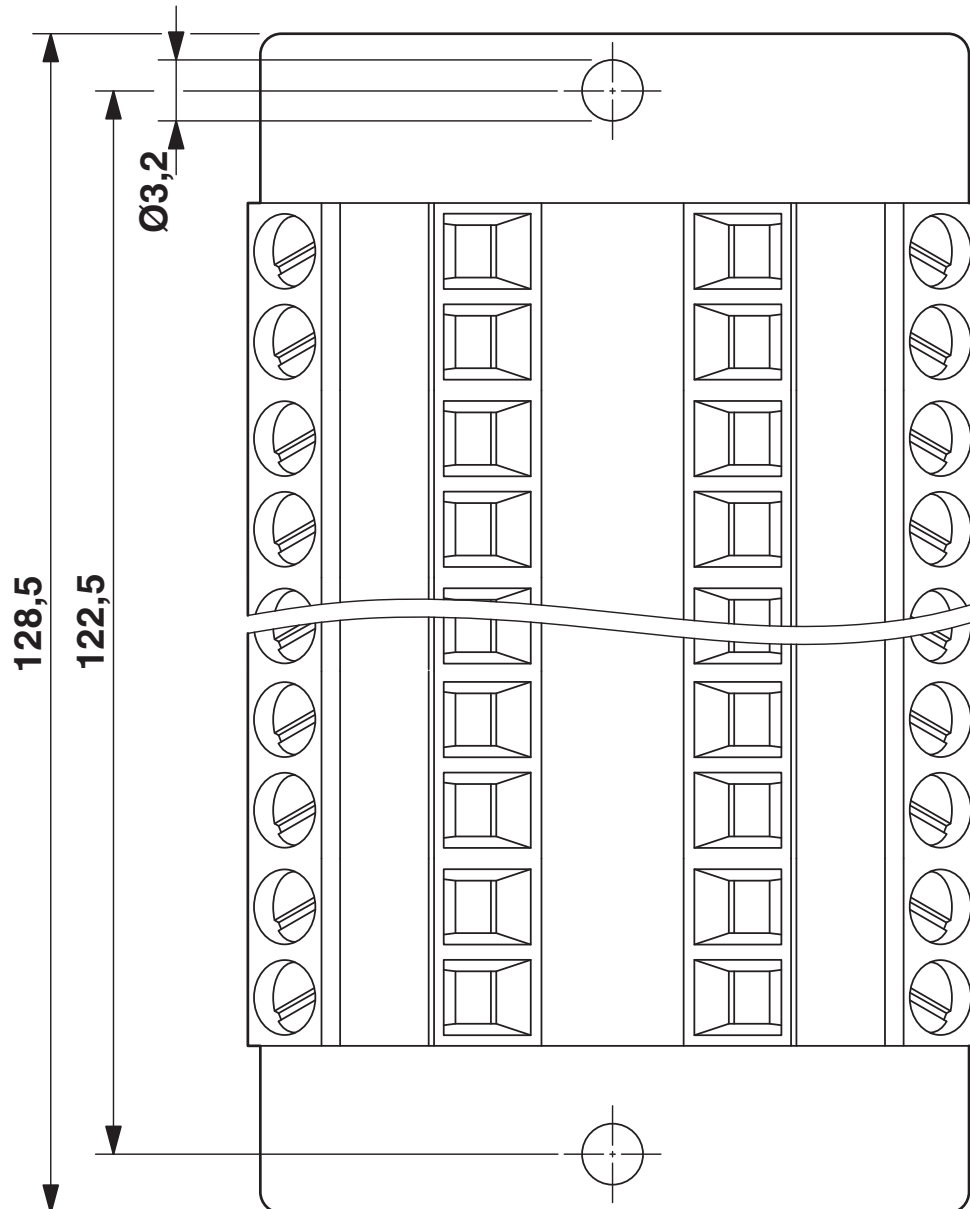
# DFLK 40 - Interface module

2280271

<https://www.phoenixcontact.com/us/products/2280271>



Dimensional drawing



# DFLK 40 - Interface module



2280271

<https://www.phoenixcontact.com/us/products/2280271>

## Classifications

### ECLASS

ECLASS-11.0	27141152
ECLASS-12.0	27141152
ECLASS-13.0	27141152

### ETIM

ETIM 9.0	EC002780
----------	----------

### UNSPSC

UNSPSC 21.0	39121400
-------------	----------

# DFLK 40 - Interface module

2280271

<https://www.phoenixcontact.com/us/products/2280271>



## Environmental product compliance

### EU RoHS

Fulfills EU RoHS substance requirements	Yes, No exemptions
---	--------------------

### China RoHS

Environment friendly use period (EFUP)	EFUP-E
	No hazardous substances above the limits

### EU REACH SVHC

REACH candidate substance (CAS No.)	No substance above 0.1 wt%
-------------------------------------	----------------------------



# DFLK 40 - Interface module

2280271

<https://www.phoenixcontact.com/us/products/2280271>



## Accessories

### FLK EZ-DR.../.../... - Cable

2295059

<https://www.phoenixcontact.com/us/products/2295059>

Round cable, with preassembly, not shielded, variable cable length



---

### FLK 40/EZ-DR/ 50/KONFEK - Cable

2288985

<https://www.phoenixcontact.com/us/products/2288985>

Round cable set; connection 1: IDC/FLK socket strip (1x 40-position); connection 2: IDC/FLK socket strip (1x 40-position); cable length: 0.5 m



# DFLK 40 - Interface module

2280271

<https://www.phoenixcontact.com/us/products/2280271>



## FLK 40/EZ-DR/ 100/KONFEK - Cable

2288998

<https://www.phoenixcontact.com/us/products/2288998>



Round cable set; connection 1: IDC/FLK socket strip (1x 40-position); connection 2: IDC/FLK socket strip (1x 40-position); cable length: 1 m

---

## FLK 40/EZ-DR/ 150/KONFEK - Cable

2289007

<https://www.phoenixcontact.com/us/products/2289007>



Round cable set; connection 1: IDC/FLK socket strip (1x 40-position); connection 2: IDC/FLK socket strip (1x 40-position); cable length: 1.5 m

# DFLK 40 - Interface module

2280271

<https://www.phoenixcontact.com/us/products/2280271>

## FLK 40/EZ-DR/ 200/KONFEK - Cable

2289010

<https://www.phoenixcontact.com/us/products/2289010>



Round cable set; connection 1: IDC/FLK socket strip (1x 40-position); connection 2: IDC/FLK socket strip (1x 40-position); cable length: 2 m

---

## FLK 40/EZ-DR/ 250/KONFEK - Cable

2289023

<https://www.phoenixcontact.com/us/products/2289023>



Round cable set; connection 1: IDC/FLK socket strip (1x 40-position); connection 2: IDC/FLK socket strip (1x 40-position); cable length: 2.5 m

# DFLK 40 - Interface module

2280271

<https://www.phoenixcontact.com/us/products/2280271>



## FLK 40/EZ-DR/ 300/KONFEK - Cable

2289036

<https://www.phoenixcontact.com/us/products/2289036>



Round cable set; connection 1: IDC/FLK socket strip (1x 40-position); connection 2: IDC/FLK socket strip (1x 40-position); cable length: 3 m

---

## FLK 40/EZ-DR/ 350/KONFEK - Cable

2289049

<https://www.phoenixcontact.com/us/products/2289049>



Round cable set; connection 1: IDC/FLK socket strip (1x 40-position); connection 2: IDC/FLK socket strip (1x 40-position); cable length: 3.5 m

# DFLK 40 - Interface module

2280271

<https://www.phoenixcontact.com/us/products/2280271>



## FLK 40/EZ-DR/ 400/KONFEK - Cable

2289052

<https://www.phoenixcontact.com/us/products/2289052>



Round cable set; connection 1: IDC/FLK socket strip (1x 40-position); connection 2: IDC/FLK socket strip (1x 40-position); cable length: 4 m

---

## FLK 40/EZ-DR/ 600/KONFEK - Cable

2299589

<https://www.phoenixcontact.com/us/products/2299589>



Round cable set; connection 1: IDC/FLK socket strip (1x 40-position); connection 2: IDC/FLK socket strip (1x 40-position); cable length: 6 m

# DFLK 40 - Interface module

2280271

<https://www.phoenixcontact.com/us/products/2280271>



## FLK 40/EZ-DR/ 800/KONFEK - Cable

2299592

<https://www.phoenixcontact.com/us/products/2299592>



Round cable set; connection 1: IDC/FLK socket strip (1x 40-position); connection 2: IDC/FLK socket strip (1x 40-position); cable length: 8 m

---

## FLK 40/EZ-DR/1000/KONFEK - Cable

2299602

<https://www.phoenixcontact.com/us/products/2299602>



Round cable set; connection 1: IDC/FLK socket strip (1x 40-position); connection 2: IDC/FLK socket strip (1x 40-position); cable length: 10 m

---

Phoenix Contact 2024 © - all rights reserved  
<https://www.phoenixcontact.com>

Phoenix Contact USA  
586 Fulling Mill Road  
Middletown, PA 17057, United States  
(+717) 944-1300  
[info@phoenixcon.com](mailto:info@phoenixcon.com)