

DFLK 34 - Termination board



2280268

<https://www.phoenixcontact.com/us/products/2280268>

Please be informed that the data shown in this PDF document is generated from our online catalog. Please find the complete data in the user documentation. Our general terms of use for downloads are valid.



The VARIOFACE feed-through module implements a 1:1 connection between screw connection terminal blocks and an IDC/FLK pin strip (2.54 mm, number of positions: 34).

Commercial data

| | |
|--------------------------------------|--------------------------------|
| Item number | 2280268 |
| Packing unit | 5 pc |
| Minimum order quantity | 1 pc |
| Note | Made to order (non-returnable) |
| Sales key | C422 |
| Product key | CK21C1 |
| Catalog page | Page 582 (C-7-2015) |
| GTIN | 4017918054373 |
| Weight per piece (including packing) | 108.4 g |
| Weight per piece (excluding packing) | 108.4 g |
| Customs tariff number | 85369010 |
| Country of origin | DE |

DFLK 34 - Termination board



2280268

<https://www.phoenixcontact.com/us/products/2280268>

Technical data

Product properties

| | |
|---------------------|-----------------------|
| Product type | Interface module |
| Product family | VARIOFACE |
| Number of positions | 34 |
| Operating mode | 100% operating factor |

Data management status

| | |
|------------------|----|
| Article revision | 09 |
|------------------|----|

Insulation characteristics: Air clearances and creepage distances

| | |
|----------------------|-----------------------|
| Insulation | Functional insulation |
| Overvoltage category | II |
| Pollution degree | 2 |

Electrical properties

| | |
|-------------------------|----------------|
| Operating voltage (AC) | ≤ 30 V AC |
| Operating voltage (DC) | ≤ 60 V DC |
| Current (per branch) | ≤ 1 A |
| Current (Total current) | ≤ 34 A (50 °C) |

Air clearances and creepage distances

| | |
|--------------------------|--------------------|
| Rated insulation voltage | 63 V |
| Rated surge voltage | 0.6 kV (1.2/50 μs) |

Connection data

Connection 1 (control level)

| | |
|----------------------------------|-------------------|
| Connection in acc. with standard | IEC 60603-13 |
| Connection method | IDC/FLK pin strip |
| Number of connections | 1 |
| Number of positions | 34 |
| Insertion/withdrawal cycles | > 50 |
| Pitch | 2.54 mm |

Connection 2 (field level)

| | |
|--|--|
| Connection method | Screw connection |
| Stripping length | 8 mm |
| Screw thread | M3 |
| Number of positions | 16 |
| Conductor cross section rigid | 0.2 mm ² ... 4 mm ² |
| Conductor cross-section rigid (2 conductors with same cross section) | 0.2 mm ² ... 1.5 mm ² |
| Conductor cross section flexible | 0.2 mm ² ... 2.5 mm ² 0.25 mm ² ... 2.5 mm ² (Ferrule without plastic sleeve) |

DFLK 34 - Termination board



2280268

<https://www.phoenixcontact.com/us/products/2280268>

| | |
|---|--|
| | 0.25 mm ² ... 2.5 mm ² (Ferrule with plastic sleeve) |
| Conductor cross section flexible (2 conductors with same cross section) | 0.2 mm ² ... 1.5 mm ² |
| | 0.25 mm ² ... 0.75 mm ² (Ferrule without plastic sleeve) |
| | 0.5 mm ² ... 1.5 mm ² (TWIN ferrule with plastic sleeve) |
| Conductor cross section AWG | 24 ... 12 |
| Tightening torque | 0.5 Nm ... 0.6 Nm |
| Pitch | 5 mm |

Signaling

| | |
|------------------------|----|
| Status display present | No |
|------------------------|----|

Dimensions

Item dimensions

| | |
|--------|----------|
| Width | 39.88 mm |
| Height | 103.4 mm |
| Depth | 47.24 mm |

Material specifications

| | |
|-----------------------------|---------------------|
| Color | gray (RAL 7042) |
| Housing insulation material | Polyamide 6.6 green |

Environmental and real-life conditions

Ambient conditions

| | |
|--|------------------|
| Degree of protection (Module) | IP20 |
| Degree of protection (Installation location) | ≥ IP54 |
| Ambient temperature (operation) | -20 °C ... 50 °C |
| Ambient temperature (storage/transport) | -20 °C ... 70 °C |
| Altitude | ≤ 2000 m |

Approvals

UKCA

| | |
|-------------|----------------|
| Certificate | UKCA-compliant |
|-------------|----------------|

Standards and regulations

Air clearances and creepage distances

| | |
|-----------------------|----------------|
| Standards/regulations | EN IEC 60664-1 |
|-----------------------|----------------|

Mounting

| | |
|-------------------|---------------|
| Mounting type | Rear mounting |
| Mounting position | any |

Notes

| | |
|--------------------|---|
| Notes on operation | For proper use, the specifications of the installation directive (see |
|--------------------|---|

DFLK 34 - Termination board

2280268

<https://www.phoenixcontact.com/us/products/2280268>



Downloads) must be observed. For applications or use with third-party products, the specifications, and the safety and warning instructions of the respective third-party manufacturer must also be met.

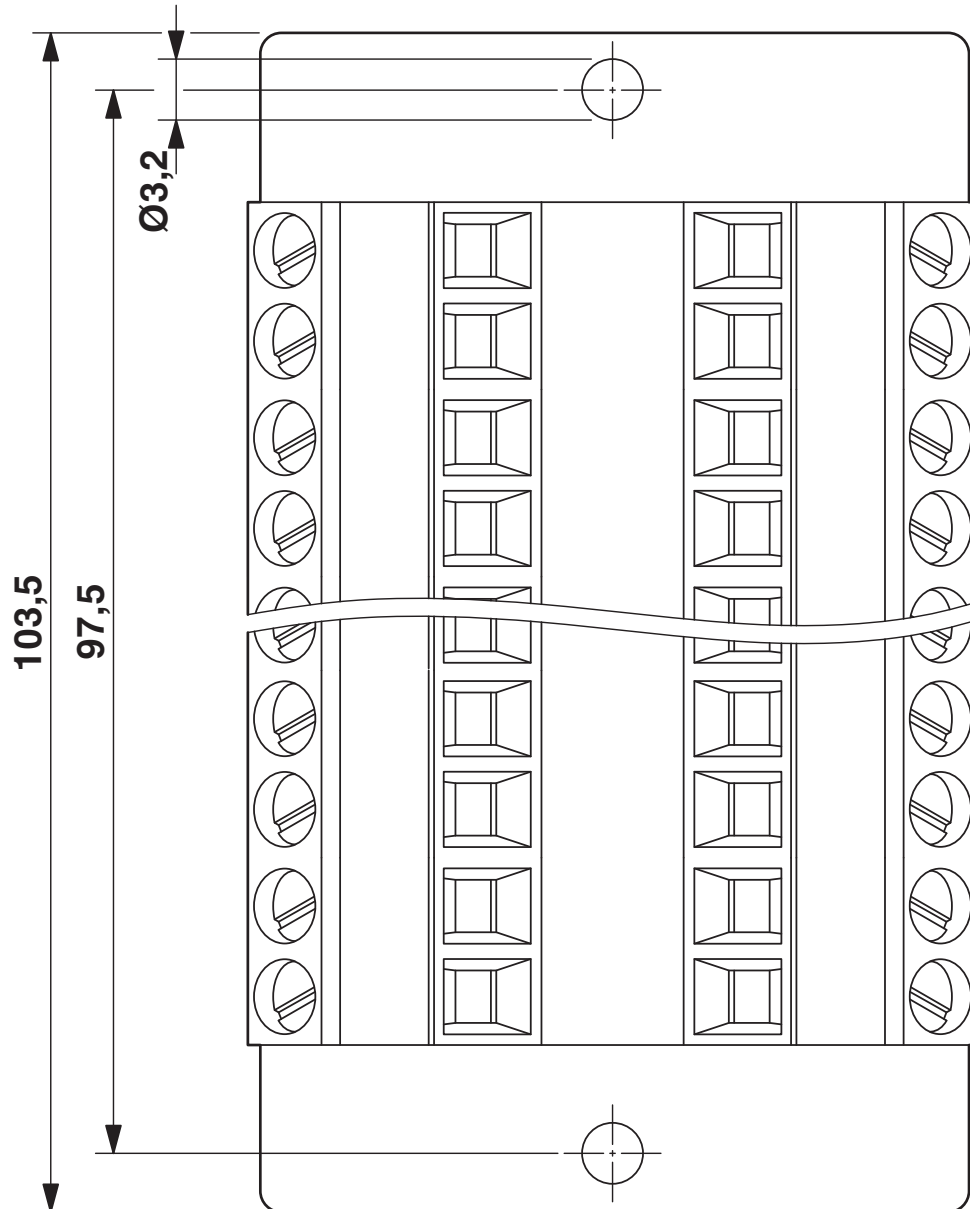
DFLK 34 - Termination board

2280268

<https://www.phoenixcontact.com/us/products/2280268>

Drawings

Dimensional drawing



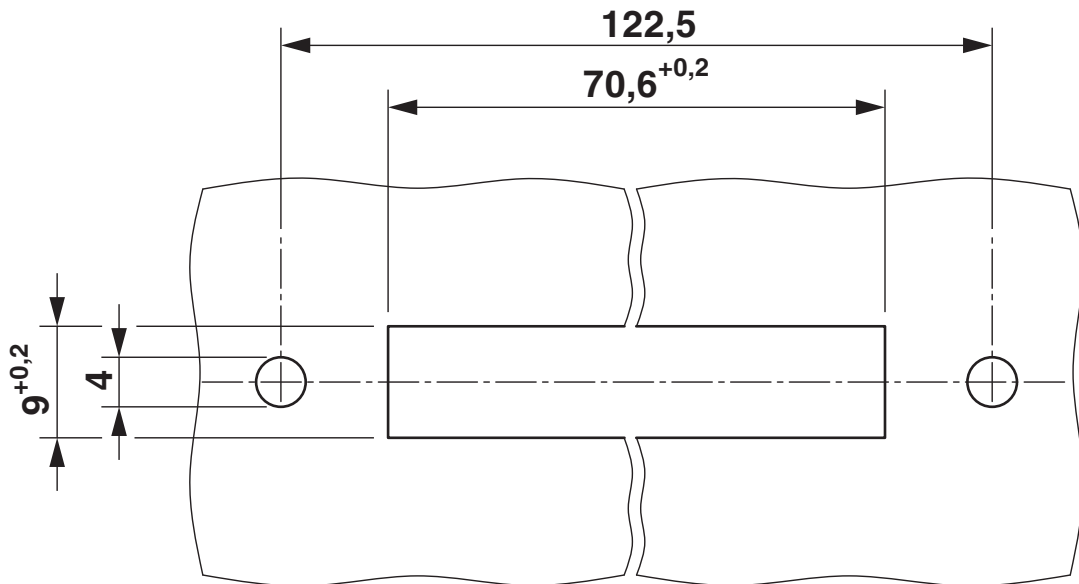
DFLK 34 - Termination board

2280268

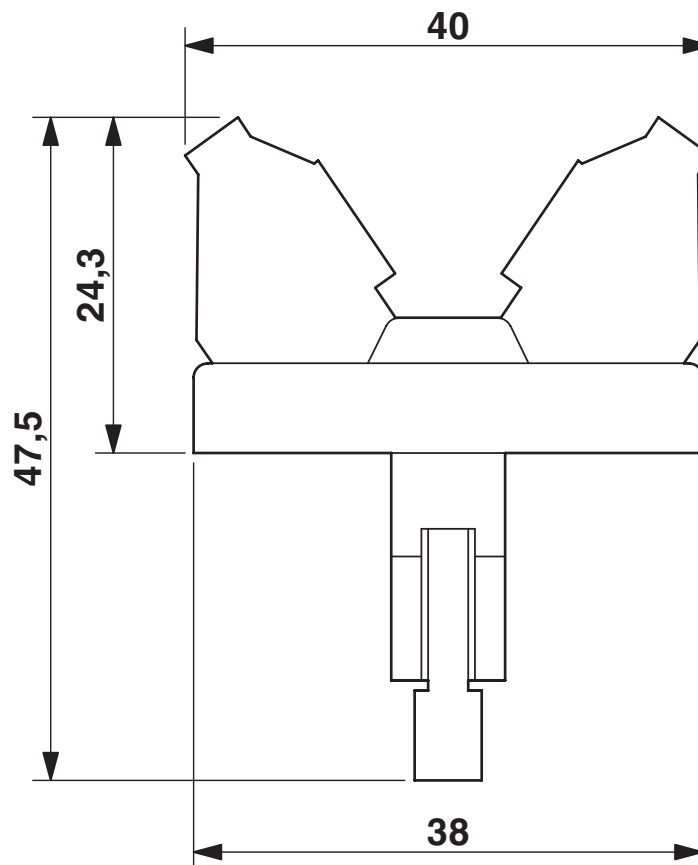
<https://www.phoenixcontact.com/us/products/2280268>



Dimensional drawing



Dimensional drawing



DFLK 34 - Termination board

2280268

<https://www.phoenixcontact.com/us/products/2280268>



Classifications

ECLASS

| | |
|-------------|----------|
| ECLASS-11.0 | 27141152 |
| ECLASS-13.0 | 27141152 |
| ECLASS-12.0 | 27141152 |

ETIM

| | |
|----------|----------|
| ETIM 9.0 | EC002780 |
|----------|----------|

UNSPSC

| | |
|-------------|----------|
| UNSPSC 21.0 | 39121400 |
|-------------|----------|

DFLK 34 - Termination board



2280268

<https://www.phoenixcontact.com/us/products/2280268>

Environmental product compliance

EU RoHS

| | |
|---|--------------------|
| Fulfills EU RoHS substance requirements | Yes, No exemptions |
|---|--------------------|

China RoHS

| | |
|--|--|
| Environment friendly use period (EFUP) | EFUP-E |
| | No hazardous substances above the limits |

EU REACH SVHC

| | |
|-------------------------------------|----------------------------|
| REACH candidate substance (CAS No.) | No substance above 0.1 wt% |
|-------------------------------------|----------------------------|

Phoenix Contact 2024 © - all rights reserved
<https://www.phoenixcontact.com>

Phoenix Contact USA
586 Fulling Mill Road
Middletown, PA 17057, United States
(+717) 944-1300
info@phoenixcon.com