

AXL SE AI4 I 0-20 - Analog module



1296378

<https://www.phoenixcontact.com/us/products/1296378>

Please be informed that the data shown in this PDF document is generated from our online catalog. Please find the complete data in the user documentation. Our general terms of use for downloads are valid.



Axioline Smart Elements, Analog input module, Analog inputs: 4, 0 mA ... 20 mA, connection technology: 2-conductor, degree of protection: IP20

Product description

You can integrate Axioline Smart Elements into systems with the Smart Element interface. This Smart Element detects analog current signals.

Your advantages

- 4 analog input channels
- Connection of sensors in 2-conductor technology
- Current range: 0 mA ... 20 mA
- Data format: standardized representation
- Resolution: 12 bits
- Device rating plate stored

Commercial data

Item number	1296378
Packing unit	1 pc
Minimum order quantity	1 pc
Sales key	DR05
Product key	DRIB41
GTIN	4063151534301
Weight per piece (including packing)	36.87 g
Weight per piece (excluding packing)	34.17 g
Customs tariff number	85389091
Country of origin	DE

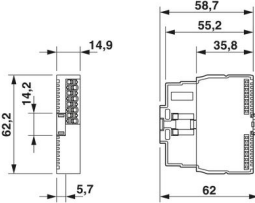
AXL SE AI4 I 0-20 - Analog module

1296378

<https://www.phoenixcontact.com/us/products/1296378>

Technical data

Dimensions

Dimensional drawing	
Width	14.9 mm
Height	62.2 mm
Depth	62 mm

Notes

Utilization restriction

EMC note	EMC: class A product, see manufacturer's declaration in the download area
----------	---

Interfaces

Smart Element interface

Number of interfaces	1
Connection method	Card edge connector
Transmission speed	See system in which you use the Smart Element.
Start time until ready to operate	< 1000 ms

System properties

Module

ID code (hex)	none
Process data channel	64 bit
Input address area	8 Byte
Output address area	8 Byte
Required parameter data	24 Byte
Required configuration data	6 Byte

Input data

Analog

Input name	Analog inputs
Description of the input	Single-ended inputs, current
Number of inputs	4
A/D converter resolution	12 bit
Connection method	Push-in technology

AXL SE AI4 I 0-20 - Analog module



1296378

<https://www.phoenixcontact.com/us/products/1296378>

Connection technology	2-conductor
Note regarding the connection technology	shielded, twisted pair
Current input signal	0 mA ... 20 mA
Input resistance current input	max. 60 Ω
Data formats	Standardized representation
Measured value representation	16 bits
Protective circuit	Transient protection

Product properties

Type	modular
Product type	I/O component
Product family	Axioline Smart Elements
Mounting position	See the system in which the Smart Element is used.

Insulation characteristics

Overvoltage category	II (IEC 60664-1, EN 60664-1)
Pollution degree	2 (IEC 60664-1, EN 60664-1)

Electrical properties

Potentials: Communications power supply of the Smart Elements (U_{SE})

Supply voltage	using card edge connectors
----------------	----------------------------

Potentials: I/O supply (U_P)

Supply voltage	24 V DC (using card edge connectors)
Supply voltage range	19.2 V DC ... 30 V DC (including all tolerances, including ripple)
Current draw	max. 20 mA typ. 15 mA
Current consumption	min. 12 mA (without connected peripherals)
Power consumption	max. 480 mW min. 288 mW
Protective circuit	Surge protection; See the system in which the Smart Element is used. Reverse polarity protection; Polarity protection diode

Electrical isolation/isolation of the voltage ranges

Test voltage: Communications supply / 24 V supply (I/O)	500 V AC, 50 Hz, 1 min.
Test voltage: Communications supply / functional ground	500 V AC, 50 Hz, 1 min.
Test voltage: 24 V supply (I/O) / functional ground	500 V AC, 50 Hz, 1 min.

Connection data

Connection technology

Connection name	I/O
Note on the connection method	Please observe the information provided on conductor cross sections in the "Axioline Smart Elements" user manual.

Conductor connection

AXL SE AI4 I 0-20 - Analog module



1296378

<https://www.phoenixcontact.com/us/products/1296378>

Connection method	Push-in connection
Conductor cross section rigid	0.25 mm ² ... 1.5 mm ²
Conductor cross section flexible	0.25 mm ² ... 1.5 mm ²
Conductor cross section AWG	24 ... 16
Conductor cross section flexible, with ferrule without plastic sleeve	0.25 mm ² ... 1.5 mm ²
Conductor cross section, flexible, with ferrule, with plastic sleeve	0.25 mm ² ... 1.5 mm ²
Stripping length	8 mm

I/O

Connection method	Push-in connection
Note on the connection method	Please observe the information provided on conductor cross sections in the "AxioLine Smart Elements" user manual.
Conductor cross section, rigid	0.25 mm ² ... 1.5 mm ²
Conductor cross section, flexible	0.25 mm ² ... 1.5 mm ²
Conductor cross section AWG	24 ... 16
Conductor cross section, flexible, with ferrule, with plastic sleeve	0.25 mm ² ... 1.5 mm ²
Conductor cross section flexible, with ferrule without plastic sleeve	0.25 mm ² ... 1.5 mm ²
Stripping length	8 mm

Environmental and real-life conditions

Ambient conditions

Ambient temperature (operation)	-25 °C ... 60 °C
Degree of protection	IP20
Air pressure (operation)	70 kPa ... 106 kPa (up to 3000 m above sea level)
Air pressure (storage/transport)	70 kPa ... 106 kPa (up to 3000 m above sea level)
Ambient temperature (storage/transport)	-40 °C ... 85 °C
Permissible humidity (operation)	5 % ... 95 % (non-condensing)
Permissible humidity (storage/transport)	5 % ... 95 % (non-condensing)

Standards and regulations

Protection class	III (IEC 61140, EN 61140, VDE 0140-1)
------------------	---------------------------------------

Mounting

Mounting type	Smart Element slot
Mounting position	See the system in which the Smart Element is used.

AXL SE AI4 I 0-20 - Analog module

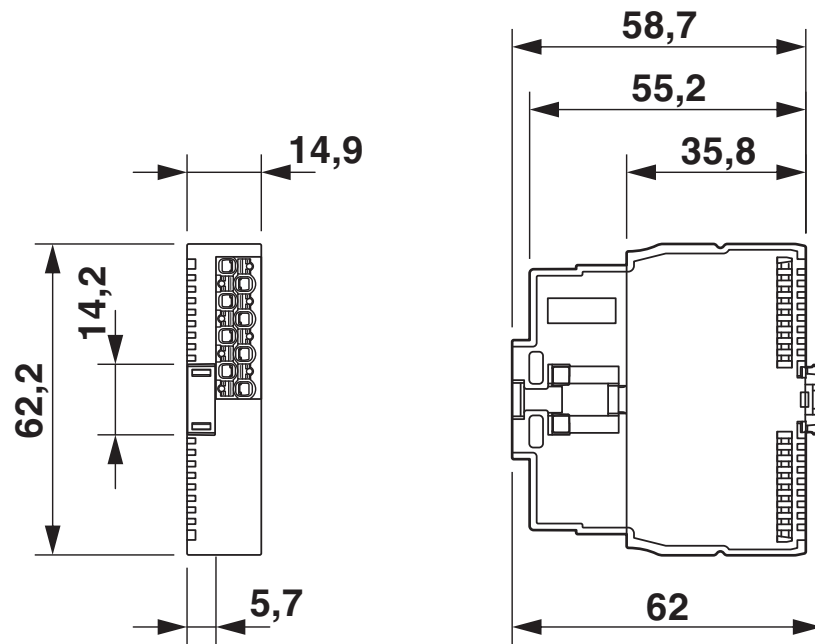
1296378

<https://www.phoenixcontact.com/us/products/1296378>



Drawings

Dimensional drawing



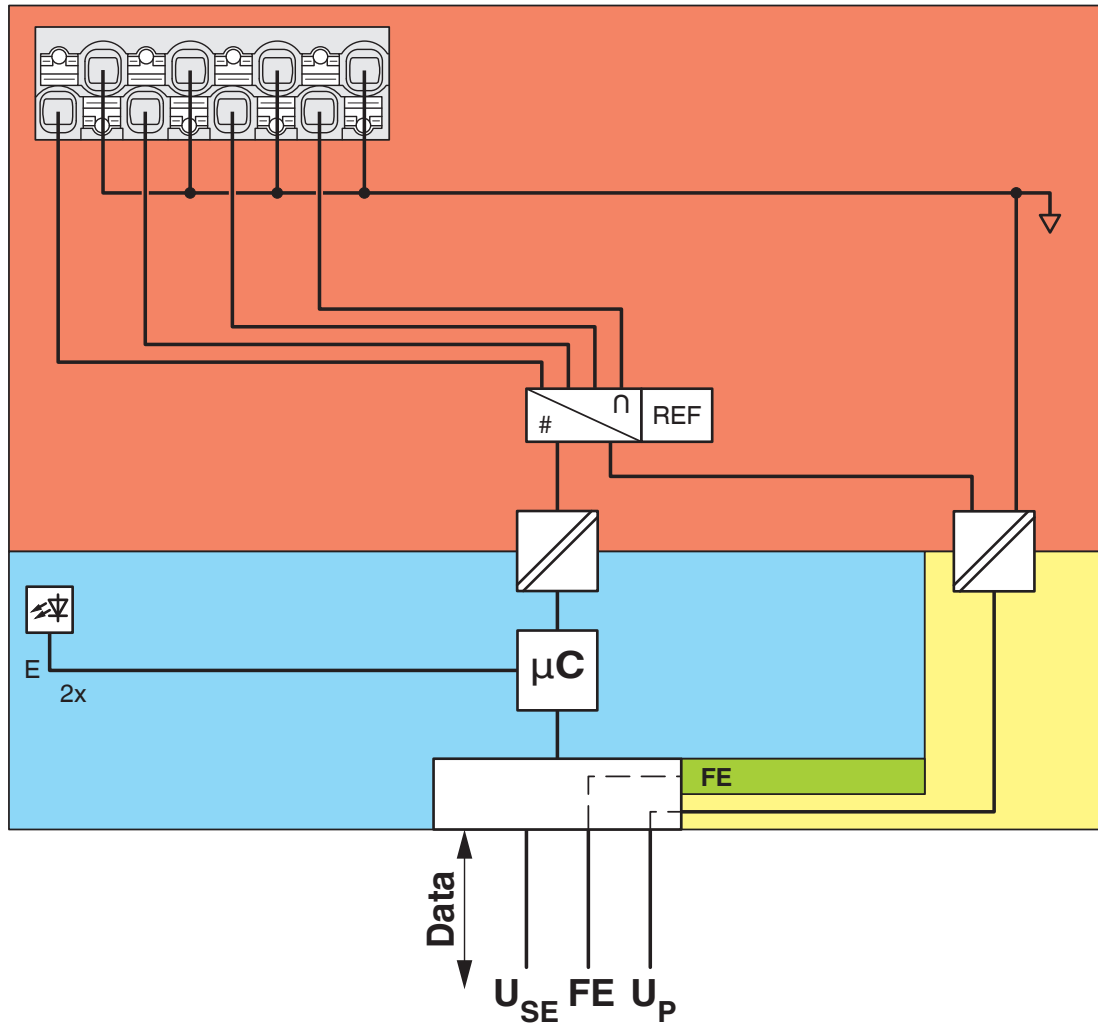
Dimensions

AXL SE AI4 I 0-20 - Analog module

1296378

<https://www.phoenixcontact.com/us/products/1296378>

Block diagram



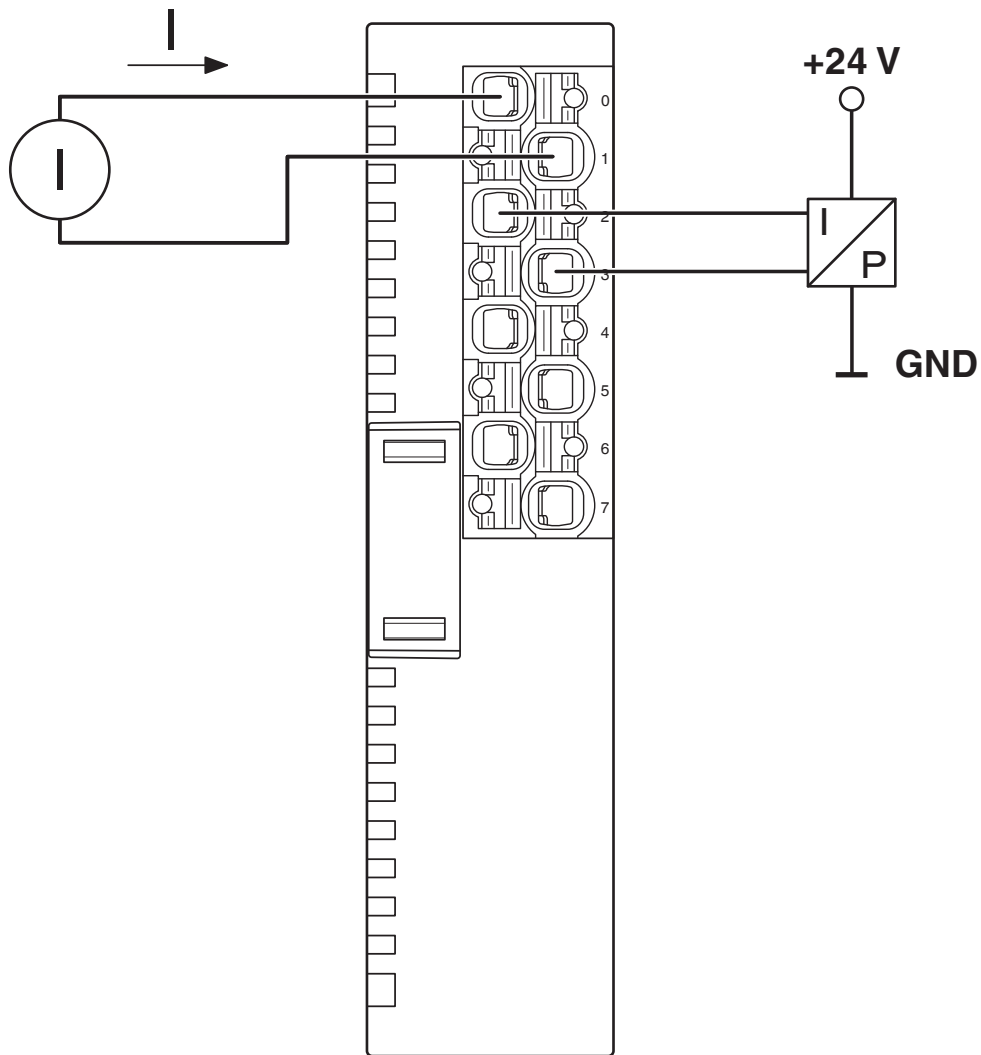
Internal wiring of the terminal points

AXL SE AI4 I 0-20 - Analog module

1296378

<https://www.phoenixcontact.com/us/products/1296378>

Connection diagram



Connection example

AXL SE AI4 I 0-20 - Analog module



1296378

<https://www.phoenixcontact.com/us/products/1296378>

Approvals

🔗 To download certificates, visit the product detail page: <https://www.phoenixcontact.com/us/products/1296378>



UL Listed

Approval ID: E238705



cUL Listed

Approval ID: E238705

cULus Listed

AXL SE AI4 I 0-20 - Analog module



1296378

<https://www.phoenixcontact.com/us/products/1296378>

Classifications

ECLASS

ECLASS-11.0	27242601
ECLASS-12.0	27242601
ECLASS-13.0	27242601

ETIM

ETIM 9.0	EC001596
----------	----------

UNSPSC

UNSPSC 21.0	32151600
-------------	----------

AXL SE AI4 I 0-20 - Analog module



1296378

<https://www.phoenixcontact.com/us/products/1296378>

Environmental product compliance

REACH SVHC	Lead 7439-92-1
China RoHS	Environmentally Friendly Use Period = 50 years
	For information on hazardous substances, refer to the manufacturer's declaration available under "Downloads"

AXL SE AI4 I 0-20 - Analog module

1296378

<https://www.phoenixcontact.com/us/products/1296378>



Mandatory accessories

AXL F BP SE4 - Module carrier

1088135

<https://www.phoenixcontact.com/us/products/1088135>

Axioline F, Backplane, 4 slots for Axioline Smart Elements, transmission speed in the local bus: 100 Mbps, degree of protection: IP20



AXL F BP SE6 - Module carrier

1088136

<https://www.phoenixcontact.com/us/products/1088136>

Axioline F, Backplane, 6 slots for Axioline Smart Elements, transmission speed in the local bus: 100 Mbps, degree of protection: IP20



Accessories

AXL SE AI4 I 0-20 - Analog module

1296378

<https://www.phoenixcontact.com/us/products/1296378>



SZS 0,4X2,5 VDE - Screwdriver

1205037

<https://www.phoenixcontact.com/us/products/1205037>



Screwdriver, slot-headed, VDE insulated, size: 0.4 x 2.5 x 80 mm, 2-component grip, with non-slip grip

CRIMPFOX 6 - Crimping pliers

1212034

<https://www.phoenixcontact.com/us/products/1212034>



Crimping pliers, for ferrules without insulating collar according to DIN 46228 Part 1 and ferrules with insulating collar according to DIN 46228 Part 4, 0.25 mm² ... 6.0 mm², lateral entry, trapezoidal crimp

AXL SE AI4 I 0-20 - Analog module

1296378

<https://www.phoenixcontact.com/us/products/1296378>

CRIMPFOX DUO 10 - Crimping pliers

1031721

<https://www.phoenixcontact.com/us/products/1031721>



Crimping pliers, contact connection type: Insulated and uninsulated ferrules, standards/specifications: DIN 46228-1, DIN 46228-4, UL 486F, form A, E, F, min. cross section: 0.14 mm², max. cross section: 10 mm², for TWIN ferrules up to 2 x 4 mm², automatic cross section adjustment, rotating die, lateral and frontal insertion, compression: Trapezoidal crimp, black/green

CRIMPFOX 10T-F - Crimping pliers

1134913

<https://www.phoenixcontact.com/us/products/1134913>



Crimping pliers, contact connection type: Insulated and uninsulated ferrules, standards/specifications: DIN 46228-1, DIN 46228-4, min. cross section: 0.14 mm², max. cross section: 10 mm², For TWIN ferrules up to 2 x 4 mm², automatic cross section adjustment, frontal insertion, compression: Trapezoidal crimp, black

AXL SE AI4 I 0-20 - Analog module

1296378

<https://www.phoenixcontact.com/us/products/1296378>



MM-TML (EX4,2)R C1 TR/BK - Label

0803979

<https://www.phoenixcontact.com/us/products/0803979>



Label, Roll, transparent/black, unlabeled, can be labeled with: THERMOFOX, THERMOMARK GO, THERMOMARK GO.K, mounting type: adhesive, lettering field size: continuous x 3.2 mm, Number of individual labels: 1

SK 5,0 WH:REEL - Marker strip

0805221

<https://www.phoenixcontact.com/us/products/0805221>



Marker strip, Roll, white, unlabeled, can be labeled with: THERMOMARK E.300 (D)/600 (D), THERMOMARK ROLL 2.0, THERMOMARK ROLL, THERMOMARK ROLL X1, THERMOMARK ROLLMASTER 300/600, THERMOMARK X1.2, mounting type: adhesive, lettering field size: continuous x 5 mm, Number of individual labels: 10

AXL SE AI4 I 0-20 - Analog module

1296378

<https://www.phoenixcontact.com/us/products/1296378>



UM6M-TM (5X12) - Marker for terminal blocks

0830928

<https://www.phoenixcontact.com/us/products/0830928>



Marker for terminal blocks, Strip, white, unlabeled, can be labeled with: TOPMARK NEO, TOPMARK LASER, BLUEMARK ID COLOR, BLUEMARK ID, BLUEMARK CLED, THERMOMARK PRIME, THERMOMARK CARD 2.0, THERMOMARK CARD, mounting type: snapped, for terminal block width: 5 mm, lettering field size: 5 x 12 mm, Number of individual labels: 24

UCT6M-TM 5 - Marker for terminal blocks

0830756

<https://www.phoenixcontact.com/us/products/0830756>



Marker for terminal blocks, for marking ABB terminal blocks from the SNK series, Sheet, white, unlabeled, can be labeled with: THERMOMARK CARD, THERMOMARK CARD 2.0, THERMOMARK PRIME, BLUEMARK ID, BLUEMARK ID COLOR, TOPMARK LASER, TOPMARK NEO, mounting type: snapped, for terminal block width: 5.2 mm, lettering field size: 4.17 x 11.3 mm

Phoenix Contact 2023 © - all rights reserved
<https://www.phoenixcontact.com>

Phoenix Contact USA
586 Fulling Mill Road
Middletown, PA 17057, United States
(+717) 944-1300
info@phoenixcon.com