

AXL P EX IS AO4 HART 1F - Analog module



1087082

<https://www.phoenixcontact.com/us/products/1087082>

Please be informed that the data shown in this PDF document is generated from our online catalog. Please find the complete data in the user documentation. Our general terms of use for downloads are valid.



Axioline P, Analog output module, Analog outputs: 4 (HART), 0 mA ... 20 mA, 4 mA ... 20 mA, connection technology: 2-conductor, transmission speed in the local bus: 100 Mbps, HART functionality, Intrinsically safe, degree of protection: IP20, including bus base module and connectors

Product description

The module is an Axioline P I/O module for use in the Axioline P modular I/O system. The module is a modular I/O device that can be affixed to the Axioline P local bus, to communicate I/O data up to the Axioline P bus coupler, which forms the head of the station. As an intrinsic safety I/O module, this device allows direct connection from intrinsically safe field I/O to the terminals of the module. The module is fully hot-swappable on the Axioline P local bus, which also provides power to the module. The module allows the connection of up to four HART devices. The analog output I/O module with HART capabilities manages analog output and HART data to and from the field I/O terminals and makes this information available to the bus coupler through the Axioline P local bus.

Your advantages

- 4 analog output-powered control signals for HART
- Current range: 4 mA ... 20 mA and 0 mA ... 20 mA
- Cyclic access to PV, SV, TV, QV, and Loop Current
- Temperature range: -40 °C ... +70 °C
- Hot-swappable
- Intrinsically safe analog inputs with connection to Zone 1, Zone 0 or Division 1

Commercial data

Item number	1087082
Packing unit	1 pc
Sales key	DR06
Product key	DRIP42
GTIN	4055626882550
Weight per piece (including packing)	382.1 g
Weight per piece (excluding packing)	236.1 g
Customs tariff number	85176200
Country of origin	US

AXL P EX IS AO4 HART 1F - Analog module

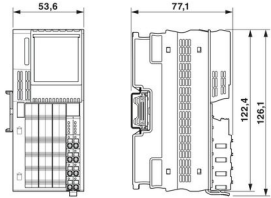


1087082

<https://www.phoenixcontact.com/us/products/1087082>

Technical data

Dimensions

Dimensional drawing	
Width	53.6 mm
Height	126.1 mm
Depth	77.14 mm
Note on dimensions	The depth applies when a TH 35-7.5 DIN rail is used (in accordance with EN 60715).

Notes

Utilization restriction

EMC note	EMC: class A product, see manufacturer's declaration in the download area
----------	---

Utilization restriction

CCCex note	Use in potentially explosive areas is not permitted in China.
------------	---

Material specifications

Color	traffic grey A RAL 7042
-------	-------------------------

Interfaces

Axioline P local bus

Connection method	Connection for bus base module
Transmission speed	100 Mbps

Output data

Analog

Output name	Analog outputs
Connection method	Push-in connection
Connection technology	2-conductor
Note regarding the connection technology	shielded, twisted pair
Number of outputs	4 (HART)
Current output signal	0 mA ... 20 mA 4 mA ... 20 mA

Product properties

Type	block modular
------	---------------

AXL P EX IS AO4 HART 1F - Analog module



1087082

<https://www.phoenixcontact.com/us/products/1087082>

Product type	I/O component
Product family	Axioline P
Mounting position	any (no temperature derating)
Scope of delivery	including bus base module and connectors

Insulation characteristics

Overvoltage category	II
Pollution degree	2

Electrical properties

Potentials: Supply of the logic voltage U_L

Supply voltage range	19.2 V DC ... 30 V DC (via bus base module (U_L) at AXL P BK...)
----------------------	--

Potentials: Supply of the Axioline P local bus U_{BUS}

Supply voltage	5 V DC (via bus base module)
Current draw	max. 135 mA

Potentials: Axioline P extension module supply voltage

Supply voltage	U_L (via bus base module)
Current draw	max. 160 mA (via bus base module)

Electrical isolation/isolation of the voltage ranges

Test voltage: 5 V supply of the local bus (U_{BUS}) / functional ground	500 V AC, 62 Hz, 1 min.
Test voltage: 24 V supply (I/O) / functional ground	500 V AC, 62 Hz, 1 min.
Test voltage: Field to functional earth	500 V AC, 62 Hz, 1 min.
Test voltage: Field to 5 V and 24 V supplies	1500 V AC, 62 Hz, 1 min.

Connection data

Connection technology

Connection name	Axioline P connector
Note on the connection method	Please observe the information provided on conductor cross sections in the "Axioline P: system and installation" user manual.

Conductor connection

Connection method	Push-in connection
Conductor cross section rigid	0.2 mm ² ... 1.5 mm ²
Conductor cross section flexible	0.2 mm ² ... 1.5 mm ²
Conductor cross section AWG	24 ... 16
Stripping length	8 mm

Axioline P connector

Connection method	Push-in connection
Note on the connection method	Please observe the information provided on conductor cross sections in the "Axioline P: system and installation" user manual.
Conductor cross section, rigid	0.2 mm ² ... 1.5 mm ²
Conductor cross section, flexible	0.2 mm ² ... 1.5 mm ²

AXL P EX IS AO4 HART 1F - Analog module



1087082

<https://www.phoenixcontact.com/us/products/1087082>

Conductor cross section AWG	24 ... 16
Stripping length	8 mm

Environmental and real-life conditions

Ambient conditions

Degree of protection	IP20
Ambient temperature (operation)	-40 °C ... 70 °C (Standard)
Degree of protection	IP20
Air pressure (operation)	70 kPa ... 106 kPa (up to 2000 m above sea level)
Air pressure (storage/transport)	70 kPa ... 106 kPa (up to 2000 m above sea level)
Ambient temperature (storage/transport)	-40 °C ... 85 °C
Permissible humidity (operation)	5 % ... 95 % (non-condensing)
Permissible humidity (storage/transport)	5 % ... 95 % (non-condensing)

Standards and regulations

Protection class	III (IEC 61140, EN 61140, VDE 0140-1)
------------------	---------------------------------------

Approvals

ATEX

Identification	II 3(1) G Ex ec [ia Ga] IIC T4 Gc II (1) D [Ex ia Da] IIIC
Certificate	DEMKO 20 ATEX 2370X

IECEX

Identification	Ex ec [ia Ga] IIC T4 Gc [Ex ia Da] IIIC
Certificate	IECEX UL 20.0044X

UKCA Ex (UKEX)

Identification	II 3(1) G Ex ec [ia Ga] IIC T4 Gc II (1) D [Ex ia Da] IIIC
Certificate	UL22UKEX2508X

Ex data

UL, USA / Canada	Ind. Cont. Eq. (E238705) also Listed Ind. Cont. Eq. for haz. loc. E196811 Install in: Class I, Div. 2, Groups A, B, C, D T4 Intrinsically safe outputs for: Class I, Groups A, B, C, D; Class II, Groups E, F, G; Class III; [Ex ia] Haz loc Class I, Zone 2, AEx ec [ia Ga] IIC T4 Gc [AEx ia Da] IIIC Ex ec [ia Ga] IIC T4 Gc [Ex ia Da] IIIC
------------------	--

Mounting

Mounting type	DIN rail mounting
Mounting position	any (no temperature derating)

AXL P EX IS AO4 HART 1F - Analog module



1087082

<https://www.phoenixcontact.com/us/products/1087082>

Ex data

Safety data

Max. output voltage U_o	24.8 V
Max. output current I_o	86.7 mA
Max. output power P_o	538 mW
Safety-related maximum voltage U_m	250 V
A, B / IIC ((A, B, or IIC)): Max. external inductivity L_o / Max. external capacitance C_o	/ 0.112 μ F
C/IIB, IIIC ((C, IIB, or IIIC)): Max. external inductivity L_o / Max. external capacitance C_o	/ 0.859 μ F
D/IIA, E, F, G, Class III ((D, E, F, G, Class III, or IIA)): Max. external inductivity L_o / Max. external capacitance C_o	/ 3.049 μ F
A, B / IIC ((A, B, or IIC)): Max. external inductivity L_o / Max. external capacitance C_o	4.1 mH
C/IIB, IIIC ((C, IIB, or IIIC)): Max. external inductivity L_o / Max. external capacitance C_o	18.29 mH
D/IIA, E, F, G, Class III ((D, E, F, G, Class III, or IIA)): Max. external inductivity L_o / Max. external capacitance C_o	37.21 mH

AXL P EX IS AO4 HART 1F - Analog module

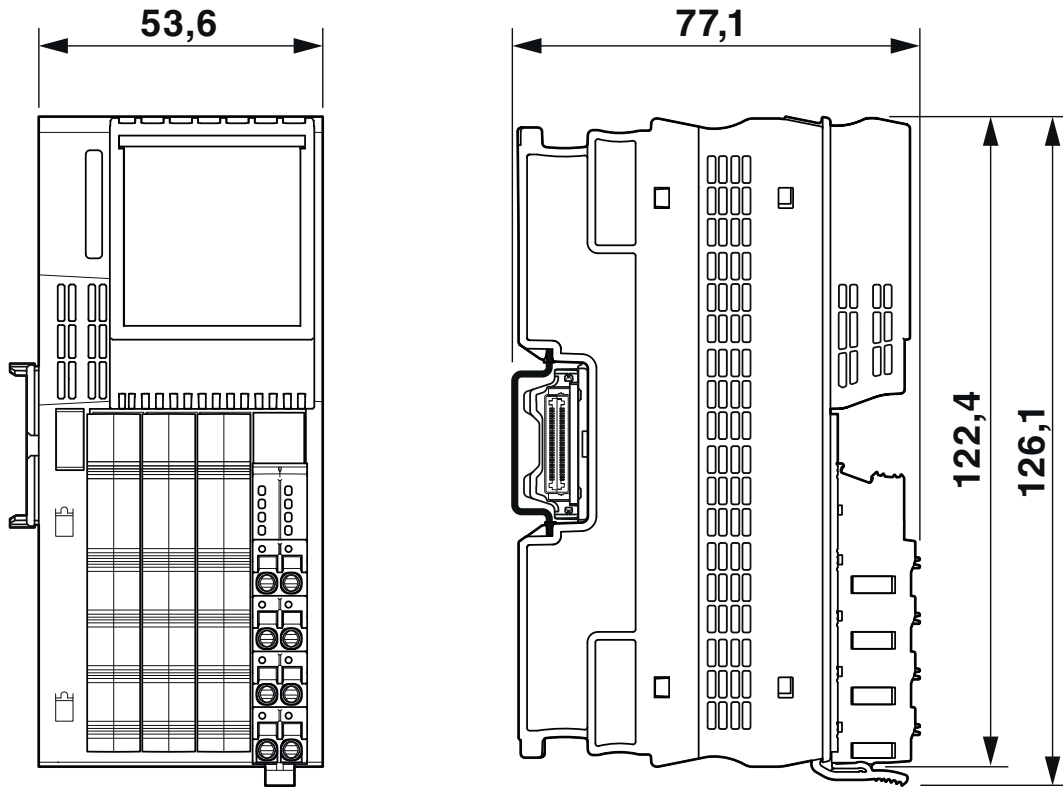


1087082

<https://www.phoenixcontact.com/us/products/1087082>

Drawings

Dimensional drawing



AXL P EX IS AO4 HART 1F - Analog module



1087082

<https://www.phoenixcontact.com/us/products/1087082>

Approvals

To download certificates, visit the product detail page: <https://www.phoenixcontact.com/us/products/1087082>



UL Listed

Approval ID: FILE E 238705



cUL Listed

Approval ID: FILE E 238705



IECEX

Approval ID: IECEX UL 20.0044X



cUL Listed

Approval ID: FILE E 196811



UL Listed

Approval ID: FILE E 196811



ATEX

Approval ID: DEMKO 20 ATEX 2370X



CCC

Approval ID: 2021122316114727

cULus Listed

cULus Listed

AXL P EX IS AO4 HART 1F - Analog module



1087082

<https://www.phoenixcontact.com/us/products/1087082>

Classifications

ECLASS

ECLASS-11.0	27242601
ECLASS-12.0	27242601
ECLASS-13.0	27242601

ETIM

ETIM 9.0	EC001596
----------	----------

UNSPSC

UNSPSC 21.0	32151600
-------------	----------

AXL P EX IS AO4 HART 1F - Analog module



1087082

<https://www.phoenixcontact.com/us/products/1087082>

Environmental product compliance

REACH SVHC	Lead 7439-92-1
	Dechlorane Plus
China RoHS	Environmentally Friendly Use Period = 25;
	For information on hazardous substances, refer to the manufacturer's declaration available under "Downloads"

AXL P EX IS AO4 HART 1F - Analog module

1087082

<https://www.phoenixcontact.com/us/products/1087082>



Accessories

AXL P BS F2 - Bus connector

1052428

<https://www.phoenixcontact.com/us/products/1052428>

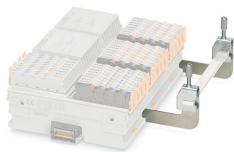


Axioline P bus base module for housing type F2

AXL SHIELD SET - Shield connection

2700518

<https://www.phoenixcontact.com/us/products/2700518>



Axioline shield connection set (contains 2 shield bus holders and 2 SK 5 shield connection clamps)

AXL P EX IS AO4 HART 1F - Analog module

1087082

<https://www.phoenixcontact.com/us/products/1087082>



AXL F/P IO EX PP - Separating plate

1100201

<https://www.phoenixcontact.com/us/products/1100201>

Axioline F/P partition plate for intrinsically safe modules



AXL P TERM PAIR - Termination block

2316402

<https://www.phoenixcontact.com/us/products/2316402>

Axioline P terminator pair



AXL P EX IS AO4 HART 1F - Analog module



1087082

<https://www.phoenixcontact.com/us/products/1087082>

ZB 20,3 AXL UNPRINTED - Zack marker strip

0829579

<https://www.phoenixcontact.com/us/products/0829579>



Zack marker strip for Axioline F (device labeling), in 2 x 20.3 mm pitch, unprinted, 25-section, for individual labeling with B-STIFT 0.8, X-PEN, or CMS-P1-PLOTTER

AXL P TERM PAIR - Termination block

2316402

<https://www.phoenixcontact.com/us/products/2316402>



Axioline P terminator pair

AXL P EX IS AO4 HART 1F - Analog module

1087082

<https://www.phoenixcontact.com/us/products/1087082>



AXL P BS F2 - Bus connector

1052428

<https://www.phoenixcontact.com/us/products/1052428>

Axioline P bus base module for housing type F2



Phoenix Contact 2023 © - all rights reserved

<https://www.phoenixcontact.com>

Phoenix Contact USA
586 Fulling Mill Road
Middletown, PA 17057, United States
(+717) 944-1300
info@phoenixcon.com