

# ECS-P-64X80-L-UV-B GY - Front plate



1186436

<https://www.phoenixcontact.com/us/products/1186436>

Please be informed that the data shown in this PDF document is generated from our online catalog. Please find the complete data in the user documentation. Our general terms of use for downloads are valid.

Snap-in locking blank faceplate of the ECS Family. IP66/67/69 rated when mated with associated enclosure. Color: Grey (7042), Width: 97 mm, Height: 15 mm, Depth: 42 mm



## Your advantages

- Ultra-compact housing design for a wide range of applications
- Housing design supports the installation of a range of PCB thicknesses for high application diversity
- Optional accessories for wall and mast mounting
- Proven PCB connection technology
- Integrated tamper protection
- Effective protection of electronics against thermal and mechanical influences
- Suitable for outdoor/indoor applications

## Commercial data

Item number	1186436
Packing unit	1 pc
Sales key	AC04
Product key	ACFDAB
GTIN	4063151226275
Weight per piece (including packing)	29.8 g
Weight per piece (excluding packing)	29 g
Customs tariff number	84879090
Country of origin	US

# ECS-P-64X80-L-UV-B GY - Front plate

1186436

<https://www.phoenixcontact.com/us/products/1186436>

## Technical data

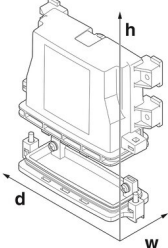
### Notes

General	Refer to the data sheet for the range in the download area.
---------	---

### Product properties

Product type	Front plate
Housing type	outdoor housings
Housing series	ECS

### Dimensions

Dimensional drawing	
Width	97 mm
Height	15 mm
Depth	42 mm

### PCB design

PCB thickness	1.57 mm ... 2.36 mm
---------------	---------------------

### Material specifications

Color	gray (7042)
Flammability rating according to UL 94	V0
Surface characteristics	untreated
Impact strength	IK08
Housing material	PC (polycarbonate)

### Environmental and real-life conditions

#### Vibration test

Specification	IEC 60068-2-6:2007-12
Frequency	10 - 2000 - 10 Hz
Sweep speed	1 octave/min
Acceleration	15g (61.6 Hz ... 2000 Hz)
Test duration per axis	2.5 h
Test directions	X-, Y- and Z-axis

#### Glow-wire test

Specification	IEC 60695-2-11:2014-02
---------------	------------------------

# ECS-P-64X80-L-UV-B GY - Front plate



1186436

<https://www.phoenixcontact.com/us/products/1186436>

Temperature	850 °C
Time of exposure	30 s

## Mechanical strength / tumbling barrel

Specification	IEC 60068-2-31:2008-05
Height of fall	50 cm
Frequency	50

## Shocks

Specification	IEC 60068-2-27:2008-02
Pulse shape	Semi-sinusoidal
Acceleration	50g
Shock duration	11 ms
Number of shocks per direction	3
Test directions	X-, Y- and Z-axis (pos. and neg.)

## Salt spray test

Specification	DIN EN 60068-2-11:2000-02
Test duration	96 h

## Test for substances that would hinder coating with paint or varnish

Specification	VDMA 24364:2018-05
Result	Test passed

## Degree of protection (IP code)

Specification	IEC 60529:1989-11 + AMD 1:1999-11 + AMD 2:2013-08
Result, degree of protection, IP code	IP66/IP68 (2 m/24 h)

## Ambient conditions

Max. NEMA code to attain	6
Impact strength	IK08
Ambient temperature (operation)	-40 °C ... 100 °C
Ambient temperature (storage/transport)	-40 °C ... 100 °C

## PCB data

Number of PCB holders	1
Thickness of the PCB	1.57 mm ... 2.36 mm

## Mounting

Mounting type	Mechanical latch to base
---------------	--------------------------

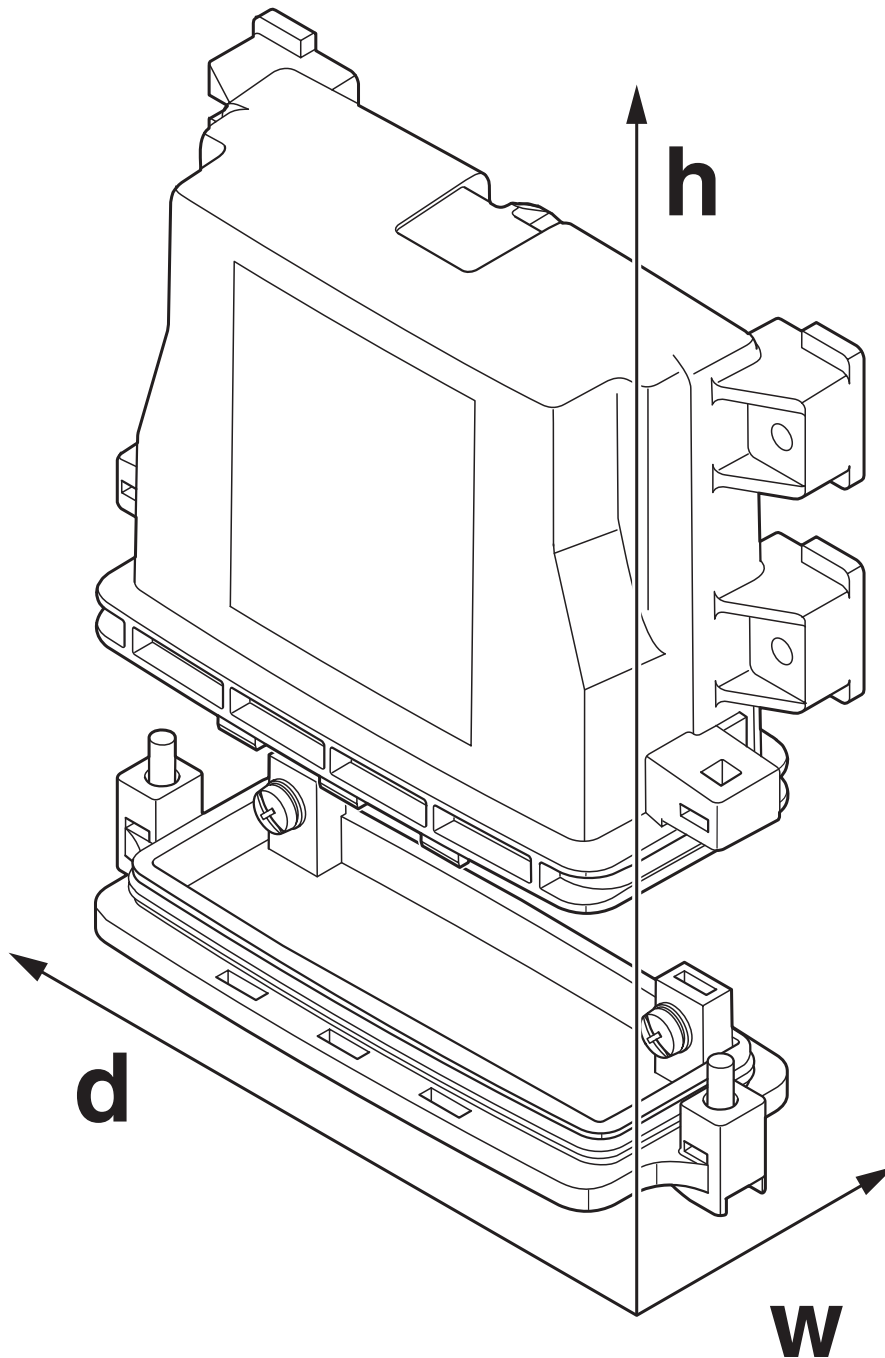
# ECS-P-64X80-L-UV-B GY - Front plate

1186436

<https://www.phoenixcontact.com/us/products/1186436>

## Drawings

Dimensional drawing



Schematic figure for illustrating the item dimensions. The figure is not of the desired product. For further details, refer to the product drawings in the "Downloads" tab.

# ECS-P-64X80-L-UV-B GY - Front plate



1186436

<https://www.phoenixcontact.com/us/products/1186436>

## Classifications

### ECLASS

ECLASS-11.0	27182702
ECLASS-13.0	27190603

### ETIM

ETIM 9.0	EC001031
----------	----------

### UNSPSC

UNSPSC 21.0	31261500
-------------	----------

# ECS-P-64X80-L-UV-B GY - Front plate



1186436

<https://www.phoenixcontact.com/us/products/1186436>

## Environmental product compliance

China RoHS	Environmentally friendly use period: unlimited = EFUP-e
	No hazardous substances above threshold values

# ECS-P-64X80-L-UV-B GY - Front plate



1186436

<https://www.phoenixcontact.com/us/products/1186436>

## Mandatory accessories

### ECS-B-64X80-L-UV-NV GY - Electronic housing

1186431

<https://www.phoenixcontact.com/us/products/1186431>



Snap-in locking non-vented enclosure of the ECS Family. IP66/67/69 rated when mated with associated faceplate. Color: Grey (7042), Width: 97 mm, Height: 86 mm, Depth: 45 mm

---

### ECS-B-64X80-L-UV-V GY - Electronic housing

1196942

<https://www.phoenixcontact.com/us/products/1196942>



Snap-in locking vented enclosure of the ECS Family. IP66/67/69 rated when mated with associated faceplate. Color: Grey (7042), Width: 97 mm, Height: 86 mm, Depth: 45 mm

---

## Accessories

## ECS-P-64X80-L-UV-B GY - Front plate

1186436

<https://www.phoenixcontact.com/us/products/1186436>



## WT-STEEL SH 4,6X150 - Cable tie

3240820

<https://www.phoenixcontact.com/us/products/3240820>



Cable binders, made from rust-free stainless steel (AISI 316), suitable for the harshest of ambient conditions (for example, salt water), with ball lock, for quick and secure bundling and fastening

---

## HS LC-V-T-D4X5,2S-45 - Fiber optic

1082300

<https://www.phoenixcontact.com/us/products/1082300>



Vertical 4 mm light guide, transparent, with spherical 5.2 mm raised head, assembly for wall thicknesses from 1 mm, made of polycarbonate (UL 94-V0), installation length 45 mm, watertight, IP68 (EN 50529)



# ECS-P-64X80-L-UV-B GY - Front plate



1186436

<https://www.phoenixcontact.com/us/products/1186436>

## HS LCA-RGB-10X5-L - Signal light

1082299

<https://www.phoenixcontact.com/us/products/1082299>



10 mm signal light with SMD-LED 5 mm (color: RGB) for assembly on wall thicknesses from 1.5 mm. Black housing made of polycarbonate (UL 94-V0) with four 94 mm tin-plated free wire ends, watertight IP68 (EN 60529)

---

## HS LC-F-T6X3-150 - Fiber optic

1082301

<https://www.phoenixcontact.com/us/products/1082301>



Flexible light guide, transparent 3 mm made of PMMA (UL 94-V0) with 6 mm lens, made of crystal-clear polycarbonate and 6x6 mm LED housing, black polycarbonate PC (UL 94), length: 150 mm unmounted, for SMD TOPLEDs

# ECS-P-64X80-L-UV-B GY - Front plate

1186436

<https://www.phoenixcontact.com/us/products/1186436>



## SZF 1-0,6X3,5 - Screwdriver

1204517

<https://www.phoenixcontact.com/us/products/1204517>



Actuation tool, for ST terminal blocks, also suitable for use as a bladed screwdriver, size: 0.6 x 3.5 x 100 mm, 2-component grip, with non-slip grip

---

Phoenix Contact 2023 © - all rights reserved

<https://www.phoenixcontact.com>

Phoenix Contact USA  
586 Fulling Mill Road  
Middletown, PA 17057, United States  
(+717) 944-1300  
[info@phoenixcon.com](mailto:info@phoenixcon.com)