

# FLKM 50-PA/SC/DIO/S7-1500 - Front adapter



2907383

<https://www.phoenixcontact.com/us/products/2907383>

Please be informed that the data shown in this PDF document is generated from our online catalog. Please find the complete data in the user documentation. Our general terms of use for downloads are valid.



VARIOFACE front adapter with screw connection, for SIMATIC® S7-1500 digital 35 mm modules, 1x 32 channels can be connected.

## Commercial data

Item number	2907383
Packing unit	1 pc
Minimum order quantity	1 pc
Sales key	C421
Product key	DK231S
GTIN	4055626256542
Weight per piece (including packing)	92.6 g
Weight per piece (excluding packing)	92.6 g
Customs tariff number	85369010
Country of origin	RO

# FLKM 50-PA/SC/DIO/S7-1500 - Front adapter



2907383

<https://www.phoenixcontact.com/us/products/2907383>

## Technical data

### Product properties

Product type	Front adapter
--------------	---------------

### Insulation characteristics

Overvoltage category	II
Pollution degree	2

### Electrical properties

Operating voltage (DC)	≤ 50 V DC
Nominal operating mode	100% operating factor
Current (Per path)	≤ 1 A
Current (per byte when supplying from the module side)	≤ 2 A
Current (Total current)	≤ 12 A (When supplying via the front adapter)
Rated surge voltage	0.5 kV

Supported controller: SIEMENS S7-1500

Suitable I/O card	6ES7521-1BL00-0AB0
	6ES7522-1BL00-0AB0
	6ES7522-1BL01-0AB0

### Connection data

#### Field level

Connection method	IDC/FLK pin strip
Number of connections	1
Number of positions	50
Pitch	2.54 mm

#### Supply

Connection method	Screw connection
Tightening torque	0.4 Nm

### Dimensions

#### Item dimensions

Width	29.8 mm
Height	130.4 mm
Depth	46 mm

### Environmental and real-life conditions

#### Ambient conditions

Degree of protection	IP20
Ambient temperature (operation)	-25 °C ... 60 °C
Ambient temperature (storage/transport)	-40 °C ... 70 °C

# FLKM 50-PA/SC/DIO/S7-1500 - Front adapter



2907383

<https://www.phoenixcontact.com/us/products/2907383>

## Standards and regulations

Standards/regulations	IEC 61131-2
-----------------------	-------------

## Notes

Notes on operation	For proper use, the specifications of the installation directive (see Downloads) must be observed. For applications or use with third-party products, the specifications, and the safety and warning instructions of the respective third-party manufacturer must also be met.
--------------------	--

# FLKM 50-PA/SC/DIO/S7-1500 - Front adapter

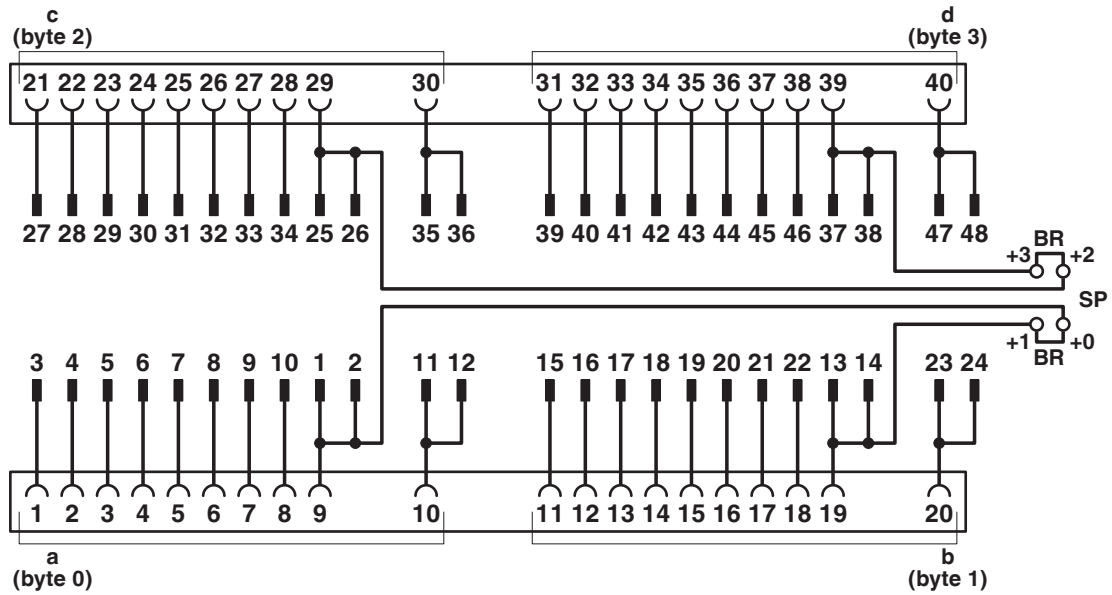


2907383

<https://www.phoenixcontact.com/us/products/2907383>

## Drawings

Circuit diagram



Connection scheme for FLKM 50-PA/.../DIO/S7-1500

# FLKM 50-PA/SC/DIO/S7-1500 - Front adapter



2907383

<https://www.phoenixcontact.com/us/products/2907383>

## Approvals

To download certificates, visit the product detail page: <https://www.phoenixcontact.com/us/products/2907383>



**EAC**

Approval ID: RU C-DE.A\*30.B00767



**UL Listed**

Approval ID: E238705



**cUL Listed**

Approval ID: E238705

# FLKM 50-PA/SC/DIO/S7-1500 - Front adapter



2907383

<https://www.phoenixcontact.com/us/products/2907383>

## Classifications

### ECLASS

ECLASS-13.0	27242292
ECLASS-15.0	27242292

### ETIM

ETIM 10.0	EC002584
-----------	----------

### UNSPSC

UNSPSC 21.0	32151600
-------------	----------

# FLKM 50-PA/SC/DIO/S7-1500 - Front adapter



2907383

<https://www.phoenixcontact.com/us/products/2907383>

## Environmental product compliance

### EU RoHS

Fulfills EU RoHS substance requirements	Yes, No exemptions
---	--------------------

### China RoHS

Environment friendly use period (EFUP)	EFUP-E
	No hazardous substances above the limits

### EU REACH SVHC

REACH candidate substance (CAS No.)	No substance above 0.1 wt%
-------------------------------------	----------------------------

Phoenix Contact 2026 © - all rights reserved  
<https://www.phoenixcontact.com>

Phoenix Contact USA  
586 Fulling Mill Road  
Middletown, PA 17057, United States  
(+717) 944-1300  
[info@phoenixcon.com](mailto:info@phoenixcon.com)