

SACC-E-MU-M8X0,5 - Flat nut



1504071

<https://www.phoenixcontact.com/us/products/1504071>

Please be informed that the data shown in this PDF document is generated from our online catalog. Please find the complete data in the user documentation. Our general terms of use for downloads are valid.

Flat nut, Screw mounting, M8 x 0.5, Item is lead-free in accordance with RoHS II without Exemption 6c (Pb <0.1%)



Commercial data

Item number	1504071
Packing unit	1 pc
Minimum order quantity	100 pc
Sales key	AB28
Product key	ABQZBA
Catalog page	Page 33 (C-2-2019)
GTIN	4017918833497
Weight per piece (including packing)	0.67 g
Weight per piece (excluding packing)	0.65 g
Customs tariff number	74153300
Country of origin	DE

SACC-E-MU-M8X0,5 - Flat nut



1504071

<https://www.phoenixcontact.com/us/products/1504071>

Technical data

Product properties

Product type	Flat nut
Thread type	M8

Material specifications

Material	Brass, nickel-plated
Material for screw connection	Brass, nickel-plated

Mounting

Mounting type	Screw mounting M8 x 0.5
---------------	-------------------------

SACC-E-MU-M8X0,5 - Flat nut

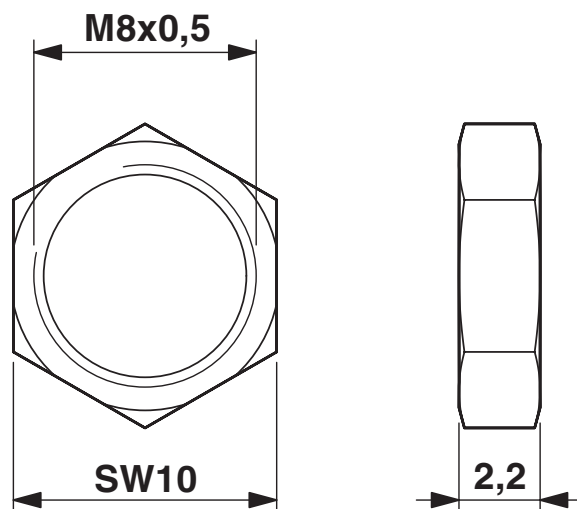
1504071

<https://www.phoenixcontact.com/us/products/1504071>



Drawings

Dimensional drawing



Dimensional drawing

SACC-E-MU-M8X0,5 - Flat nut



1504071

<https://www.phoenixcontact.com/us/products/1504071>

Classifications

ECLASS

ECLASS-11.0	27440210
ECLASS-12.0	27440210
ECLASS-13.0	27440210

ETIM

ETIM 9.0	EC002310
----------	----------

UNSPSC

UNSPSC 21.0	39121400
-------------	----------

SACC-E-MU-M8X0,5 - Flat nut



1504071

<https://www.phoenixcontact.com/us/products/1504071>

Environmental product compliance

REACH SVHC	Lead 7439-92-1
China RoHS	Environmentally friendly use period: unlimited = EFUP-e
	No hazardous substances above threshold values

Phoenix Contact 2023 © - all rights reserved
<https://www.phoenixcontact.com>

Phoenix Contact USA
586 Fulling Mill Road
Middletown, PA 17057, United States
(+717) 944-1300
info@phoenixcon.com