

VS-SCRJ-GOF-FA-IP67 - FO connectors



1657083

<https://www.phoenixcontact.com/us/products/1657083>

Please be informed that the data shown in this PDF document is generated from our online catalog. Please find the complete data in the user documentation. Our general terms of use for downloads are valid.



SC-RJ fiber optic connector, IP67, duplex, with fast connection technology, for multimode fiberglass 50/125 μm , for an individual wire diameter of 600 and 900 μm , for a cable diameter of 5.0 mm ... 8.5 mm

Your advantages

- For easy field connection
- Suitable for use in harsh environments

Commercial data

Item number	1657083
Packing unit	1 pc
Minimum order quantity	1 pc
Note	Made to order (non-returnable)
Sales key	NULL
Product key	ABNNBA
Catalog page	Page 341 (C-4-2015)
GTIN	4046356100137
Weight per piece (including packing)	31.4 g
Weight per piece (excluding packing)	31.4 g
Customs tariff number	85367000
Country of origin	DE

VS-SCRJ-GOF-FA-IP67 - FO connectors



1657083

<https://www.phoenixcontact.com/us/products/1657083>

Technical data

Notes

General	Only for assembly with tool 1658228 VS-GOF-FA-KONFTOOL-EU and 1658231 VS-GOF-FA-KONFTOOL-US. Not suitable for assembly with tool 1411049 FOC-TOOL-GOF KONF SET9.
---------	--

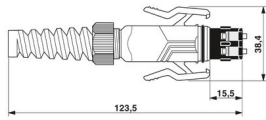
Product properties

Type	SCRJ
Product type	Fiber optic connector (cable side)
Sensor type	Ethernet
Number of positions	2
Connection profile	SCRJ in acc. with IEC 61754-24
Application	neutral
No. of cable outlets	1
No. of conductors	1
Type	SC-RJ
Cable outlet	straight

Electrical properties

Attenuation	≤ 0.5 dB (Insertion attenuation)
-------------	----------------------------------

Dimensions

Dimensional drawing	
Width	38.4 mm
Height	20 mm
Length	122 mm

Mechanical characteristics

Ferrule diameter	2.50 mm
------------------	---------

Material specifications

Color	gray
Material	Plastic
Flammability rating according to UL 94	V0
Ferrule material	Zirconia ceramics
Cable seal material	NBR
O-ring material	FPM
Housing material	PA

Cable/line

VS-SCRJ-GOF-FA-IP67 - FO connectors



1657083

<https://www.phoenixcontact.com/us/products/1657083>

Cable type	Fiberglass
Cable type	for all common cable types
External cable diameter ()	5 mm ... 8.5 mm
External cable diameter	5 mm ... 8.5 mm
Wire diameter	2.9 mm

FO cable

Number of fibers	2
Fiber	GOF
Fiber type	Multi-mode fiberglass

Mechanical properties

Mechanical data

Insertion/withdrawal cycles	≥ 1000
-----------------------------	--------

Characteristics

Attenuation	≤ 0.5 dB (Insertion attenuation)
-------------	----------------------------------

Environmental and real-life conditions

Ambient conditions

Degree of protection	IP65/IP67
	IP67
Ambient temperature (operation)	-20 °C ... 70 °C

Mounting

cable layer type	Outdoors and indoors
------------------	----------------------

VS-SCRJ-GOF-FA-IP67 - FO connectors

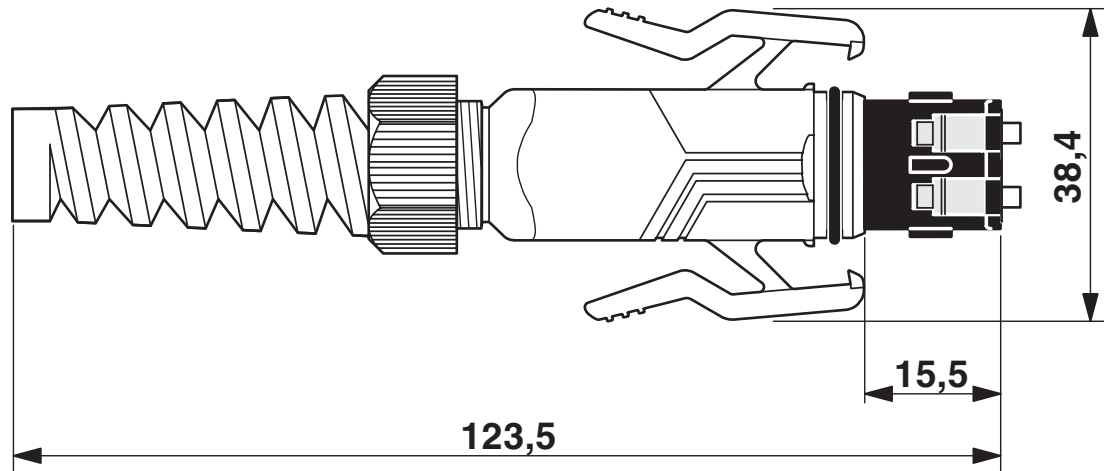


1657083

<https://www.phoenixcontact.com/us/products/1657083>

Drawings

Dimensional drawing



SC-RJ connector IP67

VS-SCRJ-GOF-FA-IP67 - FO connectors



1657083

<https://www.phoenixcontact.com/us/products/1657083>

Mandatory accessories

VS-GOF-FA-KONFTOOL-EU - Assembly tool set

1658228

<https://www.phoenixcontact.com/us/products/1658228>



Assembly tool set for fiberglass, for the field assembly of SC-RJ and SC-duplex connectors, with fast connection technology, with charger for 230 V

Accessories

VS-GOF-FA-KONFTOOL-EU - Assembly tool set

1658228

<https://www.phoenixcontact.com/us/products/1658228>



Assembly tool set for fiberglass, for the field assembly of SC-RJ and SC-duplex connectors, with fast connection technology, with charger for 230 V

VS-SCRJ-GOF-FA-IP67 - FO connectors



1657083

<https://www.phoenixcontact.com/us/products/1657083>

VS-GOF-FA-KONFTOOL-US - Assembly tool set

1658231

<https://www.phoenixcontact.com/us/products/1658231>



Assembly tool set for fiberglass, for the field assembly of SC-RJ and SC-duplex connectors, with fast connection technology, with charger for 110 V

VS-SCRJ-PC - Protective cover

1653757

<https://www.phoenixcontact.com/us/products/1653757>



IP67 protective cover, for covering the male inserts in the sleeve housings IP67, VS-SC-RJ-..., VS-04-..., VS-06-... and VS-08-...

VS-SCRJ-GOF-FA-IP67 - FO connectors



1657083

<https://www.phoenixcontact.com/us/products/1657083>

FOC-TOOL-FERRULECLEANER-2.50 - FO accessories

1407029

<https://www.phoenixcontact.com/us/products/1407029>

2.50 mm ferrule cleaner, for ST, SC, FC, E2000 (also APC), approx. 500 cleaning cycles



Phoenix Contact 2023 © - all rights reserved

<https://www.phoenixcontact.com>

Phoenix Contact USA
586 Fulling Mill Road
Middletown, PA 17057, United States
(+717) 944-1300
info@phoenixcon.com