

# VS-PPC-C1-SCRJ-MNNA-PG9-A3C-C - FO connectors



1608045

<https://www.phoenixcontact.com/us/products/1608045>

Please be informed that the data shown in this PDF document is generated from our online catalog. Please find the complete data in the user documentation. Our general terms of use for downloads are valid.



FO connectors, degree of protection: IP65/IP67, number of positions: 2, MM, material: Metal, connection method: Push-pull, cable outlet: straight, color: silver

## Commercial data

Item number	1608045
Packing unit	1 pc
Minimum order quantity	1 pc
Sales key	AB17
Product key	ABNOBA
Catalog page	Page 131 (C-2-2013)
GTIN	4046356131711
Weight per piece (including packing)	74.8 g
Weight per piece (excluding packing)	70.84 g
Customs tariff number	85367000
Country of origin	DE

# VS-PPC-C1-SCRJ-MNNA-PG9-A3C-C - FO connectors



1608045

<https://www.phoenixcontact.com/us/products/1608045>

## Technical data

### Notes

General	This product corresponds to the PROFINET Cabling and Interconnection Technology Guideline for PROFINET regulations, version 2.00, order no: 2.252, Chapter 8.4 Connectors for outside environment (optical fibre) and chapter 13 Application specific Cabling and Interconnection Technology (AIDA)
---------	---

### Product properties

Type	SC-RJ
Product type	Data connector (cable side)
Number of positions	2
Connection profile	SCRJ
Cable outlet	straight

### Insulation characteristics

Overvoltage category	I
Degree of pollution	2

### Electrical properties

Attenuation	≥ 2 dB (Insertion attenuation)
Transmission medium	FO
Transmission characteristics (category)	MM

### Connection data

#### Connection technology

Connection method	Push-Pull
-------------------	-----------

### Dimensions

Width	22 mm
Height	30 mm
Length	62.5 mm

### Material specifications

Color	silver
Material	Metal
Flammability rating according to UL 94	V0
Ferrule material	Copper alloy
Housing surface material	nickel-plated
Cable seal material	TPE
O-ring material	NBR
Housing material	Metal

# VS-PPC-C1-SCRJ-MNNA-PG9-A3C-C - FO connectors



1608045

<https://www.phoenixcontact.com/us/products/1608045>

## Cable/line

Cable type	Plastic-coated fiber
External cable diameter ( )	6.5 mm ... 9.5 mm
Wire diameter	2.2 mm
Individual wire diameter	2.2 mm
Resistance to oil	yes
Flame resistance	yes

## FO cable

Number of fibers	2
Fiber	200/230 µm
Fiber type	PCF

## Mechanical properties

### Mechanical data

Insertion/withdrawal cycles	≥ 500
-----------------------------	-------

## Characteristics

Attenuation	≥ 2 dB (Insertion attenuation)
-------------	--------------------------------

## Environmental and real-life conditions

### Ambient conditions

Degree of protection	IP65/IP67
Ambient temperature (operation)	-25 °C ... 70 °C
Ambient temperature (storage/transport)	-25 °C ... 70 °C
Ambient temperature (assembly)	0 °C ... 50 °C
Resistance to oil	yes

## Standards and regulations

Flame resistance	yes
Resistance to oil	yes
Standards/specifications	IEC PAS 61076-3-117

## Mounting

Connection method	Push-Pull
-------------------	-----------

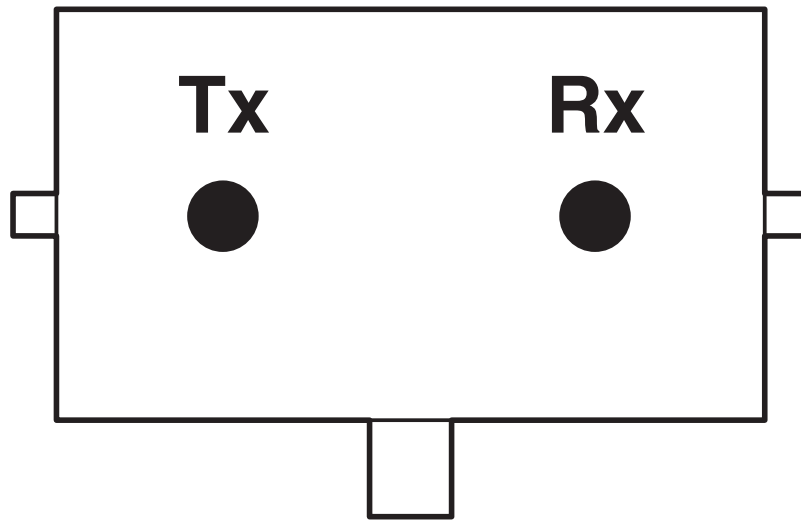
# VS-PPC-C1-SCRJ-MNNA-PG9-A3C-C - FO connectors

1608045

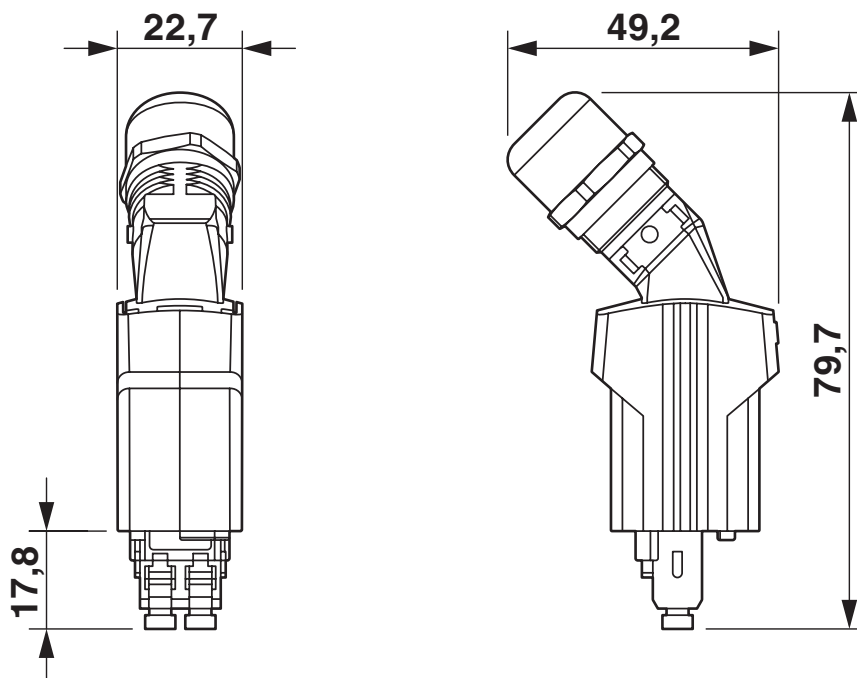
<https://www.phoenixcontact.com/us/products/1608045>

## Drawings

Schematic diagram



Dimensional drawing



Push-Pull SC-RJ connector IP65/67

# VS-PPC-C1-SCRJ-MNNA-PG9-A3C-C - FO connectors



1608045

<https://www.phoenixcontact.com/us/products/1608045>

## Approvals

To download certificates, visit the product detail page: <https://www.phoenixcontact.com/us/products/1608045>



**UL Listed**

Approval ID: E308814-20070105

# VS-PPC-C1-SCRJ-MNNA-PG9-A3C-C - FO connectors



1608045

<https://www.phoenixcontact.com/us/products/1608045>

## Classifications

### ECLASS

ECLASS-11.0	19170122
ECLASS-12.0	19170122
ECLASS-13.0	19170122

### ETIM

ETIM 9.0	EC001122
----------	----------

### UNSPSC

UNSPSC 21.0	43223300
-------------	----------

# VS-PPC-C1-SCRJ-MNNA-PG9-A3C-C - FO connectors



1608045

<https://www.phoenixcontact.com/us/products/1608045>

## Environmental product compliance

China RoHS	Environmentally friendly use period: unlimited = EFUP-e
	No hazardous substances above threshold values

# VS-PPC-C1-SCRJ-MNNA-PG9-A3C-C - FO connectors



1608045

<https://www.phoenixcontact.com/us/products/1608045>

## Accessories

### PSM-HCS-KONFTOOL/SC-RJ - Assembly tool

2708876

<https://www.phoenixcontact.com/us/products/2708876>



HCS assembly kit for SC-RJ quick mounting connectors, including stripping blade, stripping pliers, aramide yarn scissors, fiber stripper, microscope, fiber cleaving tool for standard HCS and HCS GI fibers, two SC-RJ connectors for standard HCS fiber, and documentation

---

### FL FOC PN-B-HCS-200/230 - FO cable

2313766

<https://www.phoenixcontact.com/us/products/2313766>



PROFINET PCF fiber cable, duplex 200  $\mu\text{m}$  / 230  $\mu\text{m}$ , for installation in stationary systems and machines, type B, PVC outer sheath, sold by the meter without plug



# VS-PPC-C1-SCRJ-MNNA-PG9-A3C-C - FO connectors



1608045

<https://www.phoenixcontact.com/us/products/1608045>

## FOC-OE-OE-HB01/... - FO cable

1406432

<https://www.phoenixcontact.com/us/products/1406432>



PCF outdoor cable, 2-wire, full breakout cable for fixed installation, non-metallic rodent protection, can be easily stripped, UV-resistant, high mechanical and thermal stability, low smoke, halogen-free and self-extinguishing, improved tread resistance, longitudinally and transversely watertight

## PSM-HCS-CLEAVETOOL/SCRJ - Assembly tool

2313122

<https://www.phoenixcontact.com/us/products/2313122>



Fiber cleaving tool for PCF fibers, pin assignment: SC-RJ or SC duplex for the assembly of SC quick mounting connectors, supplements PSM-PCF-KONFTOOL...

Phoenix Contact 2023 © - all rights reserved  
<https://www.phoenixcontact.com>

Phoenix Contact USA  
586 Fulling Mill Road  
Middletown, PA 17057, United States  
(+717) 944-1300  
[info@phoenixcon.com](mailto:info@phoenixcon.com)