

AI 0,75- 8 GY-S - Ferrule

1212522

<https://www.phoenixcontact.com/us/products/1212522>

Please be informed that the data shown in this PDF document is generated from our online catalog. Please find the complete data in the user documentation. Our general terms of use for downloads are valid.



Band ferrules, 0.75 mm², sleeve length 8 mm, with plastic collar, according to DIN 46228-4, color: gray, equipped with function end for safe and convenient processing with the Crimphandy, 20 strips with 50 sleeves per strip.

Your advantages

- The corresponding taped ferrules for the Crimphandy are suitable for use on all modular terminal blocks, particularly those from the CLIPLINE complete system
- The ferrules with plastic sleeve are made from soft tin-plated electrolytic copper
- The insulation reliability of close connections is increased and the splicing of wires is prevented

Commercial data

Item number	1212522
Packing unit	1,000 pc
Minimum order quantity	1,000 pc
Product key	BH341S
Catalog page	Page 488 (C-3-2019)
GTIN	4046356589628
Weight per piece (including packing)	0.11 g
Weight per piece (excluding packing)	0.108 g
Country of origin	DE

AI 0,75- 8 GY-S - Ferrule

1212522

<https://www.phoenixcontact.com/us/products/1212522>

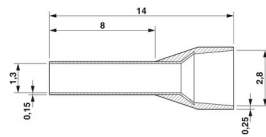


Technical data

Product properties

Product type	Cable end sleeve
Conductor category	stranded conductors, class 2, 5, 6 / B, C, K, M

Dimensions

Dimensional drawing	
Sleeve length	8 mm
Ferrule diameter	1.3 mm
Sleeve wall thickness	0.15 mm
Insulating collar thickness	0.25 mm
Inner dimensions of the insulating collar	2.8 mm

Material specifications

Color	gray
Material	CU-DHP
Flammability rating according to UL 94	HB
Coating	tin-plated (galvanic)
Components	free from silicone and halogen

Mechanical properties

Technical data

Sleeve length	8 mm
---------------	------

Environmental and real-life conditions

Ambient conditions

Permanent temperature	105 °C (-40 °C no load / 0 °C dynamic load)
Short-term temperature	120 °C

Standards and regulations

Design according to standard	DIN 46228-4, UL 486F-E
------------------------------	------------------------

AI 0,75- 8 GY-S - Ferrule

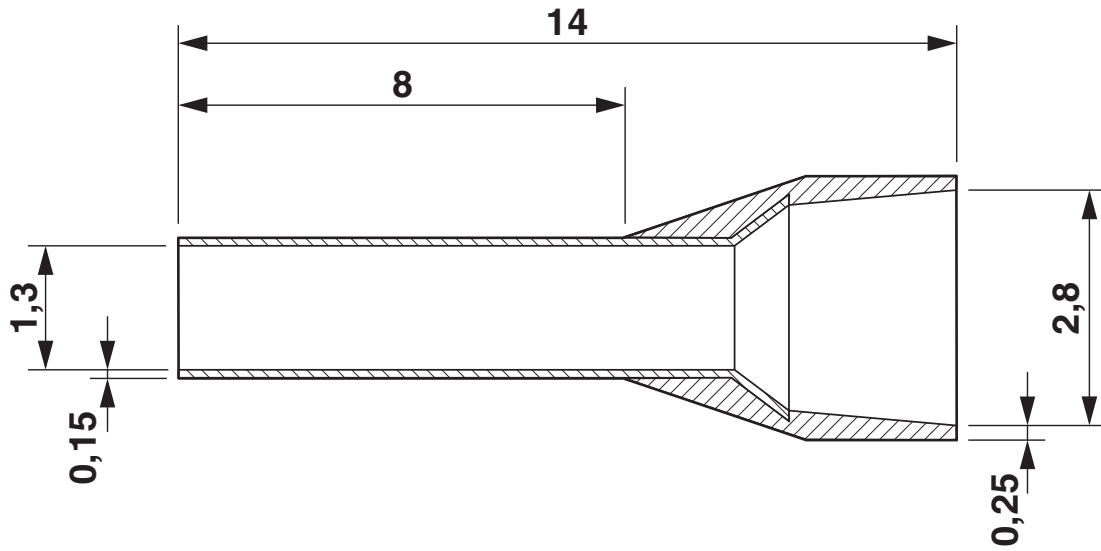
1212522

<https://www.phoenixcontact.com/us/products/1212522>



Drawings

Dimensional drawing



AI 0,75- 8 GY-S - Ferrule



1212522

<https://www.phoenixcontact.com/us/products/1212522>

Approvals

🔗 To download certificates, visit the product detail page: <https://www.phoenixcontact.com/us/products/1212522>



UL Listed

Approval ID: E488001



cUL Listed

Approval ID: E488001



cULus Listed

Approval ID: E488001

cULus Listed

AI 0,75- 8 GY-S - Ferrule

1212522

<https://www.phoenixcontact.com/us/products/1212522>



Classifications

ECLASS

ECLASS-11.0	27400201
ECLASS-12.0	27400201
ECLASS-13.0	27400201

ETIM

ETIM 9.0	EC000005
----------	----------

UNSPSC

UNSPSC 21.0	27121700
-------------	----------

AI 0,75- 8 GY-S - Ferrule

1212522

<https://www.phoenixcontact.com/us/products/1212522>



Environmental product compliance

China RoHS	Environmentally friendly use period: unlimited = EFUP-e
	No hazardous substances above threshold values

AI 0,75- 8 GY-S - Ferrule

1212522

<https://www.phoenixcontact.com/us/products/1212522>



Mandatory accessories

CF CRIMPHANDY 0,75 - Electrical crimping tool

1212464

<https://www.phoenixcontact.com/us/products/1212464>



Mobile handheld device, battery-powered, for processing on-tape ferrules 0.75 mm² with functional end, suitable for PVC insulated conductors (H05V-K), incl. battery, charger, CUTFOX 12 cable cutter, waste guide plate 2, service tool for error correction, and one strip of ferrules 0.75 mm², packed in a robust case.

Phoenix Contact 2023 © - all rights reserved
<https://www.phoenixcontact.com>

Phoenix Contact USA
586 Fulling Mill Road
Middletown, PA 17057, United States
(+717) 944-1300
info@phoenixcon.com