

UPS-BAT/PB/24DC/20AH - Energy storage



1348516

<https://www.phoenixcontact.com/us/products/1348516>

Please be informed that the data shown in this PDF document is generated from our online catalog. Please find the complete data in the user documentation. Our general terms of use for downloads are valid.



Energy storage, VRLA-AGM, 24 V DC, 20 Ah, automatic detection and communication with QUINT UPS-IQ

Product description

For continuous monitoring and intelligent management, there is constant communication with the QUINT UPS. Thanks to automatic detection of the energy storage, and tool-free switching during operation, quick installation is possible. The QUINT UPS with IQ technology energy storage leaves the warehouse fully charged.

Your advantages

- Maximum buffer times
- Consists of 2 x 12 V battery modules and an electronic monitoring unit
- Lead AGM (Absorbent Glass Mat) technology

Commercial data

Item number	1348516
Packing unit	1 pc
Minimum order quantity	1 pc
Sales key	CM24
Product key	CMUEV3
GTIN	4063151665951
Weight per piece (including packing)	13,400 g
Weight per piece (excluding packing)	13,200 g
Customs tariff number	85072080
Country of origin	CN

UPS-BAT/PB/24DC/20AH - Energy storage



1348516

<https://www.phoenixcontact.com/us/products/1348516>

Technical data

Energy storage

Input

Input voltage	24 V DC (SELV)
Nominal capacity	20 Ah
Charging current	6 A
End-of-charge voltage	27.6 V (20 °C)

Output

Output voltage	24 V DC
Output current I_{max}	45 A
Output fuse	2x 25 A
Buffer time	82 min. (10 A)
	22 min. (30 A)

General

Connection in parallel	yes
	max. 5
Connection in series	No
Battery type	BB Battery BP 20-12FR
Battery technology	VRLA-AGM
IQ-Technology	yes
Latest startup date (battery only)	12 Months (0 °C ... 20 °C)
Latest startup (battery only) - range	9 Months ... 12 Months (20 °C ... 30 °C)
	6 Months ... 9 Months (30 °C ... 40 °C)
Accumulator module service life (according to Eurobat)	8 (20 °C)
Storage medium	VRLA-AGM
Size designation	Block
Battery pack	yes
Suitable for fast charging	yes
Temperature sensor	yes
Number of replacement battery kits	1x (UPS-BAT-KIT/PB/2X12V/20AH (1185595))
Disposal	Used batteries must not be thrown away with household waste, they should instead be disposed of in accordance with applicable national regulations.

Connection data

Conductor connection

Connection method	Push-in connection
rigid	0.75 mm ² ... 16 mm ²
flexible	0.75 mm ² ... 16 mm ²
rigid (AWG)	18 ... 4
Stripping length	18 mm

1348516

<https://www.phoenixcontact.com/us/products/1348516>

Product properties

Product type	Battery unit
Product family	Energy storage
Application	for QUINT4 DC-UPS, QUINT4 AC-UPS, QUINT-UPS, and TRIO-UPS-2G
Disposal	Used batteries must not be thrown away with household waste, they should instead be disposed of in accordance with applicable national regulations.

Insulation characteristics

Protection class	III
Degree of pollution	2

Dimensions

Item dimensions

Width	155 mm
Height	168 mm
Depth	183 mm

Drill hole

Diameter	5 mm
----------	------

Installation dimensions

Installation distance right/left	0 mm / 0 mm
Installation distance top/bottom	50 mm / 50 mm

Mounting

Mounting position	Horizontally, on a mounting panel
-------------------	-----------------------------------

Material specifications

Housing material	Plastic
------------------	---------

Cable/line

Battery connecting cable: A+/-

Cable cross section	6 mm ²
Cable length	265 mm
Color	red/black

Battery connecting cable: B+/-

Cable cross section	6 mm ²
Cable length	265 mm
Color	red/black

Environmental and real-life conditions

Ambient conditions

UPS-BAT/PB/24DC/20AH - Energy storage



1348516

<https://www.phoenixcontact.com/us/products/1348516>

Degree of protection	IP20
Ambient temperature (storage/transport)	-20 °C ... 40 °C
Ambient temperature (charge)	0 °C ... 40 °C
Ambient temperature (discharge)	-20 °C ... 50 °C
Max. permissible relative humidity (operation)	≤ 95 %

Ex data

Suited for EX-applications	No
----------------------------	----

UPS-BAT/PB/24DC/20AH - Energy storage

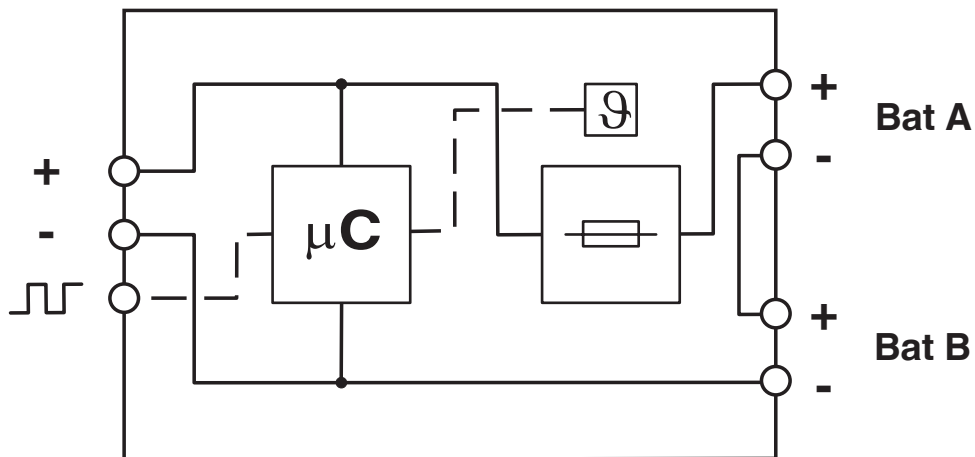


1348516

<https://www.phoenixcontact.com/us/products/1348516>

Drawings

Block diagram



Block diagram

UPS-BAT/PB/24DC/20AH - Energy storage



1348516

<https://www.phoenixcontact.com/us/products/1348516>

Approvals

To download certificates, visit the product detail page: <https://www.phoenixcontact.com/us/products/1348516>



cULus Listed

Approval ID: E123528-20220210



LR

Approval ID: LR22136091TA



BV

Approval ID: 41516/B0 BV

ABS

Approval ID: 22-2244289-PDA



cULus Listed

Approval ID: FILE E 123528

DNV

Approval ID: TAA0000265

	Nominal voltage U_N	Nominal current I_N	Cross section AWG	Cross section mm^2
	500 V	41 A	-	- 6



IECEE CB Scheme

Approval ID: DK-124876-M1-UL



cULus Listed

Approval ID: FILE E 199827

UPS-BAT/PB/24DC/20AH - Energy storage



1348516

<https://www.phoenixcontact.com/us/products/1348516>

Classifications

ECLASS

ECLASS-11.0	27050403
ECLASS-12.0	27050403
ECLASS-13.0	27050403

ETIM

ETIM 9.0	EC000357
----------	----------

UNSPSC

UNSPSC 21.0	26111700
-------------	----------

UPS-BAT/PB/24DC/20AH - Energy storage



1348516

<https://www.phoenixcontact.com/us/products/1348516>

Environmental product compliance

REACH SVHC	Lead 7439-92-1
China RoHS	Environmentally Friendly Use Period = 8
	For information on hazardous substances, refer to the manufacturer's declaration available under "Downloads"

1348516

<https://www.phoenixcontact.com/us/products/1348516>

Accessories

BATTERY MOUNTING CASE M - Mounting set for securing the batteries

1134645

<https://www.phoenixcontact.com/us/products/1134645>



Used for mounting batteries that cannot be mounted on DIN rails.

BATTERY MOUNTING KIT - Mounting set for securing the batteries

2320788

<https://www.phoenixcontact.com/us/products/2320788>



Used for mounting batteries that cannot be mounted on DIN rails.

UPS-BAT/PB/24DC/20AH - Energy storage



1348516

<https://www.phoenixcontact.com/us/products/1348516>

FUSE 25A/32V ATOF - Fuse

2908366

<https://www.phoenixcontact.com/us/products/2908366>



Fuse, nominal current: 25 A, length: 19.1 mm, width: 5 mm, height: 18.8 mm

BATTERY MOUNTING CASE - Mounting set for securing the batteries

2320458

<https://www.phoenixcontact.com/us/products/2320458>

Used for mounting batteries that cannot be mounted on DIN rails.



UPS-BAT/PB/24DC/20AH - Energy storage



1348516

<https://www.phoenixcontact.com/us/products/1348516>

UPS-BAT-KIT/PB/2X12V/20AH - Uninterruptible power supply replacement battery

1185595

<https://www.phoenixcontact.com/us/products/1185595>



Replacement battery, VRLA-AGM, 2x12 V DC, 20 Ah

Phoenix Contact 2023 © - all rights reserved

<https://www.phoenixcontact.com>

Phoenix Contact USA
586 Fulling Mill Road
Middletown, PA 17057, United States
(+717) 944-1300
info@phoenixcon.com