

# EO-AB/UT/LED/DUO/V/GFI/15 - Double socket



1263628

<https://www.phoenixcontact.com/us/products/1263628>

Please be informed that the data shown in this PDF document is generated from our online catalog. Please find the complete data in the user documentation. Our general terms of use for downloads are valid.



Double socket, Pin connector pattern type AB 15A, Screw connection, gray, Direct mounting, 125 V AC, 15 A, -20 °C, 60 °C, UL 508

## Commercial data

Item number	1263628
Packing unit	1 pc
Minimum order quantity	1 pc
Sales key	BE76
Product key	BE7613
GTIN	4063151375386
Weight per piece (including packing)	286.6 g
Weight per piece (excluding packing)	286 g
Customs tariff number	85366990
Country of origin	PL

1263628

<https://www.phoenixcontact.com/us/products/1263628>

## Technical data

### Product properties

Product type	Socket
Country ID	USA
Response time	25 ms (6 mA)

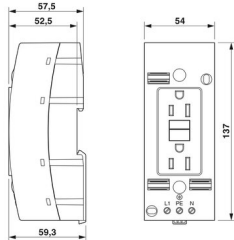
### Electrical properties

Nominal voltage $U_N$	125 V AC (60 Hz)
Nominal current $I_N$	15 A

### Signaling

Status display	Yes
----------------	-----

### Dimensions

Dimensional drawing	
Width	54 mm
Height	137 mm
Depth	137 mm

### Material specifications

Color	gray
Flammability rating according to UL 94	V2
Insulating material	PA
Contact material	CuZn37
Static insulating material application in cold	-60 °C
Temperature index of insulation material (DIN EN 60216-1 (VDE 0304-21))	130 °C
Relative insulation material temperature index (Elec., UL 746 B)	130 °C
Fire protection for rail vehicles (DIN EN 45545-2) R22	HL 1 - HL 3
Fire protection for rail vehicles (DIN EN 45545-2) R23	HL 1 - HL 3
Fire protection for rail vehicles (DIN EN 45545-2) R24	HL 1 - HL 3
Fire protection for rail vehicles (DIN EN 45545-2) R26	HL 1 - HL 3
Surface flammability NFPA 130 (ASTM E 162)	passed
Specific optical density of smoke NFPA 130 (ASTM E 662)	passed
Smoke gas toxicity NFPA 130 (SMP 800C)	passed

# EO-AB/UT/LED/DUO/V/GFI/15 - Double socket



1263628

<https://www.phoenixcontact.com/us/products/1263628>

## Connector

Type of plug	Pin connector pattern type AB 15A
--------------	-----------------------------------

## Environmental and real-life conditions

### Ambient conditions

Degree of protection	IP20
Ambient temperature (operation)	-20 °C ... 60 °C (max. short-term operating temperature RTI Elec. )

## Standards and regulations

### Standards

Standards/regulations	UL 508
-----------------------	--------

## Mounting

Mounting type	Direct mounting
Connection method	Screw connection

# EO-AB/UT/LED/DUO/V/GFI/15 - Double socket

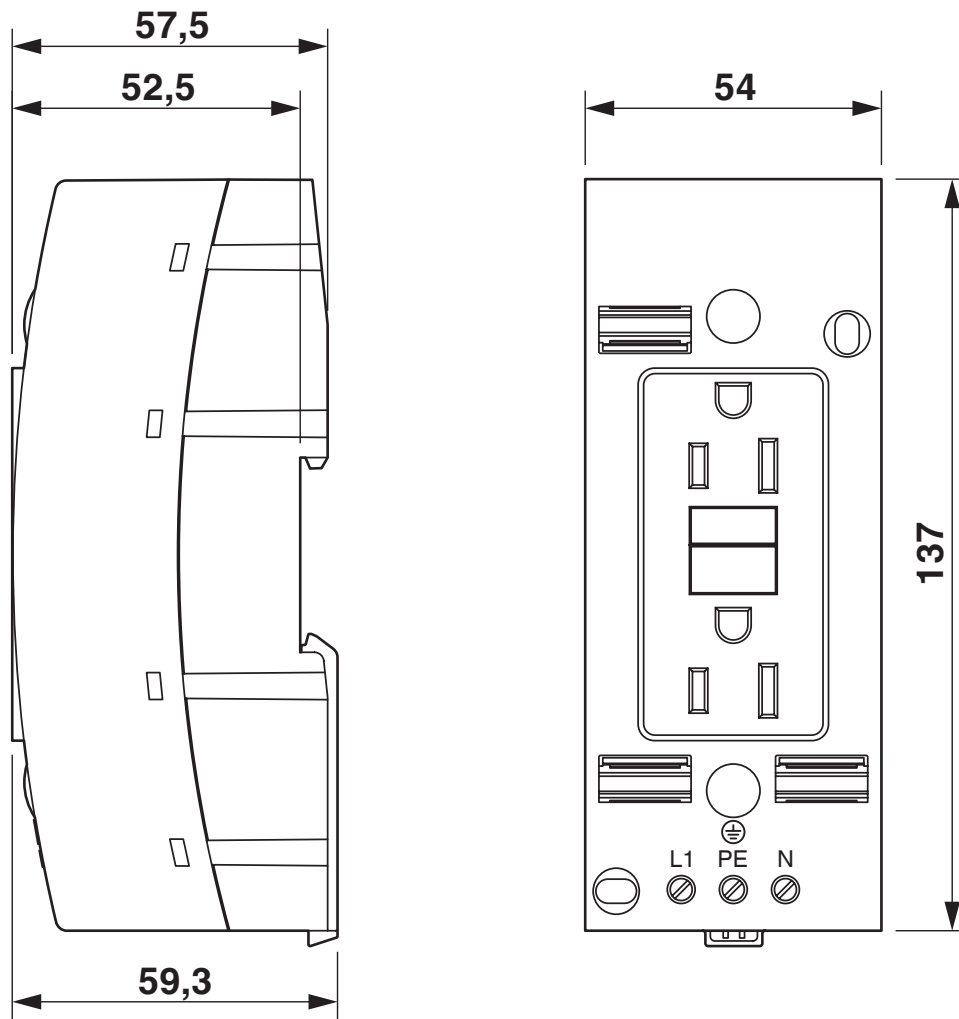


1263628

<https://www.phoenixcontact.com/us/products/1263628>

## Drawings

Dimensional drawing

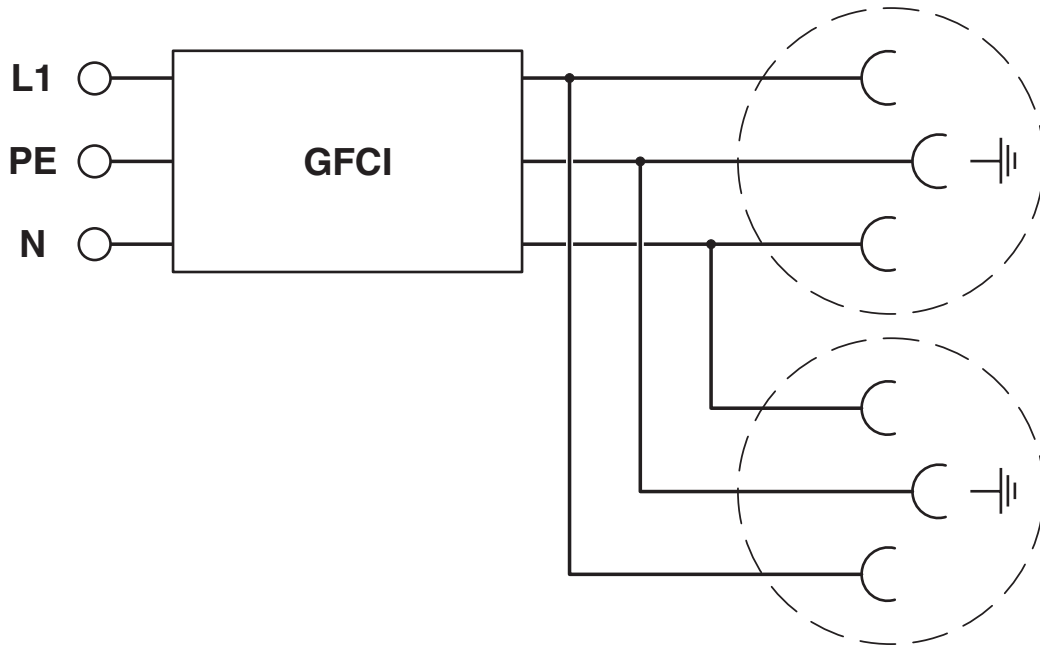


# EO-AB/UT/LED/DUO/V/GFI/15 - Double socket

1263628

<https://www.phoenixcontact.com/us/products/1263628>

Circuit diagram



# EO-AB/UT/LED/DUO/V/GFI/15 - Double socket





1263628

<https://www.phoenixcontact.com/us/products/1263628>

## Approvals

To download certificates, visit the product detail page: <https://www.phoenixcontact.com/us/products/1263628>

 <b>cULus Recognized</b> Approval ID: E255026				
	Nominal voltage $U_N$	Nominal current $I_N$	Cross section AWG	Cross section $\text{mm}^2$
	120 V	15 A	24 - 12	-

 <b>CSA</b> Approval ID: 13631				
	Nominal voltage $U_N$	Nominal current $I_N$	Cross section AWG	Cross section $\text{mm}^2$
	120 V	15 A	24 - 12	-

# EO-AB/UT/LED/DUO/V/GFI/15 - Double socket



1263628

<https://www.phoenixcontact.com/us/products/1263628>

## Classifications

### ECLASS

ECLASS-11.0	27142305
ECLASS-12.0	27142305
ECLASS-13.0	27142305

### ETIM

ETIM 9.0	EC001663
----------	----------

### UNSPSC

UNSPSC 21.0	39121406
-------------	----------

# EO-AB/UT/LED/DUO/V/GFI/15 - Double socket



1263628

<https://www.phoenixcontact.com/us/products/1263628>

## Environmental product compliance

REACH SVHC

Lead 7439-92-1



# EO-AB/UT/LED/DUO/V/GFI/15 - Double socket



1263628

<https://www.phoenixcontact.com/us/products/1263628>

## Accessories

### NS 35/ 7,5 PERF 2000MM - DIN rail perforated

0801733

<https://www.phoenixcontact.com/us/products/0801733>



DIN rail perforated, Pack of 25 (50 m), acc. to EN 60715, material: Steel, galvanized, passivated with a thick layer, Standard profile, color: silver

---

### NS 35/ 7,5 UNPERF 2000MM - DIN rail, unperforated

0801681

<https://www.phoenixcontact.com/us/products/0801681>



DIN rail, unperforated, Pack of 25 (50 m), acc. to EN 60715, material: Steel, galvanized, passivated with a thick layer, Standard profile, color: silver

# EO-AB/UT/LED/DUO/V/GFI/15 - Double socket



1263628

<https://www.phoenixcontact.com/us/products/1263628>

## NS 35/ 7,5 WH PERF 2000MM - DIN rail perforated

1204119

<https://www.phoenixcontact.com/us/products/1204119>



DIN rail perforated, Pack of 25 (50 m), acc. to EN 60715, material: Steel, Galvanized, white passivated, Standard profile, color: silver

---

## NS 35/ 7,5 WH UNPERF 2000MM-VPE 10 - DIN rail, unperforated

1204122

<https://www.phoenixcontact.com/us/products/1204122>



DIN rail, unperforated, Pack of 10 (20 m), acc. to EN 60715, material: Steel, Galvanized, white passivated, Standard profile, color: silver

# EO-AB/UT/LED/DUO/V/GFI/15 - Double socket



1263628

<https://www.phoenixcontact.com/us/products/1263628>

## NS 35/ 7,5 AL UNPERF 2000MM - DIN rail, unperforated

0801704

<https://www.phoenixcontact.com/us/products/0801704>



DIN rail, unperforated, Pack of 25 (50 m), acc. to EN 60715, material: Aluminum, uncoated, Standard profile, color: silver

---

## NS 35/ 7,5 ZN PERF 2000MM - DIN rail perforated

1206421

<https://www.phoenixcontact.com/us/products/1206421>



DIN rail perforated, Pack of 25 (50 m), acc. to EN 60715, material: Steel, galvanized, Standard profile, color: silver

# EO-AB/UT/LED/DUO/V/GFI/15 - Double socket



1263628

<https://www.phoenixcontact.com/us/products/1263628>

## NS 35/ 7,5 ZN UNPERF 2000MM - DIN rail, unperforated

1206434

<https://www.phoenixcontact.com/us/products/1206434>



DIN rail, unperforated, Pack of 25 (50 m), acc. to EN 60715, material: Steel, galvanized, Standard profile, color: silver

---

## NS 35/ 7,5 CU UNPERF 2000MM-VPE 10 - DIN rail, unperforated

0801762

<https://www.phoenixcontact.com/us/products/0801762>



DIN rail, unperforated, Pack of 10 (20 m), acc. to EN 60715, material: Copper, uncoated, Standard profile, color: copper-colored

# EO-AB/UT/LED/DUO/V/GFI/15 - Double socket

1263628

<https://www.phoenixcontact.com/us/products/1263628>



## NS 35/ 7,5 CAP - End cap

1206560

<https://www.phoenixcontact.com/us/products/1206560>

DIN rail end piece, for DIN rail NS 35/7.5



---

## NS 35/15 PERF 2000MM - DIN rail perforated

1201730

<https://www.phoenixcontact.com/us/products/1201730>



DIN rail perforated, Pack of 25 (50 m), similar to EN 60715, material: Steel, galvanized, passivated with a thick layer, Standard profile, color: silver

# EO-AB/UT/LED/DUO/V/GFI/15 - Double socket



1263628

<https://www.phoenixcontact.com/us/products/1263628>

## NS 35/15 UNPERF 2000MM - DIN rail, unperforated

1201714

<https://www.phoenixcontact.com/us/products/1201714>



DIN rail, unperforated, Pack of 25 (50 m), similar to EN 60715, material: Steel, galvanized, passivated with a thick layer, Standard profile, color: silver

---

## NS 35/15 WH PERF 2000MM - DIN rail perforated

0806602

<https://www.phoenixcontact.com/us/products/0806602>



DIN rail perforated, Pack of 25 (50 m), similar to EN 60715, material: Steel, Galvanized, white passivated, Standard profile, color: white

# EO-AB/UT/LED/DUO/V/GFI/15 - Double socket



1263628

<https://www.phoenixcontact.com/us/products/1263628>

## NS 35/15 WH UNPERF 2000MM-VPE 10 - DIN rail, unperforated

1204135

<https://www.phoenixcontact.com/us/products/1204135>



DIN rail, unperforated, Pack of 10 (20 m), similar to EN 60715, material: Steel, Galvanized, white passivated, Standard profile, color: silver

---

## NS 35/15 AL UNPERF 2000MM - DIN rail, unperforated

1201756

<https://www.phoenixcontact.com/us/products/1201756>



DIN rail, unperforated, similar to EN 60715, material: Aluminum, uncoated, Standard profile, color: silver

# EO-AB/UT/LED/DUO/V/GFI/15 - Double socket



1263628

<https://www.phoenixcontact.com/us/products/1263628>

## NS 35/15 ZN PERF 2000MM - DIN rail perforated

1206599

<https://www.phoenixcontact.com/us/products/1206599>



DIN rail perforated, Pack of 25 (50 m), similar to EN 60715, material: Steel, galvanized, Standard profile, color: silver

---

## NS 35/15 ZN UNPERF 2000MM - DIN rail, unperforated

1206586

<https://www.phoenixcontact.com/us/products/1206586>



DIN rail, unperforated, Pack of 25 (50 m), similar to EN 60715, material: Steel, galvanized, Standard profile, color: silver



# EO-AB/UT/LED/DUO/V/GFI/15 - Double socket



1263628

<https://www.phoenixcontact.com/us/products/1263628>

## NS 35/15 CU UNPERF 2000MM-VPE 10 - DIN rail, unperforated

1201895

<https://www.phoenixcontact.com/us/products/1201895>



DIN rail, unperforated, Pack of 10 (20 m), similar to EN 60715, material: Copper, uncoated, Standard profile, color: copper-colored

---

## NS 35/15 CAP - End cap

1206573

<https://www.phoenixcontact.com/us/products/1206573>

DIN rail end piece, for DIN rail NS 35/15



## EO-AB/UT/LED/DUO/V/GFI/15 - Double socket

1263628

<https://www.phoenixcontact.com/us/products/1263628>



## NS 35/15-2,3 UNPERF 2000MM-VPE 10 - DIN rail, unperforated

1201798

<https://www.phoenixcontact.com/us/products/1201798>



DIN rail, unperforated, Pack of 10 (20 m), acc. to EN 60715, material: Steel, galvanized, passivated with a thick layer, Standard profile 2.3 mm, color: silver

---

## ZBF 16:UNPRINTED - Zack Marker strip, flat

0827464

<https://www.phoenixcontact.com/us/products/0827464>



Zack Marker strip, flat, Strip, white, unlabeled, can be labeled with: PLOTMARK, CMS-P1-PLOTTER, mounting type: snapped, for terminal block width: 16 mm, lettering field size: 16.25 x 10.5 mm, Number of individual labels: 50

# EO-AB/UT/LED/DUO/V/GFI/15 - Double socket



1263628

<https://www.phoenixcontact.com/us/products/1263628>

## ZBF 16 CUS - Zack Marker strip, flat

0827465

<https://www.phoenixcontact.com/us/products/0827465>



Zack Marker strip, flat, can be ordered: Strip, white, labeled according to customer specifications, mounting type: snap into flat marker groove, for terminal block width: 16 mm, lettering field size: 5.15 x 16 mm, Number of individual labels: 5

---

## UC-TMF 16 - Marker for terminal blocks

0819262

<https://www.phoenixcontact.com/us/products/0819262>



Marker for terminal blocks, Sheet, white, unlabeled, can be labeled with: BLUEMARK ID COLOR, BLUEMARK ID, BLUEMARK CLED, PLOTMARK, CMS-P1-PLOTTER, mounting type: snapped, for terminal block width: 16 mm, lettering field size: 15.45 x 5.1 mm, Number of individual labels: 32

# EO-AB/UT/LED/DUO/V/GFI/15 - Double socket



1263628

<https://www.phoenixcontact.com/us/products/1263628>

## UC-TMF 16 CUS - Marker for terminal blocks

0824678

<https://www.phoenixcontact.com/us/products/0824678>



Marker for terminal blocks, can be ordered: by sheet, white, labeled according to customer specifications, mounting type: snap into flat marker groove, for terminal block width: 16 mm, lettering field size: 15.45 x 5.1 mm, Number of individual labels: 32

---

## UCT-TMF 16 - Marker for terminal blocks

0829218

<https://www.phoenixcontact.com/us/products/0829218>



Marker for terminal blocks, Sheet, white, unlabeled, can be labeled with: TOPMARK NEO, TOPMARK LASER, BLUEMARK ID COLOR, BLUEMARK ID, BLUEMARK CLED, THERMOMARK PRIME, THERMOMARK CARD 2.0, THERMOMARK CARD, mounting type: snapped, for terminal block width: 16 mm, lettering field size: 15.2 x 4.7 mm, Number of individual labels: 24

# EO-AB/UT/LED/DUO/V/GFI/15 - Double socket

1263628

<https://www.phoenixcontact.com/us/products/1263628>



## UCT-TMF 16 CUS - Marker for terminal blocks

0829693

<https://www.phoenixcontact.com/us/products/0829693>



Marker for terminal blocks, can be ordered: by sheet, white, labeled according to customer specifications, mounting type: snap into flat marker groove, for terminal block width: 16 mm, lettering field size: 15.2 x 4.7 mm, Number of individual labels: 24

---

## SZF 1-0,6X3,5 - Screwdriver

1204517

<https://www.phoenixcontact.com/us/products/1204517>



Actuation tool, for ST terminal blocks, also suitable for use as a bladed screwdriver, size: 0.6 x 3.5 x 100 mm, 2-component grip, with non-slip grip

---

Phoenix Contact 2023 © - all rights reserved  
<https://www.phoenixcontact.com>

Phoenix Contact USA  
586 Fulling Mill Road  
Middletown, PA 17057, United States  
(+717) 944-1300  
[info@phoenixcon.com](mailto:info@phoenixcon.com)