

NBC-PP-G1PGY - DIN rail adapter



1041740

<https://www.phoenixcontact.com/us/products/1041740>

Please be informed that the data shown in this PDF document is generated from our online catalog. Please find the complete data in the user documentation. Our general terms of use for downloads are valid.



DIN rail adapter, design: Headers with shielding, degree of protection: IP20, material: PC-GF10, connection method: Quick connection, without assembled modules

Product description

Compact DIN rail adapter with optional overall shielding braid, with dust protection cover, one-piece design

Your advantages

- Compact design
- For distributing copper and fiber optic cabling
- Front release without special tool
- Assembly without special tools

Commercial data

Item number	1041740
Packing unit	1 pc
Minimum order quantity	1 pc
Sales key	AB18
Product key	ABNLAA
Catalog page	Page 375 (C-2-2019)
GTIN	4055626598666
Weight per piece (including packing)	29.3 g
Weight per piece (excluding packing)	27.043 g
Customs tariff number	85366990
Country of origin	DE

NBC-PP-G1PGY - DIN rail adapter

1041740

<https://www.phoenixcontact.com/us/products/1041740>

Technical data

Notes

Notes on operation	without assembled modules
--------------------	---------------------------

Product properties

Product type	Patch panel
Set comprises	1100077 NBC-PP-J1PGY-S/R4IDC8
Number of module slots	1
Number of slots	1

Data management status

Article revision	01
------------------	----

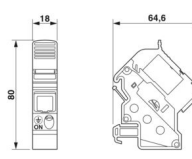
Electrical properties

Contact resistance per contact pair	$\leq 5 \text{ m}\Omega$
Contact resistance	$\leq 5 \text{ m}\Omega$ (Shield-ground, optional)

Connection data

Connection method	Quick connection
-------------------	------------------

Dimensions

Dimensional drawing	
Width	18 mm
Height	80 mm
Depth	64.6 mm

Material specifications

Material	PP
Flammability rating according to UL 94	V0
Housing material	PC-GF10
Contact material	CuSn6
Contact surface material	Tin

Environmental and real-life conditions

Ambient conditions

Degree of protection	IP20
	IP20
Ambient temperature (operation)	-10 °C ... 60 °C
Ambient temperature (storage/transport)	-40 °C ... 60 °C

NBC-PP-G1PGY - DIN rail adapter



1041740

<https://www.phoenixcontact.com/us/products/1041740>

Mounting

Mounting type	DIN rail mounting
Assembly note	Dust cover not compatible with FO module inserts

NBC-PP-G1PGY - DIN rail adapter

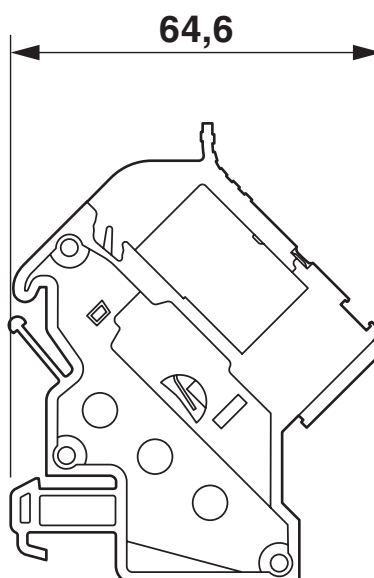
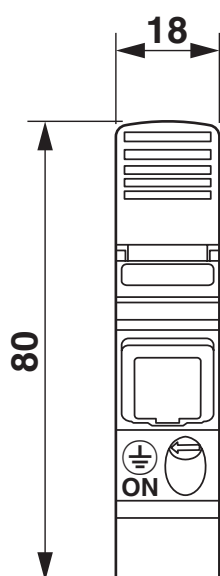
1041740

<https://www.phoenixcontact.com/us/products/1041740>



Drawings

Dimensional drawing



NBC-PP-G1PGY - DIN rail adapter



1041740

<https://www.phoenixcontact.com/us/products/1041740>

Classifications

ECLASS

ECLASS-11.0	19170112
ECLASS-12.0	19170112
ECLASS-13.0	19170112

ETIM

ETIM 9.0	EC001128
----------	----------

UNSPSC

UNSPSC 21.0	26121600
-------------	----------

NBC-PP-G1PGY - DIN rail adapter



1041740

<https://www.phoenixcontact.com/us/products/1041740>

Environmental product compliance

EU RoHS

Fulfills EU RoHS substance requirements	Yes, No exemptions
---	--------------------

China RoHS

Environment friendly use period (EFUP)	EFUP-E
	No hazardous substances above the limits

EU REACH SVHC

REACH candidate substance (CAS No.)	No substance above 0.1 wt%
-------------------------------------	----------------------------

Phoenix Contact 2024 © - all rights reserved
<https://www.phoenixcontact.com>

Phoenix Contact USA
586 Fulling Mill Road
Middletown, PA 17057, United States
(+717) 944-1300
info@phoenixcon.com