

SH-20KS1,50-4,00 - Crimp contact



1244462

<https://www.phoenixcontact.com/us/products/1244462>

Please be informed that the data shown in this PDF document is generated from our online catalog. Please find the complete data in the user documentation. Our general terms of use for downloads are valid.



Crimp contact, Socket, turned, contact diameter: 2 mm, crimp range: 2.5 mm² ... 4 mm², Item is lead-free in accordance with RoHS II without Exemption 6c (Pb <0.1%)

Your advantages

- Crimping connection: vibration- and temperature-resistant assembly
- High tensile strength of the connection
- Low contact resistance
- Easy production monitoring

Commercial data

| | |
|--------------------------------------|---------------|
| Item number | 1244462 |
| Packing unit | 1 pc |
| Minimum order quantity | 50 pc |
| Sales key | AB36 |
| Product key | ABREBG |
| GTIN | 4063151456108 |
| Weight per piece (including packing) | 0.956 g |
| Weight per piece (excluding packing) | 0.956 g |
| Customs tariff number | 85366990 |
| Country of origin | DE |

SH-20KS1,50-4,00 - Crimp contact



1244462

<https://www.phoenixcontact.com/us/products/1244462>

Technical data

Mounting

| | |
|-------------------|------------------|
| Connection method | Crimp connection |
|-------------------|------------------|

Product properties

| | |
|-----------------------|---------------|
| Product type | Crimp contact |
| Contact material type | turned |

Connection data

| | |
|-------------------------|---|
| Connection method | Crimp connection |
| Contact connection type | Socket |
| Conductor cross section | 2.5 mm ² ... 4 mm ² |

Material specifications

| | |
|------------------|--|
| Contact surface | Nickel-plated (Ni), with gold coating (Au) |
| Contact material | CuZn |

Dimensions

Mechanical characteristics

| | |
|------------------|------|
| Contact diameter | 2 mm |
|------------------|------|

Mechanical properties

Mechanical data

| | |
|-----------------------------|-----|
| Insertion/withdrawal cycles | 100 |
|-----------------------------|-----|

SH-20KS1,50-4,00 - Crimp contact

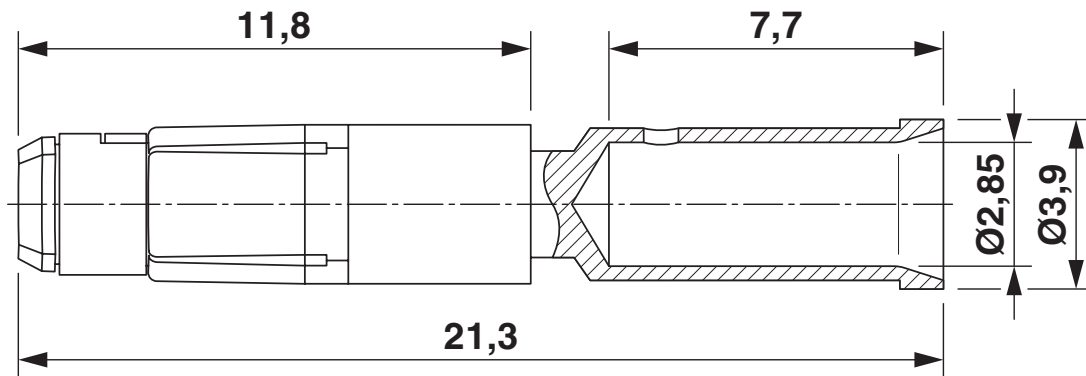


1244462

<https://www.phoenixcontact.com/us/products/1244462>

Drawings

Dimensional drawing



Dimensional drawing

SH-20KS1,50-4,00 - Crimp contact



1244462

<https://www.phoenixcontact.com/us/products/1244462>

Classifications

ECLASS

| | |
|-------------|----------|
| ECLASS-11.0 | 27440204 |
| ECLASS-12.0 | 27440204 |
| ECLASS-13.0 | 27440204 |

ETIM

| | |
|----------|----------|
| ETIM 9.0 | EC000796 |
|----------|----------|

UNSPSC

| | |
|-------------|----------|
| UNSPSC 21.0 | 39121100 |
|-------------|----------|

SH-20KS1,50-4,00 - Crimp contact



1244462

<https://www.phoenixcontact.com/us/products/1244462>

Environmental product compliance

| | |
|------------|---|
| China RoHS | Environmentally friendly use period: unlimited = EFUP-e |
| | No hazardous substances above threshold values |

SH-20KS1,50-4,00 - Crimp contact

1244462

<https://www.phoenixcontact.com/us/products/1244462>



Accessories

SF-Z0025 - Crimping pliers with digital display

1607452

<https://www.phoenixcontact.com/us/products/1607452>



Crimping pliers for turned crimp contacts \varnothing 1.0 mm / \varnothing 1.6 mm / \varnothing 2 mm / \varnothing 3.6 mm, litz wire cross section of 0.08 mm² ... 6 mm²

Phoenix Contact 2023 © - all rights reserved
<https://www.phoenixcontact.com>

Phoenix Contact USA
586 Fulling Mill Road
Middletown, PA 17057, United States
(+717) 944-1300
info@phoenixcon.com