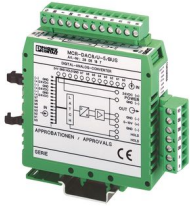


MCR-DAC 8-U-10-BUS - Converter

2808190

<https://www.phoenixcontact.com/us/products/2808190>

Please be informed that the data shown in this PDF document is generated from our online catalog. Please find the complete data in the user documentation. Our general terms of use for downloads are valid.



MCR 8-bit digital/analog converters, with flat-ribbon cable connection and COMBICON connector, pitch 5.08 mm, output signal 0..10 V

Commercial data

Item number	2808190
Packing unit	1 pc
Minimum order quantity	1 pc
Note	Made to order (non-returnable)
Sales key	C401
Product key	CK1834
Catalog page	Page 343 (IF-2007)
GTIN	4017918075545
Weight per piece (including packing)	151.2 g
Weight per piece (excluding packing)	145 g
Customs tariff number	85389091
Country of origin	DE

MCR-DAC 8-U-10-BUS - Converter



2808190

<https://www.phoenixcontact.com/us/products/2808190>

Technical data

Electrical properties

Maximum power dissipation for nominal condition	< 480 mW
Protective circuit	Protection against polarity reversal, suppressor diode
Maximum transmission error	±1 LSB, for 25 °C

Supply

Nominal supply voltage	24 V DC ±10 %
Supply voltage range	22 V DC ... 26 V DC
Max. current consumption	20 mA

Input data

Signal D/A converter

Input signal digital	8 bit (1 leading sign)
Input voltage range	24 V DC ... 30 V DC
Signal level "1" signal	≥ 15 V DC
Signal level "0" signal	≤ 2 V DC
Max. current input signal	≤ 1 mA
Input resistance of voltage input	≥ 5.7 kΩ
Protective circuit	Surge protection; Suppressor diode, 36 V / 1500 W

Output data

Signal

Output current	5 mA
----------------	------

Signal: Voltage output

Voltage output signal	0 V ... 10 V
Load/output load voltage output	≥ 2 kΩ
Resolution, outputs (voltage)	approx. 39 mV
D/A conversion time	≤ 25 μs

Connection data

Connection method	Screw connection
Stripping length	8 mm
Screw thread	M3
Conductor cross section rigid	0.2 mm ² ... 2.5 mm ²
Conductor cross section flexible	0.2 mm ² ... 2.5 mm ²
Conductor cross section AWG	24 ... 14

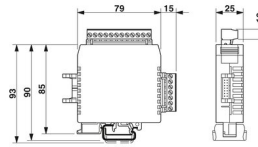
Dimensions

MCR-DAC 8-U-10-BUS - Converter

2808190

<https://www.phoenixcontact.com/us/products/2808190>

Dimensional drawing



Width	25 mm
Height	79 mm
Depth	93 mm

Material specifications

Housing material	Polyamide PA non-reinforced
------------------	-----------------------------

Environmental and real-life conditions

Ambient conditions

Ambient temperature (operation)	0 °C ... 55 °C
---------------------------------	----------------

Approvals

CE

Certificate	CE-compliant
-------------	--------------

Mounting

Mounting type	DIN rail mounting
Mounting position	any

MCR-DAC 8-U-10-BUS - Converter

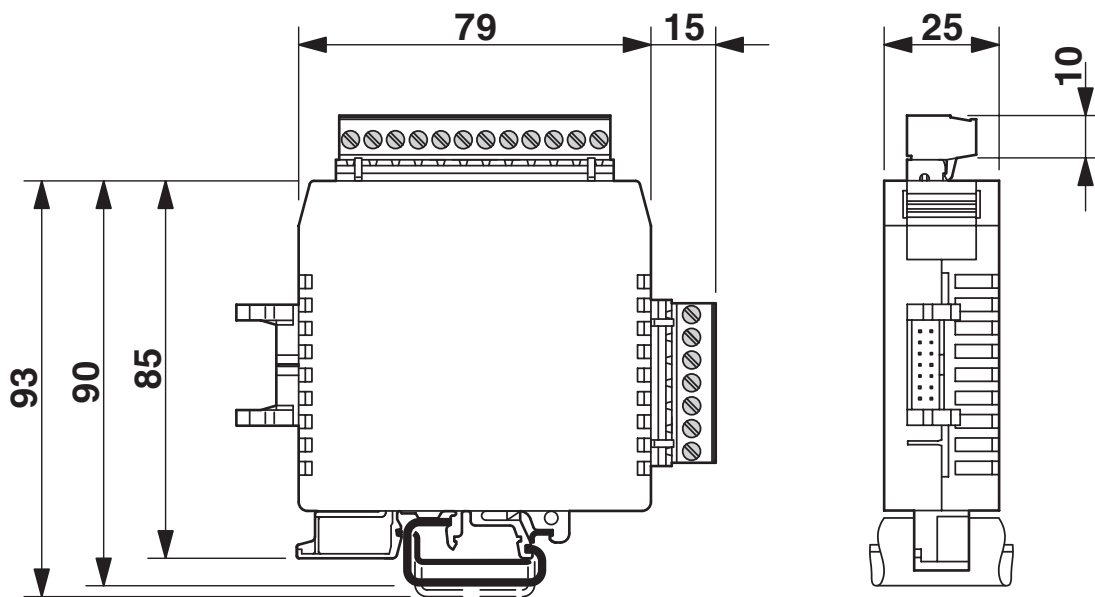


2808190

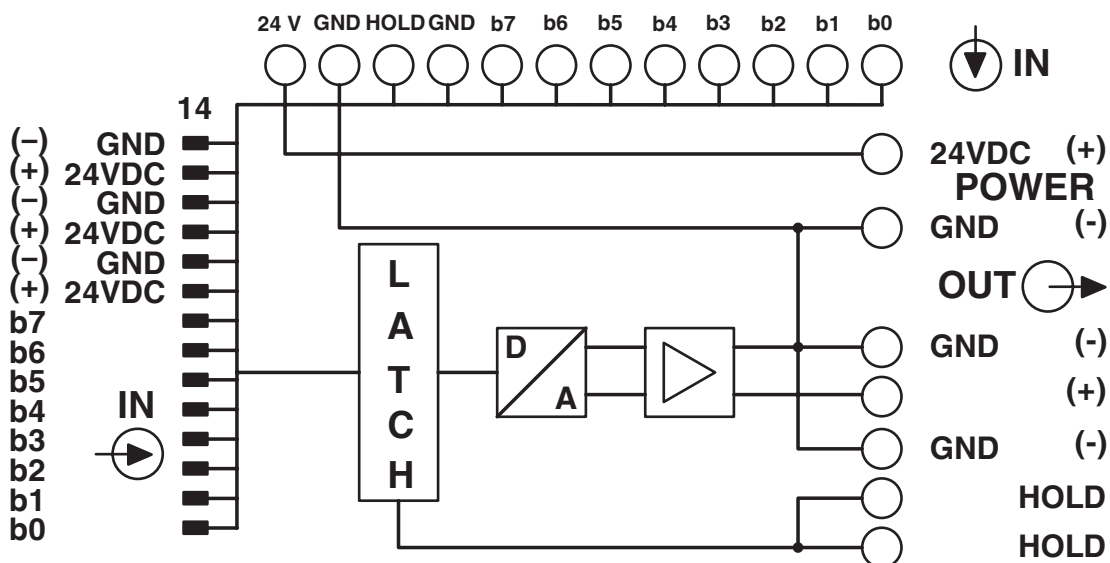
<https://www.phoenixcontact.com/us/products/2808190>

Drawings

Dimensional drawing



Circuit diagram



MCR-DAC 8-U-10-BUS - Converter



2808190

<https://www.phoenixcontact.com/us/products/2808190>

Environmental product compliance

China RoHS	Environmentally Friendly Use Period = 50 years For information on hazardous substances, refer to the manufacturer's declaration available under "Downloads"
------------	--

Phoenix Contact 2023 © - all rights reserved
<https://www.phoenixcontact.com>

Phoenix Contact USA
586 Fulling Mill Road
Middletown, PA 17057, United States
(+717) 944-1300
info@phoenixcon.com