

UM-D37M/16RSC-24DC/DO/C3/L IM - Active module

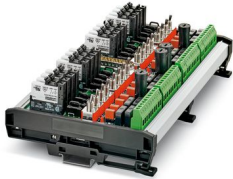


2906120

<https://www.phoenixcontact.com/us/products/2906120>

Please be informed that the data shown in this PDF document is generated from our online catalog. Please find the complete data in the user documentation. Our general terms of use for downloads are valid.

VARIOFACE 16-channel module intended for use with Honeywell® Experion C300 24 V digital IOTA, left-hand version, 3 A, 120 V, inter-marshalling



Your advantages

- UM-PRO housing
- DIN rail mounting, includes grounding foot
- Per channel pluggable 3 A fusing
- Per channel configuration for NO or NC contacts
- Per-channel selectable inter-marshalling or external-powered (via toggle switch)
- Designed to be mounted on the left side of the cabinet
- LED blown fuse indication

Commercial data

Item number	2906120
Packing unit	1 pc
Note	Made to order (non-returnable)
Sales key	NULL
Product key	CK21B3
GTIN	4055626078014
Weight per piece (including packing)	42.42 g
Weight per piece (excluding packing)	40.4 g
Customs tariff number	85369010
Country of origin	US

Technical data

Product properties

Product type	Interface module
No. of channels	16
Operating mode	100% operating factor
Mechanical service life	2x 10 ⁷ cycles
With components	yes

Insulation characteristics

Overvoltage category	II
Pollution degree	2

Electrical properties

No. of channels	16
-----------------	----

Supported controller HONEYWELL Experion PKS C300/C-Series

Suitable I/O card	TDOB01 (non-redundant)
	TDOB11 (redundant)
	TDOB51 (non-redundant)
	TDOB61 (redundant)

Input data

Nominal input voltage U_N	24 V DC
Input voltage range in reference to U_N	0.8 ... 1.1
Input voltage range	19.2 V DC ... 26.4 V DC
Typical input current at U_N	7 mA
Typical response time	5 ms
Typical release time	15 ms
Protective circuit	Freewheeling diode; Freewheeling diode

Output data

Switching

Contact switching type	1 changeover contact
Contact material	AgSnO
Maximum switching voltage	120 V AC/DC
Minimum switching voltage	12 V
Limiting continuous current	3 A (fuse limited)
Min. switching current	10 mA
Interrupting rating (ohmic load) max.	72 W (24 V DC)
	20 W (48 V DC)
	18 W (60 V DC)
	23 W (110 V DC)
	360 VA (120 V AC)

2906120

<https://www.phoenixcontact.com/us/products/2906120>

Error detection (line break / short-circuit)	no
--	----

Connection data

Controller level

Connection method	D-SUB connector
Number of connections	1
Number of positions	37

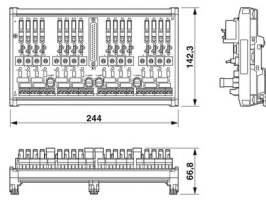
Field level

Connection method	Screw connection
Stripping length	8 mm
Screw thread	M3
Number of connections	32
Conductor cross section rigid	0.2 mm ² ... 4 mm ²
Conductor cross section flexible	0.2 mm ² ... 2.5 mm ²
Conductor cross section AWG	24 ... 12

Signaling

Status display present	Yes, if the fuse fails
------------------------	------------------------

Dimensions

Dimensional drawing	
Width	244 mm
Height	142.3 mm
Depth	66.8 mm

Environmental and real-life conditions

Ambient conditions

Degree of protection	IP20
Ambient temperature (operation)	-40 °C ... 70 °C
Ambient temperature (storage/transport)	-40 °C ... 75 °C
Altitude	< 2000 m
Permissible humidity (operation)	90 %
Permissible humidity (storage/transport)	90 %

Mounting

Mounting type	DIN rail mounting
Mounting position	any

2906120

<https://www.phoenixcontact.com/us/products/2906120>

Notes

General	Standard or halogen-free cables
General	For proper use, the specifications of the installation directive (see Downloads) must be observed. For applications or use with third-party products, the specifications, and the safety and warning instructions of the respective third-party manufacturer must also be met.

UM-D37M/16RSC-24DC/DO/C3/L IM - Active module

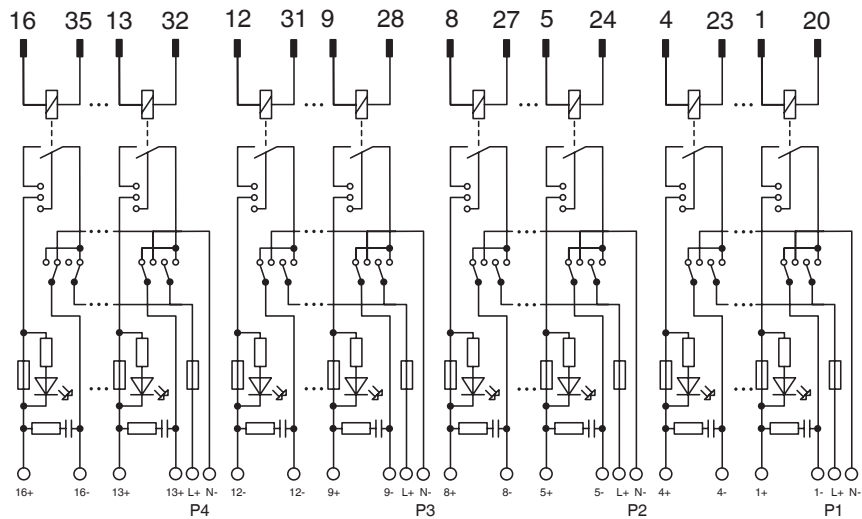


2906120

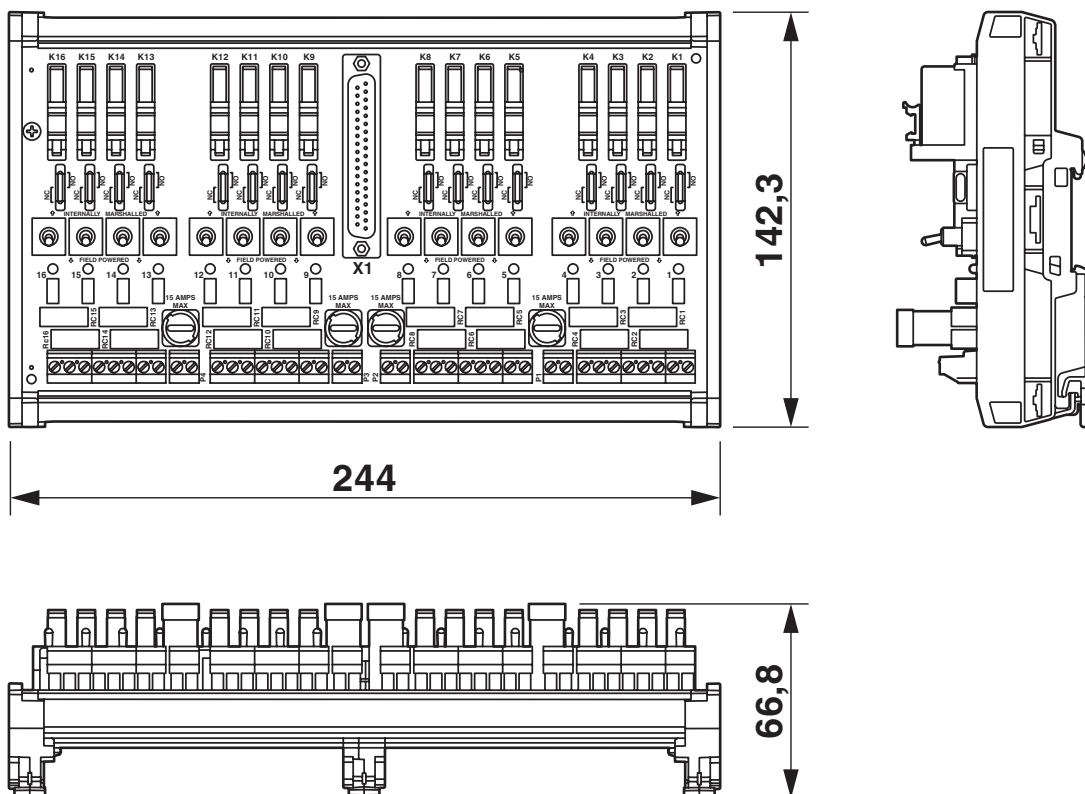
<https://www.phoenixcontact.com/us/products/2906120>

Drawings

Circuit diagram



Dimensional drawing



Dimensional drawing of right-hand version

2906120

<https://www.phoenixcontact.com/us/products/2906120>

Approvals

To download certificates, visit the product detail page: <https://www.phoenixcontact.com/us/products/2906120>



cUL Recognized
Approval ID: FILE E 238705



UL Recognized
Approval ID: FILE E 238705

cULus Recognized

2906120

<https://www.phoenixcontact.com/us/products/2906120>

Classifications

ECLASS

ECLASS-11.0	27141152
ECLASS-13.0	27141152
ECLASS-12.0	27141152

ETIM

ETIM 9.0	EC002780
----------	----------

UNSPSC

UNSPSC 21.0	39121400
-------------	----------

2906120

<https://www.phoenixcontact.com/us/products/2906120>

Environmental product compliance

REACH SVHC	Lead 7439-92-1
China RoHS	Environmentally Friendly Use Period = 50 years
	For information on hazardous substances, refer to the manufacturer's declaration available under "Downloads"

UM-D37M/16RSC-24DC/DO/C3/L IM - Active module



2906120

<https://www.phoenixcontact.com/us/products/2906120>

Mandatory accessories

FLKM-PA-D37/HW/DIO/C300 - Front adapter

2901423

<https://www.phoenixcontact.com/us/products/2901423>



VARIOFACE front adapter, for Honeywell C300, Series C I/O, maximum of 1x 16 channels can be connected (37-pos. D-SUB connector). Specifically for connecting digital, redundant I/O cards.

Accessories

CABLE-D37SUB/B/B/ 100/KONFEK/S - Cable

2305509

<https://www.phoenixcontact.com/us/products/2305509>



Assembled shielded round cable; connection 1: D-SUB socket strip (1x 37-position); connection 2: D-SUB socket strip (1x 37-position); cable length: 1 m

UM-D37M/16RSC-24DC/DO/C3/L IM - Active module



2906120

<https://www.phoenixcontact.com/us/products/2906120>

CABLE-D37SUB/B/B/ 200/KONFEK/S - Cable

2305512

<https://www.phoenixcontact.com/us/products/2305512>



Assembled shielded round cable; connection 1: D-SUB socket strip (1x 37-position); connection 2: D-SUB socket strip (1x 37-position); cable length: 2 m

CABLE-D37SUB/B/B/ 300/KONFEK/S - Cable

2305525

<https://www.phoenixcontact.com/us/products/2305525>



Assembled shielded round cable; connection 1: D-SUB socket strip (1x 37-position); connection 2: D-SUB socket strip (1x 37-position); cable length: 3 m

UM-D37M/16RSC-24DC/DO/C3/L IM - Active module



2906120

<https://www.phoenixcontact.com/us/products/2906120>

CABLE-D37SUB/B/B/ 400/KONFEK/S - Cable

2900759

<https://www.phoenixcontact.com/us/products/2900759>



Assembled shielded round cable; connection 1: D-SUB socket strip (1x 37-position); connection 2: D-SUB socket strip (1x 37-position); cable length: 4 m

CABLE-D37SUB/B/B/ 600/KONFEK/S - Cable

2900760

<https://www.phoenixcontact.com/us/products/2900760>



Assembled shielded round cable; connection 1: D-SUB socket strip (1x 37-position); connection 2: D-SUB socket strip (1x 37-position); cable length: 6 m

UM-D37M/16RSC-24DC/DO/C3/L IM - Active module



2906120

<https://www.phoenixcontact.com/us/products/2906120>

CABLE-D37SUB/B/B/ 800/KONFEK/S - Cable

2900761

<https://www.phoenixcontact.com/us/products/2900761>



Assembled shielded round cable; connection 1: D-SUB socket strip (1x 37-position); connection 2: D-SUB socket strip (1x 37-position); cable length: 8 m

CABLE-D37SUB/B/B/1000/KONFEK/S - Cable

2900762

<https://www.phoenixcontact.com/us/products/2900762>



Assembled shielded round cable; connection 1: D-SUB socket strip (1x 37-position); connection 2: D-SUB socket strip (1x 37-position); cable length: 10 m

UM-D37M/16RSC-24DC/DO/C3/L IM - Active module



2906120

<https://www.phoenixcontact.com/us/products/2906120>

CABLE-D37SUB/B/B/1500/KONFEK/S - Cable

2900763

<https://www.phoenixcontact.com/us/products/2900763>



Assembled shielded round cable; connection 1: D-SUB socket strip (1x 37-position); connection 2: D-SUB socket strip (1x 37-position); cable length: 15 m

CABLE-D37SUB/B/B/2000/KONFEK/S - Cable

2900764

<https://www.phoenixcontact.com/us/products/2900764>



Assembled shielded round cable; connection 1: D-SUB socket strip (1x 37-position); connection 2: D-SUB socket strip (1x 37-position); cable length: 20 m

UM-D37M/16RSC-24DC/DO/C3/L IM - Active module



2906120

<https://www.phoenixcontact.com/us/products/2906120>

CABLE-D37SUB/B/B/2500/KONFEK/S - Cable

2902074

<https://www.phoenixcontact.com/us/products/2902074>



Assembled shielded round cable; connection 1: D-SUB socket strip (1x 37-position); connection 2: D-SUB socket strip (1x 37-position); cable length: 25 m

CABLE-D37SUB/B/B/3000/KONFEK/S - Cable

2902075

<https://www.phoenixcontact.com/us/products/2902075>



Assembled shielded round cable; connection 1: D-SUB socket strip (1x 37-position); connection 2: D-SUB socket strip (1x 37-position); cable length: 30 m

UM-D37M/16RSC-24DC/DO/C3/L IM - Active module



2906120

<https://www.phoenixcontact.com/us/products/2906120>

CABLE-D37SUB/B/B/3500/KONFEK/S - Cable

2902076

<https://www.phoenixcontact.com/us/products/2902076>



Assembled shielded round cable; connection 1: D-SUB socket strip (1x 37-position); connection 2: D-SUB socket strip (1x 37-position); cable length: 35 m

CABLE-D37SUB/B/B/4000/KONFEK/S - Cable

2902077

<https://www.phoenixcontact.com/us/products/2902077>



Assembled shielded round cable; connection 1: D-SUB socket strip (1x 37-position); connection 2: D-SUB socket strip (1x 37-position); cable length: 40 m

UM-D37M/16RSC-24DC/DO/C3/L IM - Active module



2906120

<https://www.phoenixcontact.com/us/products/2906120>

CABLE-D37SUB/B/B/HF/S/ 1,0M - Cable

2908516

<https://www.phoenixcontact.com/us/products/2908516>



Assembled, shielded, halogen-free round cable; connection 1: D-SUB socket strip (1x 37-position); connection 2: D-SUB socket strip (1x 37-position); cable length: 1 m

CABLE-D37SUB/B/B/HF/S/ 2,0M - Cable

2908517

<https://www.phoenixcontact.com/us/products/2908517>



Assembled, shielded, halogen-free round cable; connection 1: D-SUB socket strip (1x 37-position); connection 2: D-SUB socket strip (1x 37-position); cable length: 2 m

UM-D37M/16RSC-24DC/DO/C3/L IM - Active module



2906120

<https://www.phoenixcontact.com/us/products/2906120>

CABLE-D37SUB/B/B/HF/S/ 3,0M - Cable

2908518

<https://www.phoenixcontact.com/us/products/2908518>



Assembled, shielded, halogen-free round cable; connection 1: D-SUB socket strip (1x 37-position); connection 2: D-SUB socket strip (1x 37-position); cable length: 3 m

CABLE-D37SUB/B/B/HF/S/10,0M - Cable

2908522

<https://www.phoenixcontact.com/us/products/2908522>



Assembled, shielded, halogen-free round cable; connection 1: D-SUB socket strip (1x 37-position); connection 2: D-SUB socket strip (1x 37-position); cable length: 10 m

UM-D37M/16RSC-24DC/DO/C3/L IM - Active module



2906120

<https://www.phoenixcontact.com/us/products/2906120>

CABLE-D37SUB/B/B/HF/S/15,0M - Cable

2908523

<https://www.phoenixcontact.com/us/products/2908523>



Assembled, shielded, halogen-free round cable; connection 1: D-SUB socket strip (1x 37-position); connection 2: D-SUB socket strip (1x 37-position); cable length: 15 m

CABLE-D37SUB/B/B/HF/S/20,0M - Cable

2908525

<https://www.phoenixcontact.com/us/products/2908525>



Assembled, shielded, halogen-free round cable; connection 1: D-SUB socket strip (1x 37-position); connection 2: D-SUB socket strip (1x 37-position); cable length: 20 m

UM-D37M/16RSC-24DC/DO/C3/L IM - Active module



2906120

<https://www.phoenixcontact.com/us/products/2906120>

CABLE-D37SUB/B/B/HF/S/25,0M - Cable

2908526

<https://www.phoenixcontact.com/us/products/2908526>



Assembled, shielded, halogen-free round cable; connection 1: D-SUB socket strip (1x 37-position); connection 2: D-SUB socket strip (1x 37-position); cable length: 25 m

CABLE-D37SUB-B-B-HF-S/... - Cable

1075563

<https://www.phoenixcontact.com/us/products/1075563>



Assembled, shielded, halogen-free round cable; connection 1: D-SUB socket strip (1x 37-position); connection 2: D-SUB socket strip (1x 37-position); cable length: variable

UM-D37M/16RSC-24DC/DO/C3/L IM - Active module



2906120

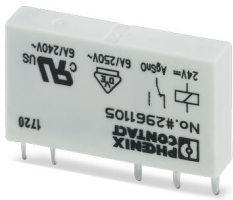
<https://www.phoenixcontact.com/us/products/2906120>

REL-MR- 24DC/21 - Single relay

2961105

<https://www.phoenixcontact.com/us/products/2961105>

Plug-in miniature power relay, with power contact, 1 changeover contact, input voltage 24 V DC



FUSE/TE5/3.15A/F-10PCS - Fuse set

2906442

<https://www.phoenixcontact.com/us/products/2906442>

Plug-in fuse (TE5[®]); nominal current: 3.15 A; tripping behavior: fast-blow (F)



Phoenix Contact 2023 © - all rights reserved
<https://www.phoenixcontact.com>

Phoenix Contact USA
586 Fulling Mill Road
Middletown, PA 17057, United States
(+717) 944-1300
info@phoenixcon.com