

SACC-M12MS-4QO-0,75-VA - Connector



1440779

<https://www.phoenixcontact.com/us/products/1440779>

Please be informed that the data shown in this PDF document is generated from our online catalog. Please find the complete data in the user documentation. Our general terms of use for downloads are valid.



Connector, Universal, 4-position, Plug straight M12, coding: A, Insulation displacement connection, knurl material: Stainless steel 1.4404, external cable diameter 4 mm ... 8 mm

Your advantages

- Safe use in the field, thanks to a high degree of protection
- Insulation displacement connection: innovative and time-saving assembly without stripping the single wire

Commercial data

Item number	1440779
Packing unit	1 pc
Minimum order quantity	1 pc
Sales key	BF31
Product key	AF2CCA
Catalog page	Page 20 (C-2-2019)
GTIN	4046356517010
Weight per piece (including packing)	16 g
Weight per piece (excluding packing)	15.6 g
Customs tariff number	85366990
Country of origin	DE

SACC-M12MS-4QO-0,75-VA - Connector



1440779

<https://www.phoenixcontact.com/us/products/1440779>

Technical data

Notes

Assembly note	NOTE: Observe the permissible bending radii when routing cables, since the degree of protection may be at risk if the bending forces are too high. Reduce mechanical loads upstream of the connector, e.g., by using cable ties.
---------------	---

Mounting

Assembly note	AWG 18 wire cross section upon request
---------------	--

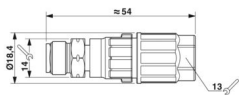
Product properties

Product type	Circular connector (cable-side)
Sensor type	Universal
Number of positions	4
No. of cable outlets	1
Shielded	no
Coding	A

Insulation characteristics

Overvoltage category	III
Degree of pollution	3

Dimensions

Dimensional drawing	
Length	54 mm
Wrench size, union nut	15 mm
Wrench size, counter nut	15 mm

External dimensions

Outside diameter	4 mm ... 8 mm
------------------	---------------

Housing

Diameter housing	18.4 mm
------------------	---------

Material specifications

Flammability rating according to UL 94	V0
Seal material	Neoprene
Material of grip body	PA 6
Contact material	CuSn

SACC-M12MS-4QO-0,75-VA - Connector



1440779

<https://www.phoenixcontact.com/us/products/1440779>

Contact surface material	Ni/Au
Contact carrier material	TPU
Material for screw connection	Stainless steel 1.4404
Wire insulation material	PVC / PE / PP / rubber

Connection data

Conductor connection

Connection method	Insulation displacement connection
Connection cross section	0.34 mm ² ... 0.75 mm ²
Connection cross section AWG	22 ... 18
Tightening torque	0.4 Nm (M12 knurl) 1.5 Nm (Pressure nut)

Pin assignment

Contact Color (signal designation) Contact (optional)	1 = BN
	2 = WH
	3 = BU
	4 = BK

Electrical properties

Rated surge voltage	4 kV
Contact resistance	≤ 5 mΩ
Insulation resistance	≥ 100 MΩ
Nominal voltage U _N	250 V AC 250 V DC
Nominal current I _N	4 A

Mechanical properties

Mechanical data

Insertion/withdrawal cycles	≥ 100
-----------------------------	-------

Connector

Connection 1

Head design	Plug
Head cable outlet	straight
Head thread type	M12
Coding	A

Cable/line

Signal type/category	Universal
External cable diameter	4 mm ... 8 mm

Environmental and real-life conditions

SACC-M12MS-4QO-0,75-VA - Connector



1440779

<https://www.phoenixcontact.com/us/products/1440779>

Ambient conditions

Degree of protection	IP65
	IP67
Ambient temperature (operation)	-25 °C ... 80 °C (Plug / socket)
Ambient temperature (assembly)	-5 °C ... 50 °C (During assembly)

Standards and regulations

M12

Standard designation	M12 connector
Standards/specifications	according to IEC 61076-2-101

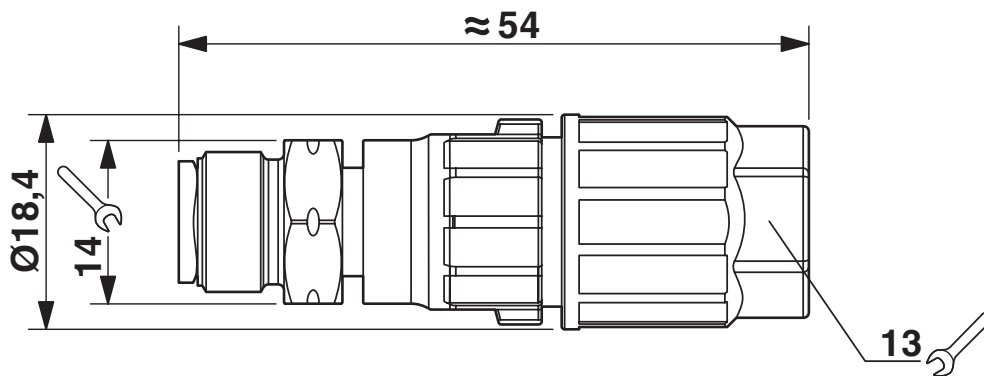
SACC-M12MS-4QO-0,75-VA - Connector

1440779

<https://www.phoenixcontact.com/us/products/1440779>

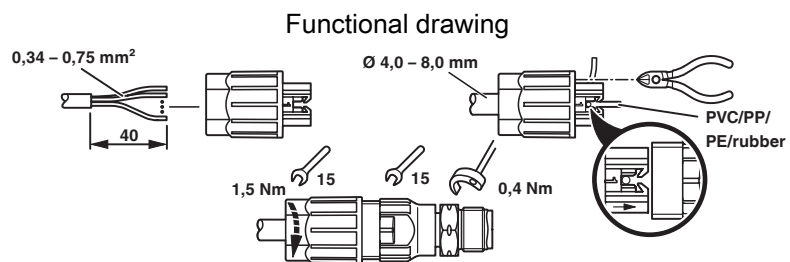
Drawings

Dimensional drawing



M12 plug, straight.

QUICKON connection: 0.34 mm² ... 0.75 mm²



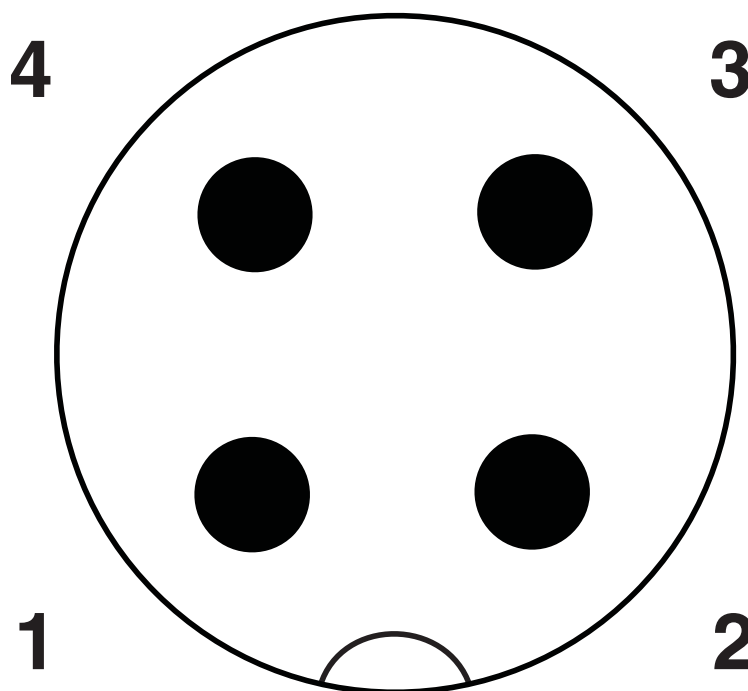
SACC-M12MS-4QO-0,75-VA - Connector

1440779

<https://www.phoenixcontact.com/us/products/1440779>



Schematic diagram



Pin assignment M12 plug, 4-pos., A-coded, view plug side

SACC-M12MS-4QO-0,75-VA - Connector



1440779

<https://www.phoenixcontact.com/us/products/1440779>

Approvals

🔗 To download certificates, visit the product detail page: <https://www.phoenixcontact.com/us/products/1440779>

DNV

Approval ID: TAE00002K4

SACC-M12MS-4QO-0,75-VA - Connector



1440779

<https://www.phoenixcontact.com/us/products/1440779>

Classifications

ECLASS

ECLASS-12.0	27440116
ECLASS-13.0	27440116

ETIM

ETIM 9.0	EC002635
----------	----------

UNSPSC

UNSPSC 21.0	39121400
-------------	----------

SACC-M12MS-4QO-0,75-VA - Connector



1440779

<https://www.phoenixcontact.com/us/products/1440779>

Environmental product compliance

EU RoHS

Fulfills EU RoHS substance requirements	Yes, No exemptions
---	--------------------

China RoHS

Environment friendly use period (EFUP)	EFUP-E
	No hazardous substances above the limits

EU REACH SVHC

REACH candidate substance (CAS No.)	No substance above 0.1 wt%
-------------------------------------	----------------------------

EF3.0 Climate Change

CO2e kg	0.42 kg CO2e
---------	--------------

Phoenix Contact 2025 © - all rights reserved
<https://www.phoenixcontact.com>

Phoenix Contact USA
586 Fulling Mill Road
Middletown, PA 17057, United States
(+717) 944-1300
info@phoenixcon.com