

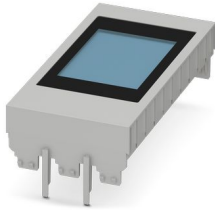
ME-IO 56,4 C 10U D2,4-TRG 7035-VPE1 - Upper housing part with touch display



1225275

<https://www.phoenixcontact.com/us/products/1225275>

Please be informed that the data shown in this PDF document is generated from our online catalog. Please find the complete data in the user documentation. Our general terms of use for downloads are valid.



DIN rail housing, 10U upper part, integrated 2.4" resistive touch display, interface: 4-wire SPI half duplex, Housing cover, width: 56.88 mm, height: 109.8 mm, depth: 29.5 mm, color: light grey (7035)

Your advantages

- Housing system for visualization and operation in the control cabinet
- Coordinated housings with pre-installed touch displays
- Time-saving assembly of ready-to-use modules
- Can be machined for application-specific connection technology

Commercial data

Item number	1225275
Packing unit	1 pc
Minimum order quantity	1 pc
Sales key	AC15
Product key	ACHEBI
GTIN	4063151316686
Weight per piece (including packing)	63.3 g
Weight per piece (excluding packing)	43.98 g
Customs tariff number	85480090
Country of origin	CN

ME-IO 56,4 C 10U D2,4-TRG 7035-VPE1 - Upper housing part with touch display



1225275

<https://www.phoenixcontact.com/us/products/1225275>

Set consists of

DCT T 2,4 QVGA S RTOUCH - Display

1132710

<https://www.phoenixcontact.com/us/products/1132710>

Resistive touch display, 2.4", resolution: 320 x 240 pixels, interface: SPI, contrast ratio: 500:1, aspect ratio: 3:4, interface: "4-wire SPI half duplex, Glue and Play solution", suitable for polyamide and polycarbonate



ME-IO 56,4 C 10U D2,4-TRG 7035-VPE1 - Upper housing part with touch display



1225275

<https://www.phoenixcontact.com/us/products/1225275>

Technical data

Notes

General	Refer to the data sheet for the range in the download area.
---------	---

Product properties

Product type	Upper housing part
Product family	ME-IO 56,4
Type	10U upper part, integrated 2.4" resistive touch display
Housing type	DIN rail housing
Ventilation openings present	no
Housing series	ME-IO

Display

Display type	Color display TFT
Display type	resistive
Diagonal	(Display) 2.4 in. / 6.9 cm (Display)
Display formats	4:3
Display lighting type	LED, white
Controller	ST7789V

Interfaces

Interface	4-wire SPI half duplex
-----------	------------------------

Dimensions

Width	56.88 mm
Height	109.8 mm
Depth	29.5 mm

PCB design

PCB thickness	1.4 mm ... 1.8 mm
---------------	-------------------

Material specifications

Color	light grey (7035)
Flammability rating according to UL 94	V0
CTI according to IEC 60112	600
Surface characteristics	untreated
Housing material	Polyamide

Environmental and real-life conditions

Vibration test

Specification	IEC 60068-2-6:2007-12
---------------	-----------------------

ME-IO 56,4 C 10U D2,4-TRG 7035-VPE1 - Upper housing part with touch display



1225275

<https://www.phoenixcontact.com/us/products/1225275>

Result	Test passed
Frequency	10 - 150 - 10 Hz
Sweep speed	1 octave/min
Amplitude	0.15 mm (10 Hz ... 58.1 Hz)
Acceleration	20 m/s ²
Test duration per axis	2.5 h
Test directions	X-, Y- and Z-axis

Shocks

Specification	IEC 60068-2-27:2008-02
Result	Test passed
Acceleration	150 m/s ²
Shock duration	11 ms
Number of shocks per direction	3
Test directions	X-, Y- and Z-axis (pos. and neg.)

Test for substances that would hinder coating with paint or varnish

Specification	VDMA 24364:2018-05
Result	Test passed

Ambient conditions

Max. IP code to attain	IP20
Ambient temperature (operation)	-20 °C ... 70 °C (depending on power dissipation)
Ambient temperature (storage/transport)	-20 °C ... 55 °C
Ambient temperature (assembly)	-5 °C ... 70 °C
Relative humidity (storage/transport)	80 %

PCB data

Thickness of the PCB	1.4 mm ... 1.8 mm
----------------------	-------------------

Mounting

Mounting type	Snap in
Mounting position	Vertical (horizontal DIN rail)

Packaging specifications

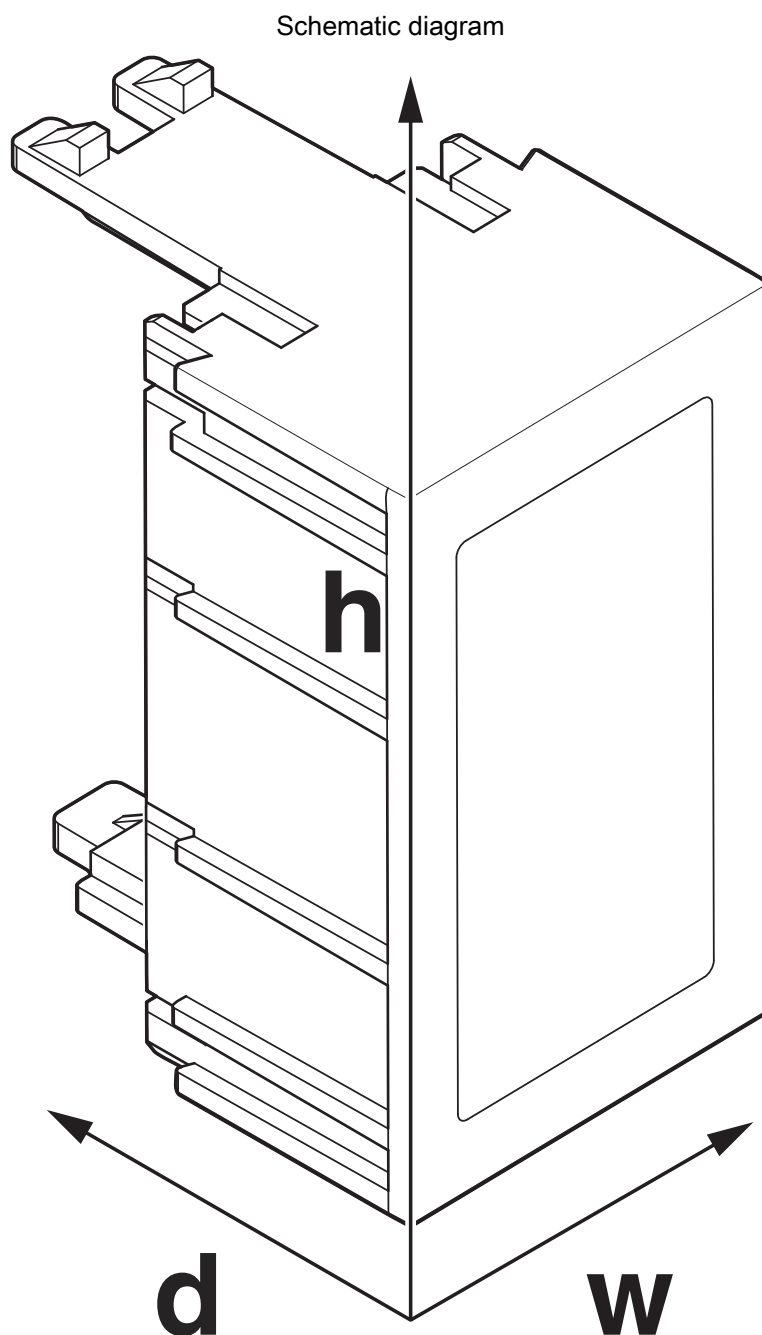
Type of packaging	packed in cardboard
Outer packaging type	Carton

ME-IO 56,4 C 10U D2,4-TRG 7035-VPE1 - Upper housing part with touch display

1225275

<https://www.phoenixcontact.com/us/products/1225275>

Drawings



Schematic figure for illustrating the item dimensions. The figure is not of the desired product. For further details, refer to the product drawings in the "Downloads" tab.

ME-IO 56,4 C 10U D2,4-TRG 7035-VPE1 - Upper housing part with touch display



1225275

<https://www.phoenixcontact.com/us/products/1225275>

Classifications

ECLASS

ECLASS-11.0	27182702
ECLASS-13.0	27190605

ETIM

ETIM 9.0	EC001031
----------	----------

UNSPSC

UNSPSC 21.0	31261500
-------------	----------

ME-IO 56,4 C 10U D2,4-TRG 7035-VPE1 - Upper housing part with touch display



1225275

<https://www.phoenixcontact.com/us/products/1225275>

Environmental product compliance

China RoHS	Environmentally friendly use period: unlimited = EFUP-e
	No hazardous substances above threshold values

Phoenix Contact 2023 © - all rights reserved
<https://www.phoenixcontact.com>

Phoenix Contact USA
586 Fulling Mill Road
Middletown, PA 17057, United States
(+717) 944-1300
info@phoenixcon.com