

# ME 22,5 OT-MSTBO SET - Upper part of housing



2907444

<https://www.phoenixcontact.com/us/products/2907444>

Please be informed that the data shown in this PDF document is generated from our online catalog. Please find the complete data in the user documentation. Our general terms of use for downloads are valid.

DIN rail housing, Set comprised of upper housing part, 4 PCB headers (4-pos.), and 4 PCB terminal blocks with screw connection (4-pos.), width: 22.6 mm, height: 99 mm, depth: 45.85 mm, color: green (6021)



## Your advantages

- Tool-free mounting
- Available in overall widths from 12.5 mm to 90 mm, modular extension possible
- Flammability rating V0 in accordance with UL 94
- Variety of connection technology
- Can be mounted on the DIN rail
- With integrated or DIN-rail-mountable bus connector as an option

## Commercial data

Item number	2907444
Packing unit	1 pc
Minimum order quantity	1 pc
Sales key	AC08
Product key	ACHAAD
Catalog page	Page 671 (C-1-2013)
GTIN	4017918131531
Weight per piece (including packing)	53.7 g
Weight per piece (excluding packing)	46.8 g
Customs tariff number	85366990
Country of origin	DE

# ME 22,5 OT-MSTBO SET - Upper part of housing

2907444

<https://www.phoenixcontact.com/us/products/2907444>

## Set consists of

### ME 22,5 OT-MSTBO GN - Upper part of housing

2907169

<https://www.phoenixcontact.com/us/products/2907169>

DIN rail housing, Upper housing part for connectors with header, width: 22.6 mm, height: 99 mm, depth: 45.85 mm, color: green (6021)



---

### MSTBO 2,5/ 4-G1L - PCB header

1861060

<https://www.phoenixcontact.com/us/products/1861060>

PCB headers, nominal cross section: 2.5 mm<sup>2</sup>, color: green, nominal current: 12 A, rated voltage (III/2): 320 V, contact surface: Tin, contact connection type: Pin, number of potentials: 4, number of rows: 1, number of positions: 4, number of connections: 4, product range: MSTBO 2,5/..-G1L, pitch: 5 mm, mounting: Wave soldering, pin layout: Linear pinning, solder pin [P]: 3.5 mm, number of solder pins per potential: 1, plug-in system: COMBICON MSTB 2,5, locking: without, type of packaging: packed in cardboard, Product with pin output on left side



# ME 22,5 OT-MSTBO SET - Upper part of housing

2907444

<https://www.phoenixcontact.com/us/products/2907444>

## MSTBO 2,5/ 4-G1R - PCB header

1861073

<https://www.phoenixcontact.com/us/products/1861073>



PCB headers, nominal cross section: 2.5 mm<sup>2</sup>, color: green, nominal current: 12 A, rated voltage (III/2): 320 V, contact surface: Tin, contact connection type: Pin, number of potentials: 4, number of rows: 1, number of positions: 4, number of connections: 4, product range: MSTBO 2,5/..-G1R, pitch: 5 mm, connection method: pluggable, mounting: Wave soldering, pin layout: Linear pinning, solder pin [P]: 3.5 mm, number of solder pins per potential: 1, plug-in system: COMBICON MSTB 2,5, locking: without, type of packaging: packed in cardboard, Product with pin output on right side

## MSTBT 2,5/ 4-ST - PCB connector

1779851

<https://www.phoenixcontact.com/us/products/1779851>



PCB connector, nominal cross section: 2.5 mm<sup>2</sup>, color: green, nominal current: 12 A, rated voltage (III/2): 320 V, contact connection type: Socket, number of potentials: 4, number of rows: 1, number of positions: 4, number of connections: 4, product range: MSTBT 2,5/..-ST, pitch: 5 mm, connection method: Screw connection with tension sleeve, screw head form: L Slotted, conductor/PCB connection direction: 0 °, locking clip: - Locking clip, plug-in system: COMBICON MSTB 2,5, locking: without, mounting: without, type of packaging: packed in cardboard

# ME 22,5 OT-MSTBO SET - Upper part of housing

2907444

<https://www.phoenixcontact.com/us/products/2907444>

## Technical data

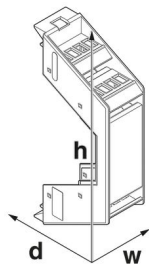
### Notes

General	Refer to the data sheet for the range in the download area.
---------	---

### Product properties

Product type	Upper housing part
Product family	ME...OT-MSTBO SET
Max. number of positions	16 (pitch: 5 mm) ) )
Number of rows	2
Type	Set comprised of upper housing part, 4 PCB headers (4-pos.), and 4 PCB terminal blocks with screw connection (4-pos.)
Housing type	DIN rail housing
Ventilation openings present	no
Housing series	ME

### Dimensions

Dimensional drawing	
Width	22.6 mm
Height	99 mm
Depth	45.85 mm
Depth from base support surface	38.5 mm

### PCB design

PCB thickness	1.4 mm ... 1.8 mm
---------------	-------------------

### Material specifications

Color	green (6021)
Flammability rating according to UL 94	V0
CTI according to IEC 60112	600
Surface characteristics	untreated
Housing material	Polyamide

### Environmental and real-life conditions

#### Vibration test

# ME 22,5 OT-MSTBO SET - Upper part of housing



2907444

<https://www.phoenixcontact.com/us/products/2907444>

Specification	IEC 60068-2-6:2007-12
Frequency	10 - 150 - 10 Hz
Sweep speed	1 octave/min
Amplitude	0.15 mm (10 Hz ... 58.1 Hz)
Acceleration	2g (58.1 Hz ... 150 Hz)
Test duration per axis	2.5 h
Test directions	X-, Y- and Z-axis

## Glow-wire test

Specification	IEC 60695-2-11:2014-02
Temperature	850 °C
Time of exposure	30 s

## Thermal stability / ball thrust test

Specification	IEC 60695-10-2:2014-02
Temperature	125 °C
Test duration	1 h
Force	20 N

## Mechanical strength / tumbling barrel

Specification	IEC 60998-1:2002-12
Height of fall	50 cm
Frequency	10

## Shocks

Specification	IEC 60068-2-27:2008-02
Pulse shape	Half-sine
Acceleration	15g
Shock duration	11 ms
Number of shocks per direction	3
Test directions	X-, Y- and Z-axis (pos. and neg.)

## Degree of protection (IP code)

Specification	IEC 60529:1989-11 + AMD 1:1999-11 + AMD 2:2013-08
---------------	---

## Ambient conditions

Max. IP code to attain	IP20
Ambient temperature (operation)	-40 °C ... 105 °C (depending on power dissipation)
Ambient temperature (storage/transport)	-40 °C ... 55 °C
Ambient temperature (assembly)	-5 °C ... 100 °C
Relative humidity (storage/transport)	80 %

## PCB data

Number of PCB holders	1
Type of PCB mount	Slot
Thickness of the PCB	1.4 mm ... 1.8 mm

# ME 22,5 OT-MSTBO SET - Upper part of housing



2907444

<https://www.phoenixcontact.com/us/products/2907444>

## Mounting

Mounting type	Latching with lower housing part
Mounting position	Vertical (horizontal DIN rail)

## Packaging specifications

Type of packaging	packed in cardboard
Outer packaging type	Carton

# ME 22,5 OT-MSTBO SET - Upper part of housing

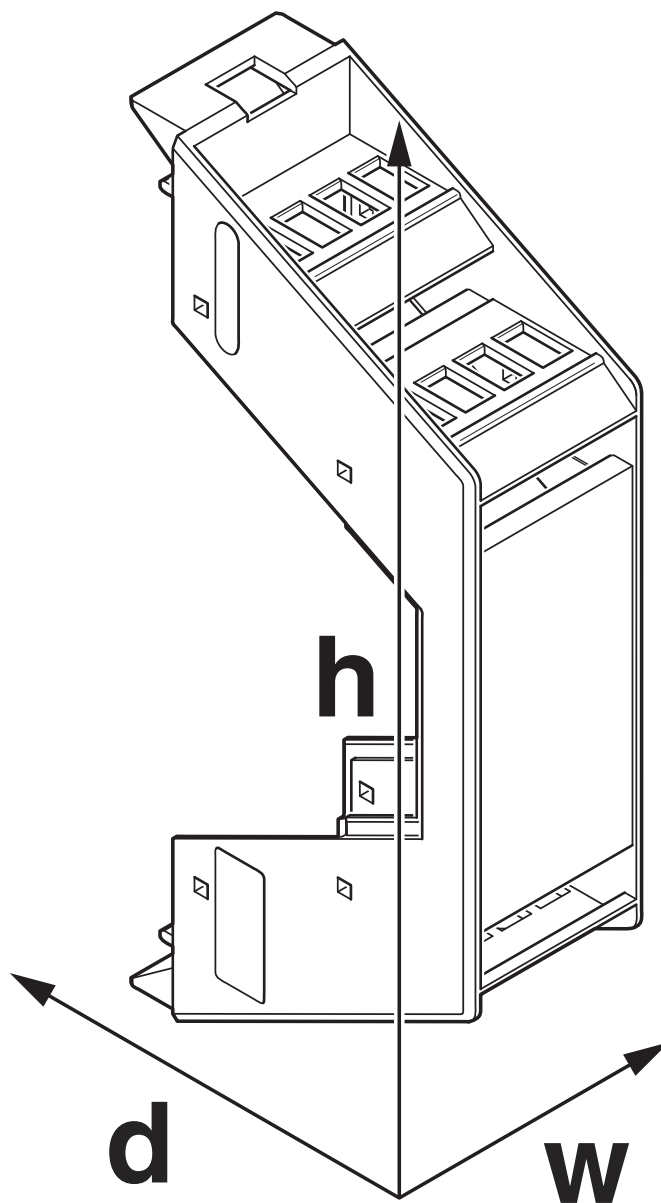
2907444

<https://www.phoenixcontact.com/us/products/2907444>



## Drawings

Dimensional drawing



Schematic figure for illustrating the item dimensions. The figure is not of the desired product. For further details, refer to the product drawings in the "Downloads" tab.

# ME 22,5 OT-MSTBO SET - Upper part of housing





2907444

<https://www.phoenixcontact.com/us/products/2907444>

## Approvals

To download certificates, visit the product detail page: <https://www.phoenixcontact.com/us/products/2907444>

 <b>cUL Recognized</b> Approval ID: FILE E 60425				
	Nominal voltage $U_N$	Nominal current $I_N$	Cross section AWG	Cross section $\text{mm}^2$
Use group B	250 V	12 A	30 - 12	-
Use group D	300 V	10 A	30 - 12	-

 <b>UL Recognized</b> Approval ID: FILE E 60425				
	Nominal voltage $U_N$	Nominal current $I_N$	Cross section AWG	Cross section $\text{mm}^2$
Use group B	250 V	12 A	30 - 12	-
Use group D	300 V	10 A	30 - 12	-

<b>cULus Recognized</b>				
-------------------------	--	--	--	--



# ME 22,5 OT-MSTBO SET - Upper part of housing



2907444

<https://www.phoenixcontact.com/us/products/2907444>

## Classifications

### ECLASS

ECLASS-11.0	27182702
ECLASS-13.0	27190401

### ETIM

ETIM 9.0	EC001031
----------	----------

### UNSPSC

UNSPSC 21.0	31261500
-------------	----------

# ME 22,5 OT-MSTBO SET - Upper part of housing



2907444

<https://www.phoenixcontact.com/us/products/2907444>

## Environmental product compliance

REACH SVHC	Lead 7439-92-1
China RoHS	Environmentally Friendly Use Period = 50 years
	For information on hazardous substances, refer to the manufacturer's declaration available under "Downloads"

# ME 22,5 OT-MSTBO SET - Upper part of housing

2907444

<https://www.phoenixcontact.com/us/products/2907444>



## Mandatory accessories

### ME 22,5 UT GN - Mounting base housing

2907130

<https://www.phoenixcontact.com/us/products/2907130>



DIN rail housing, Lower housing part with metal foot catch, tall design, with vents, width: 22.6 mm, height: 99 mm, depth: 107.3 mm, color: green (6021), cross connection: without bus connector, number of positions cross connector: not relevant

---

### ME 22,5 UT/FE GN - Mounting base housing

2907114

<https://www.phoenixcontact.com/us/products/2907114>



DIN rail housing, Lower housing part with metal foot catch, with FE contact, tall design, with vents, width: 22.6 mm, height: 99 mm, depth: 107.3 mm, color: green (6021), cross connection: without bus connector, number of positions cross connector: not relevant

# ME 22,5 OT-MSTBO SET - Upper part of housing

2907444

<https://www.phoenixcontact.com/us/products/2907444>

## ME 22,5 UT/FE BUS/ 5+2 GN - Mounting base housing

2854209

<https://www.phoenixcontact.com/us/products/2854209>



DIN rail housing, Lower housing part with metal foot catch, with FE contact, tall design, with vents, width: 22.6 mm, height: 99 mm, depth: 107.3 mm, color: green (6021), cross connection: integrated bus connector, number of positions cross connector: 5+2, Bus connector: 5 parallel contacts, 2 serial contacts

---

## ME 22,5 UT/FE BUS/10+2 GN - Mounting base housing

2854212

<https://www.phoenixcontact.com/us/products/2854212>



DIN rail housing, Lower housing part with metal foot catch, with FE contact, tall design, with vents, width: 22.6 mm, height: 99 mm, depth: 107.3 mm, color: green (6021), cross connection: integrated bus connector, number of positions cross connector: 10+2, Bus connector: 10 parallel contacts, 2 serial contacts

# ME 22,5 OT-MSTBO SET - Upper part of housing

2907444

<https://www.phoenixcontact.com/us/products/2907444>

## ME 22,5 UT/FE BUS/ 5 GN - Mounting base housing

2908744

<https://www.phoenixcontact.com/us/products/2908744>



DIN rail housing, Lower housing part with metal foot catch, with FE contact, tall design, with vents, width: 22.6 mm, height: 99 mm, depth: 107.3 mm, color: green, (6021), cross connection: integrated bus connector, number of positions cross connector: 5, Bus connector: 5 parallel contacts

---

## ME 22,5 UT TBUS GN - Mounting base housing

2707385

<https://www.phoenixcontact.com/us/products/2707385>



DIN rail housing, Lower housing part with metal foot catch, tall design, with vents, width: 22.6 mm, height: 99 mm, depth: 107.3 mm, color: green (6021), cross connection: DIN rail connector (optional), number of positions cross connector: 5

# ME 22,5 OT-MSTBO SET - Upper part of housing

2907444

<https://www.phoenixcontact.com/us/products/2907444>

## ME 22,5 UT/FE BUS/10 GN - Mounting base housing

2908755

<https://www.phoenixcontact.com/us/products/2908755>



DIN rail housing, Lower housing part with metal foot catch, with FE contact, tall design, with vents, width: 22.6 mm, height: 99 mm, depth: 107.3 mm, color: green, (6021), cross connection: integrated bus connector, number of positions cross connector: 10, Bus connector: 10 parallel contacts

---

## ME 22,5 UT BUS/10+2 GN - Mounting base housing

2915232

<https://www.phoenixcontact.com/us/products/2915232>



DIN rail housing, Lower housing part with metal foot catch, tall design, with vents, width: 22.6 mm, height: 99 mm, depth: 107.3 mm, color: green (6021), cross connection: integrated bus connector, number of positions cross connector: 10+2, Bus connector: 10 parallel contacts, 2 serial contacts

## ME 22,5 OT-MSTBO SET - Upper part of housing

2907444

<https://www.phoenixcontact.com/us/products/2907444>



### ME 22,5 UT BUS/ 5 GN - Mounting base housing

2713418

<https://www.phoenixcontact.com/us/products/2713418>



DIN rail housing, Lower housing part with metal foot catch, tall design, with vents, width: 22.6 mm, height: 99 mm, depth: 107.3 mm, color: green (6021), cross connection: integrated bus connector, number of positions cross connector: 5, Bus connector: 5 parallel contacts

---

### ME 22,5 UTG/FE BUS/10 GN - Mounting base housing

2853394

<https://www.phoenixcontact.com/us/products/2853394>



DIN rail housing, Lower housing part with metal foot catch, with FE contact, tall design, without vents, width: 22.6 mm, height: 99 mm, depth: 107.3 mm, color: green (6021), cross connection: integrated bus connector, number of positions cross connector: 10, Bus connector: 10 parallel contacts

## ME 22,5 OT-MSTBO SET - Upper part of housing

2907444

<https://www.phoenixcontact.com/us/products/2907444>



## ME 22,5 UTG GN - Mounting base housing

2907127

<https://www.phoenixcontact.com/us/products/2907127>



DIN rail housing, Lower housing part with metal foot catch, tall design, without vents, width: 22.6 mm, height: 99 mm, depth: 107.3 mm, color: green (6021), cross connection: without bus connector, number of positions cross connector: not relevant

---

## ME 22,5 UTG/FE GN - Mounting base housing

2907101

<https://www.phoenixcontact.com/us/products/2907101>



DIN rail housing, Lower housing part with metal foot catch, with FE contact, tall design, without vents, width: 22.6 mm, height: 99 mm, depth: 107.3 mm, color: green (6021), cross connection: without bus connector, number of positions cross connector: not relevant



## ME 22,5 OT-MSTBO SET - Upper part of housing

2907444

<https://www.phoenixcontact.com/us/products/2907444>



## ME 22,5 UTG TBUS GN - Mounting base housing

2707408

<https://www.phoenixcontact.com/us/products/2707408>



DIN rail housing, Lower housing part with metal foot catch, tall design, without vents, width: 22.6 mm, height: 99 mm, depth: 107.3 mm, color: green (6021), cross connection: DIN rail connector (optional), number of positions cross connector: 5

---

## ME 22,5 UTG/FE TBUS GN - Mounting base housing

2200044

<https://www.phoenixcontact.com/us/products/2200044>



DIN rail housing, Lower housing part with metal foot catch, with FE contact, tall design, without vents, width: 22.6 mm, height: 99 mm, depth: 107.3 mm, color: green (6021), cross connection: DIN rail connector (optional), number of positions cross connector: 5

# ME 22,5 OT-MSTBO SET - Upper part of housing

2907444

<https://www.phoenixcontact.com/us/products/2907444>



## ME 22,5 UTG/FE BUS/10+2 GN - Mounting base housing

2279499

<https://www.phoenixcontact.com/us/products/2279499>



DIN rail housing, Lower housing part with metal foot catch, with FE contact, tall design, without vents, width: 22.6 mm, height: 99 mm, depth: 107.3 mm, color: green (6021), cross connection: integrated bus connector, number of positions cross connector: 10+2, Bus connector: 10 parallel contacts, 2 serial contacts

---

## Accessories

### ME B-22,5 MSTBO GN - Filler plug

2907156

<https://www.phoenixcontact.com/us/products/2907156>



DIN rail housing, Filler plug for unoccupied terminal points (MSTBO), width: 20 mm, height: 19.05 mm, depth: 12.3 mm, color: green (6021)

# ME 22,5 OT-MSTBO SET - Upper part of housing



2907444

<https://www.phoenixcontact.com/us/products/2907444>

## HS LC-H-D3/ R1XC1 - Fiber optic

2202313

<https://www.phoenixcontact.com/us/products/2202313>

Multiple light guides, passive, rigid, can be used for the ME, ME-MAX, ME-IO, ME PLC, and EH housing ranges (housing must be processed)



---

## HS LC-H-5X2/ R1XC1 - Fiber optic

2202314

<https://www.phoenixcontact.com/us/products/2202314>

Single light guide, passive, rigid, can be used for the ME, ME-MAX, ME-IO, ME PLC, and EH housing ranges (housing must be processed)



# ME 22,5 OT-MSTBO SET - Upper part of housing



2907444

<https://www.phoenixcontact.com/us/products/2907444>

## HS LC-H-D3/ R2XC1-5,08 - Fiber optic

2202315

<https://www.phoenixcontact.com/us/products/2202315>

Multiple light guides, passive, rigid, can be used for the ME, ME-MAX, ME-IO, ME PLC, and EH housing ranges (housing must be processed)



---

## HS LC-H-D2/ R2XC1-2,54 - Fiber optic

2202316

<https://www.phoenixcontact.com/us/products/2202316>

Multiple light guides with glare protection, passive, rigid, can be used for the ME, ME-MAX, ME-IO, ME PLC, and EH housing ranges (housing must be processed)



# ME 22,5 OT-MSTBO SET - Upper part of housing

2907444

<https://www.phoenixcontact.com/us/products/2907444>

## HS LC-H-D2/ R2XC2-2,54 - Fiber optic

2202317

<https://www.phoenixcontact.com/us/products/2202317>



Multiple light guides with glare protection, passive, rigid, can be used for the ME, ME-MAX, ME-IO, ME PLC, and EH housing ranges (housing must be processed)

---

## HS LC-H-D2/ R2XC5-2,54 - Fiber optic

2202318

<https://www.phoenixcontact.com/us/products/2202318>



Multiple light guides with glare protection, passive, rigid, can be used for the ME, ME-MAX, ME-IO, ME PLC, and EH housing ranges (housing must be processed)

# ME 22,5 OT-MSTBO SET - Upper part of housing

2907444

<https://www.phoenixcontact.com/us/products/2907444>

## HS LC-H-D2/ R2XC10-2,54 - Fiber optic

2202319

<https://www.phoenixcontact.com/us/products/2202319>

Multiple light guides with glare protection, passive, rigid, can be used for the ME, ME-MAX, ME-IO, ME PLC, and EH housing ranges (housing must be processed)



---

## HS LC-H-D2/ R4XC2-2,54 - Fiber optic

2202320

<https://www.phoenixcontact.com/us/products/2202320>

Multiple light guides with glare protection, passive, rigid, can be used for the ME, ME-MAX, ME-IO, ME PLC, and EH housing ranges (housing must be processed)



# ME 22,5 OT-MSTBO SET - Upper part of housing

2907444

<https://www.phoenixcontact.com/us/products/2907444>

## HS LC-H-D2/ R4XC5-2,54 - Fiber optic

2202321

<https://www.phoenixcontact.com/us/products/2202321>



Multiple light guides with glare protection, passive, rigid, can be used for the ME, ME-MAX, ME-IO, ME PLC, and EH housing ranges (housing must be processed)

---

## HS LC-H-D2/ R4XC9-2,54 - Fiber optic

2202322

<https://www.phoenixcontact.com/us/products/2202322>



Multiple light guides with glare protection, passive, rigid, can be used for the ME, ME-MAX, ME-IO, ME PLC, and EH housing ranges (housing must be processed)

# ME 22,5 OT-MSTBO SET - Upper part of housing

2907444

<https://www.phoenixcontact.com/us/products/2907444>

## HS LC-H-D2/ R4XC10-2,54 - Fiber optic

2202323

<https://www.phoenixcontact.com/us/products/2202323>



Multiple light guides with glare protection, passive, rigid, can be used for the ME, ME-MAX, ME-IO, ME PLC, and EH housing ranges (housing must be processed)

---

## HS LC-H-D2C/ R2XC1-2,54 - Fiber optic

1036658

<https://www.phoenixcontact.com/us/products/1036658>



Multiple light guides with glare protection, passive, rigid, can be used for the ME, ME-MAX, ME-IO, ME PLC, and EH housing ranges (housing must be processed)



# ME 22,5 OT-MSTBO SET - Upper part of housing

2907444

<https://www.phoenixcontact.com/us/products/2907444>

## HS LC-H-D2C/ R2XC2-2,54 - Fiber optic

1043044

<https://www.phoenixcontact.com/us/products/1043044>



Multiple light guides with glare protection, passive, rigid, can be used for the ME, ME-MAX, ME-IO, ME PLC, and EH housing ranges (housing must be processed)

---

## HS LC-H-D2C/ R2XC5-2,54 - Fiber optic

1071310

<https://www.phoenixcontact.com/us/products/1071310>



Multiple light guides with glare protection, passive, rigid, can be used for the ME, ME-MAX, ME-IO, ME PLC, and EH housing ranges (housing must be processed)

# ME 22,5 OT-MSTBO SET - Upper part of housing

2907444

<https://www.phoenixcontact.com/us/products/2907444>

## HS LC-H-D2C/ R2XC10-2,54 - Fiber optic

1071314

<https://www.phoenixcontact.com/us/products/1071314>

Multiple light guides with glare protection, passive, rigid, can be used for the ME, ME-MAX, ME-IO, ME PLC, and EH housing ranges (housing must be processed)



---

## HS LC-H-D2C/ R4XC2-2,54 - Fiber optic

1071316

<https://www.phoenixcontact.com/us/products/1071316>

Multiple light guides with glare protection, passive, rigid, can be used for the ME, ME-MAX, ME-IO, ME PLC, and EH housing ranges (housing must be processed)



# ME 22,5 OT-MSTBO SET - Upper part of housing

2907444

<https://www.phoenixcontact.com/us/products/2907444>

## HS LC-H-D2C/ R4XC5-2,54 - Fiber optic

1071318

<https://www.phoenixcontact.com/us/products/1071318>



Multiple light guides with glare protection, passive, rigid, can be used for the ME, ME-MAX, ME-IO, ME PLC, and EH housing ranges (housing must be processed)

---

## HS LC-H-D2C/ R4XC9-2,54 - Fiber optic

1071321

<https://www.phoenixcontact.com/us/products/1071321>



Multiple light guides with glare protection, passive, rigid, can be used for the ME, ME-MAX, ME-IO, ME PLC, and EH housing ranges (housing must be processed)

## ME 22,5 OT-MSTBO SET - Upper part of housing

2907444

<https://www.phoenixcontact.com/us/products/2907444>



## HS LC-H-D2C/ R4XC10-2,54 - Fiber optic

1071329

<https://www.phoenixcontact.com/us/products/1071329>

Multiple light guides with glare protection, passive, rigid, can be used for the ME, ME-MAX, ME-IO, ME PLC, and EH housing ranges (housing must be processed)



---

## ME-SAS - Shield connection clamp

2853899

<https://www.phoenixcontact.com/us/products/2853899>

Shield connection clamp for terminal points starting from 2.5 mm<sup>2</sup>



# ME 22,5 OT-MSTBO SET - Upper part of housing

2907444

<https://www.phoenixcontact.com/us/products/2907444>



## ME-SAS MINI - Shield connection clamp

2200456

<https://www.phoenixcontact.com/us/products/2200456>

Shield connection clamp for terminal points starting from 1.5 mm<sup>2</sup>



---

Phoenix Contact 2023 © - all rights reserved

<https://www.phoenixcontact.com>

Phoenix Contact USA  
586 Fulling Mill Road  
Middletown, PA 17057, United States  
(+717) 944-1300  
[info@phoenixcon.com](mailto:info@phoenixcon.com)