

UM 108-PROFIL 100CM - Profile



2907525

<https://www.phoenixcontact.com/us/products/2907525>

Please be informed that the data shown in this PDF document is generated from our online catalog. Please find the complete data in the user documentation. Our general terms of use for downloads are valid.

Press-drawn section housings, Basic profile, color: green (6021), open, profile width (internal): 122.6 mm, profile width (external): 107.5 mm, length: 1000 mm, depth: 21.5 mm, Note: required profile length = PCB length - 3.6 mm



Your advantages

- Easy installation
- Flexible size and shape
- Inexpensive as a result of reducing the number of separate housing parts

Commercial data

Item number	2907525
Packing unit	1 pc
Minimum order quantity	1 pc
Sales key	AC13
Product key	ACHDBA
Catalog page	Page 757 (C-1-2013)
GTIN	4017918336653
Weight per piece (including packing)	605 g
Weight per piece (excluding packing)	605 g
Customs tariff number	39162000
Country of origin	DE

UM 108-PROFIL 100CM - Profile

2907525

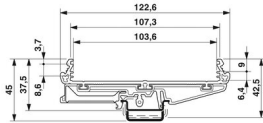
<https://www.phoenixcontact.com/us/products/2907525>

Technical data

Product properties

Product type	Component housing lower part
Product family	UM108
Type	Basic profile
Housing type	Press-drawn section housings
Housing series	UM

Dimensions

Dimensional drawing	
Depth	21.5 mm
Length	100 cm

External dimensions

Profile width (external)	107.5 mm
--------------------------	----------

Internal dimensions

Profile width (internal)	122.6 mm
--------------------------	----------

PCB design

PCB thickness	1.4 mm ... 1.8 mm
---------------	-------------------

Material specifications

Color	green (6021)
Flammability rating according to UL 94	V0
Housing material	PVC

Environmental and real-life conditions

Ambient conditions

Max. IP code to attain	IP20
Ambient temperature (operation)	-15 °C ... 50 °C (depending on power dissipation)
Ambient temperature (storage/transport)	-40 °C ... 50 °C
Ambient temperature (assembly)	-5 °C ... 50 °C
Relative humidity (storage/transport)	95 %

PCB data

Number of PCB holders	2
Thickness of the PCB	1.4 mm ... 1.8 mm

Mounting

UM 108-PROFIL 100CM - Profile



2907525

<https://www.phoenixcontact.com/us/products/2907525>

Mounting position	parallel to the DIN rail
-------------------	--------------------------

Packaging specifications

Type of packaging	packed in cardboard
Outer packaging type	Carton

UM 108-PROFIL 100CM - Profile

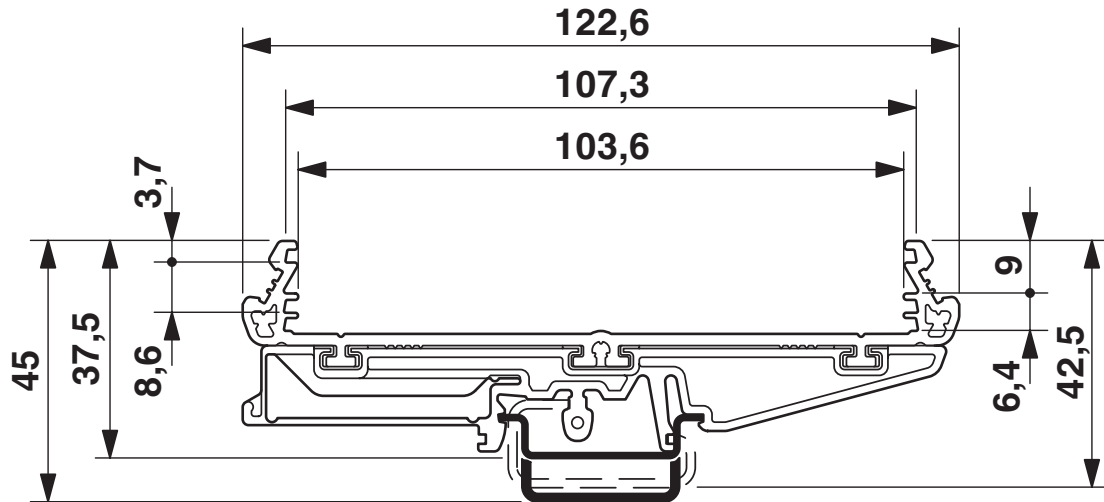


2907525

<https://www.phoenixcontact.com/us/products/2907525>

Drawings

Dimensional drawing



UM 108-PROFIL 100CM - Profile



2907525

<https://www.phoenixcontact.com/us/products/2907525>

Classifications

ECLASS

ECLASS-11.0	27182701
ECLASS-13.0	27190601

ETIM

ETIM 8.0	EC002779
----------	----------

UNSPSC

UNSPSC 21.0	31261500
-------------	----------

UM 108-PROFIL 100CM - Profile

2907525

<https://www.phoenixcontact.com/us/products/2907525>



Environmental product compliance

China RoHS	Environmentally friendly use period: unlimited = EFUP-e
	No hazardous substances above threshold values

UM 108-PROFIL 100CM - Profile

2907525

<https://www.phoenixcontact.com/us/products/2907525>



Accessories

UM108-FE - Foot element

2959463

<https://www.phoenixcontact.com/us/products/2959463>

Foot element, 107.5 mm wide, for mounting on NS 32 or NS 35/7.5, below profile housing UM 108.



UMK-BF - Mounting flange

2976077

<https://www.phoenixcontact.com/us/products/2976077>

Mounting flange, for mounting directly on the wall



UM 108-PROFIL 100CM - Profile

2907525

<https://www.phoenixcontact.com/us/products/2907525>



UM108-SEPEF/L - Lateral element

2906490

<https://www.phoenixcontact.com/us/products/2906490>

Press-drawn section housings, Lateral element (left), color: green, with snap-on foot and PE contact



UM108-SE - Lateral element

2959476

<https://www.phoenixcontact.com/us/products/2959476>

Side element, 5 mm wide, PCB width: 107.5 mm



UM 108-PROFIL 100CM - Profile

2907525

<https://www.phoenixcontact.com/us/products/2907525>



UM108-SEFE/R-A60 - Lateral element

2959706

<https://www.phoenixcontact.com/us/products/2959706>



Side element, with foot, tall version, right-hand, for 60 mm wide U-shaped cover.

UM108-SEFE/R-A73 - Lateral element

2959719

<https://www.phoenixcontact.com/us/products/2959719>



Side element, with foot, tall version, right-hand, for 73 mm wide U-shaped cover.

UM 108-PROFIL 100CM - Profile

2907525

<https://www.phoenixcontact.com/us/products/2907525>



UM108 N-SEFE/R-A73 - Lateral element

2709354

<https://www.phoenixcontact.com/us/products/2709354>

Side element, with foot, low-profile version, right-hand, for 73 mm wide U-shaped cover.



UM108-SEFE/L-A60 - Lateral element

2959722

<https://www.phoenixcontact.com/us/products/2959722>

Side element, with foot, tall version, left-hand, for 60 mm wide U-shaped cover.



UM 108-PROFIL 100CM - Profile

2907525

<https://www.phoenixcontact.com/us/products/2907525>



UM108-SEPEF/L-A60 - Lateral element

2906500

<https://www.phoenixcontact.com/us/products/2906500>



Side element with foot, tall design, left-hand, for 60 mm wide U-shaped cover, with PE contact to the DIN rail.

UM108-SEFE/L-A73 - Lateral element

2959735

<https://www.phoenixcontact.com/us/products/2959735>



Side element, with foot, tall version, left-hand, for 73 mm wide U-shaped cover.

UM 108-PROFIL 100CM - Profile

2907525

<https://www.phoenixcontact.com/us/products/2907525>



UM108-SEPEF/L-A73 - Lateral element

2906513

<https://www.phoenixcontact.com/us/products/2906513>



Side element with foot, tall design, left, for 73 mm wide U-shaped cover, with PE contact to the DIN rail.

UM108 N-SEFE/L-A73 - Lateral element

2709367

<https://www.phoenixcontact.com/us/products/2709367>



Side element, with foot, low-profile version, left-hand, for 73 mm wide U-shaped cover.

UM 108-PROFIL 100CM - Profile

2907525

<https://www.phoenixcontact.com/us/products/2907525>



UM108 N-SEPEF/L-A73 - Lateral element

2709370

<https://www.phoenixcontact.com/us/products/2709370>

Side element with foot, low-profile design, left, for 73 mm wide U-shaped cover, with PE contact to the DIN rail.



UM108-SE-A60 - Lateral element

2959748

<https://www.phoenixcontact.com/us/products/2959748>

Side element, without foot, tall version, for 60 mm wide U-shaped cover.



UM 108-PROFIL 100CM - Profile

2907525

<https://www.phoenixcontact.com/us/products/2907525>

UM108-SE-A73 - Lateral element

2959751

<https://www.phoenixcontact.com/us/products/2959751>

Side element, without foot, tall version, for 73 mm wide U-shaped cover.



UM108 N-SE-A73 - Lateral element

2709383

<https://www.phoenixcontact.com/us/products/2709383>

Side element, without foot, low-profile version, for 73 mm wide U-shaped cover.



UM 108-PROFIL 100CM - Profile

2907525

<https://www.phoenixcontact.com/us/products/2907525>



UM108-A/U CM - Covering hood

2854898

<https://www.phoenixcontact.com/us/products/2854898>



Press-drawn section housings, Latching, Cover, tall design, color: transparent, 73 mm wide, width: 73 mm, Note: length of the cover = length of the press-drawn section used

UM-A/U N 73 CM - Covering hood

2706852

<https://www.phoenixcontact.com/us/products/2706852>



Press-drawn section housings, Latching, Cover, flat design, color: transparent, 73 mm wide, width: 73 mm, Note: length of the cover = length of the press-drawn section used

UM 108-PROFIL 100CM - Profile

2907525

<https://www.phoenixcontact.com/us/products/2907525>



UM108-LG 10 - Lateral element

2959780

<https://www.phoenixcontact.com/us/products/2959780>

Profile housing and board base, 10 mm wide module, consisting of two side elements



Phoenix Contact 2023 © - all rights reserved

<https://www.phoenixcontact.com>

Phoenix Contact USA
586 Fulling Mill Road
Middletown, PA 17057, United States
(+717) 944-1300
info@phoenixcon.com