

# CA-17S1N126L00 - Device connector front mounting



1624056

<https://www.phoenixcontact.com/us/products/1624056>

Please be informed that the data shown in this PDF document is generated from our online catalog. Please find the complete data in the user documentation. Our general terms of use for downloads are valid.



M23, Device connector front mounting, series: CA, straight, shielded: yes, for standard and SPEEDCON interlock, No. of pos.: 17, Direction of rotation: Standard, contact connection type: Socket, Solder connection, Axial seal, Central fastening M20 x 1.5, can be positioned via a locking nut, coding: N

## Your advantages

- Safe use in the field, thanks to high degree of protection
- Connector for flexible on-site assembly
- Consistent EMC protection for reliable transmission of signals
- Solder connection: proven connection technology for various litz wires

## Commercial data

Item number	1624056
Packing unit	1 pc
Minimum order quantity	1 pc
Note	Made to order (non-returnable)
Sales key	AB33
Product key	ABRAEL
Catalog page	Page 99 (C-2-2019)
GTIN	4055626227771
Weight per piece (including packing)	36.12 g
Weight per piece (excluding packing)	36.12 g
Customs tariff number	85366990
Country of origin	DE

1624056

<https://www.phoenixcontact.com/us/products/1624056>

## Technical data

### Product properties

Product type	Circular connectors (device side)
--------------	-----------------------------------

### Material specifications

Flammability rating according to UL 94	V0
--	----

### Connector

#### Connection 1

Head design	Socket
-------------	--------

#### Insulating body

Coding	N
Insulation body material	PBT
Contact material	CuZn
Contact surface material	Ni/Au
Insertion/withdrawal cycles	100
Connection method	Solder connection
Contact switching type	Socket
Application	Signal
Number of positions	17
Direction of rotation	Standard
Connection profile	17
Rated voltage	48 V AC
	74 V DC
Rated surge voltage	1.5 kV
Overvoltage category	III
Degree of pollution	3
Contact diameter <b>Signal contacts</b>	1 mm
Litz wire cross-section <b>Signal contacts</b> max.	1 mm <sup>2</sup>
Nominal current per signal contact	8 A

#### Housing

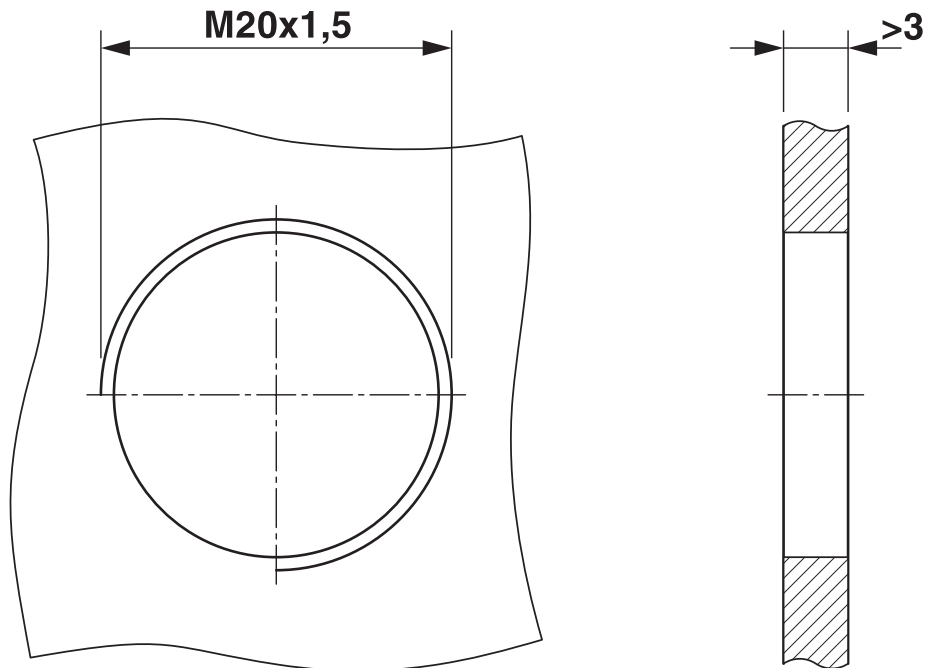
Housing material	Turned parts: copper zinc alloy (CuZn), die-cast parts: zinc (GD-Zn)
Type of locking	for standard and SPEEDCON interlock
Pg screw connection	none
Degree of protection (plugged in)	IP67
Thread type	M23

1624056

<https://www.phoenixcontact.com/us/products/1624056>

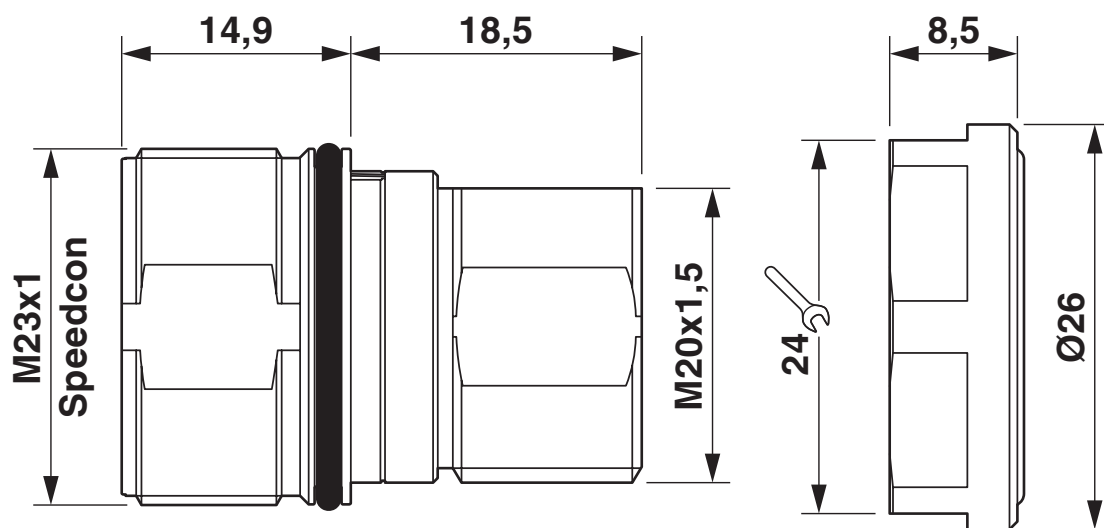
## Drawings

Dimensional drawing



Installation dimensions

Dimensional drawing



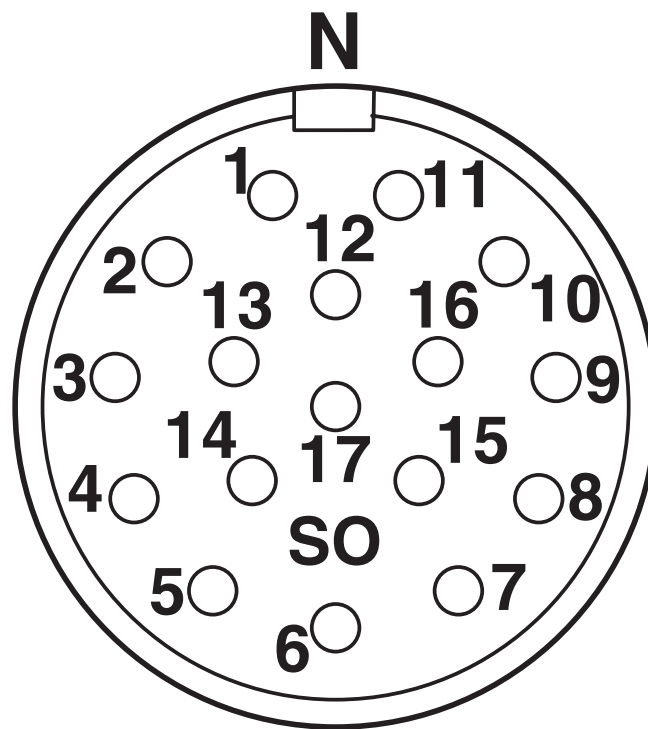
# CA-17S1N126L00 - Device connector front mounting

1624056

<https://www.phoenixcontact.com/us/products/1624056>



Schematic diagram



# CA-17S1N126L00 - Device connector front mounting





1624056

<https://www.phoenixcontact.com/us/products/1624056>

## Approvals

To download certificates, visit the product detail page: <https://www.phoenixcontact.com/us/products/1624056>

 <b>cUL Recognized</b> Approval ID: E335019-20141210				
	Nominal voltage $U_N$	Nominal current $I_N$	Cross section AWG	Cross section $\text{mm}^2$
	48 V	5 A	- 18	-

 <b>UL Recognized</b> Approval ID: E335019-20141210				
	Nominal voltage $U_N$	Nominal current $I_N$	Cross section AWG	Cross section $\text{mm}^2$
	48 V	8 A	- 18	-

<b>cULus Recognized</b>				
-------------------------	--	--	--	--

# CA-17S1N126L00 - Device connector front mounting



1624056

<https://www.phoenixcontact.com/us/products/1624056>

## Classifications

### ECLASS

ECLASS-11.0	27440109
ECLASS-12.0	27440109
ECLASS-13.0	27440109

### ETIM

ETIM 9.0	EC003569
----------	----------

### UNSPSC

UNSPSC 21.0	39121400
-------------	----------

# CA-17S1N126L00 - Device connector front mounting



1624056

<https://www.phoenixcontact.com/us/products/1624056>

## Environmental product compliance

REACH SVHC	Lead 7439-92-1
China RoHS	Environmentally Friendly Use Period = 50 years
	For information on hazardous substances, refer to the manufacturer's declaration available under "Downloads"

1624056

<https://www.phoenixcontact.com/us/products/1624056>

## Accessories

### SF-Z0019 - Protective cap

1607449

<https://www.phoenixcontact.com/us/products/1607449>



Plastic protection cap, with eye, IP40 for connectors with M23 external thread, RF, SF series

---

### RC-Z2469 - Protective cap

1611797

<https://www.phoenixcontact.com/us/products/1611797>



Plastic protection cap, antistatic, for RF, SF, CA, RC series connectors, with M23 external thread



# CA-17S1N126L00 - Device connector front mounting

1624056

<https://www.phoenixcontact.com/us/products/1624056>

## RC-Z2104 - Metal protective cap

1604260

<https://www.phoenixcontact.com/us/products/1604260>



Metal protective cap, M23, degree of protection: IP67, series: RC, Alternative product in accordance with RoHS II without Exemption 6c (Pb <0.1%) item no.: 1241739

---

## RC-Z2068 - Metal protective cap

1604236

<https://www.phoenixcontact.com/us/products/1604236>



Metal protective cap, M23, degree of protection: IP67, series: RC, Alternative product in accordance with RoHS II without Exemption 6c (Pb <0.1%) item no.: 1241735

## CA-17S1N126L00 - Device connector front mounting

1624056

<https://www.phoenixcontact.com/us/products/1624056>



## CA-Z0001 - Contact removal tool

1620699

<https://www.phoenixcontact.com/us/products/1620699>



Unlocking tool for contact carriers for snapping in the M23 signal device connectors

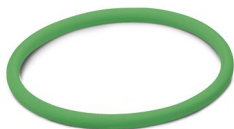
---

## RF-Z0017 - Color coding

1620624

<https://www.phoenixcontact.com/us/products/1620624>

Color coding, color: green



# CA-17S1N126L00 - Device connector front mounting



1624056

<https://www.phoenixcontact.com/us/products/1624056>

## RF-Z0018 - Color coding

1620625

<https://www.phoenixcontact.com/us/products/1620625>

Color coding, color: orange



---

## RF-Z0019 - Color coding

1620626

<https://www.phoenixcontact.com/us/products/1620626>

Color coding, color: anthracite



---

Phoenix Contact 2023 © - all rights reserved  
<https://www.phoenixcontact.com>

Phoenix Contact USA  
586 Fulling Mill Road  
Middletown, PA 17057, United States  
(+717) 944-1300  
[info@phoenixcon.com](mailto:info@phoenixcon.com)