

SF-7ES1N8A80DU - Cable connector



1605602

<https://www.phoenixcontact.com/us/products/1605602>

Please be informed that the data shown in this PDF document is generated from our online catalog. Please find the complete data in the user documentation. Our general terms of use for downloads are valid.



Cable connector, straight short, Screw locking mechanism, M23, number of positions: 4+3+PE, contact connection type: Socket, shielded: yes, degree of protection: IP67, cable diameter range: 7.5 mm ... 14 mm, number of positions: 8, connection method: Crimp connection, series: SF, Alternative product in accordance with RoHS II without Exemption 6c (Pb <0.1%) item no.: 1241938

Your advantages

- Consistent EMC protection for reliable connection solutions in the industrial environment
- Crimping connection: vibration- and temperature-resistant assembly
- Flexible use: reliably connect cable diameters of 7.5 mm ... 14 mm
- Molded designs with preassembled cables on one or both sides

Commercial data

| | |
|--------------------------------------|---------------------|
| Item number | 1605602 |
| Packing unit | 1 pc |
| Minimum order quantity | 1 pc |
| Sales key | AB32 |
| Product key | ABRBFA |
| Catalog page | Page 154 (C-2-2019) |
| GTIN | 4046356182232 |
| Weight per piece (including packing) | 136.4 g |
| Weight per piece (excluding packing) | 123.1 g |
| Customs tariff number | 85366990 |
| Country of origin | DE |

Technical data

Notes

| | |
|-------------|---|
| General | Order crimp contacts 4 x Ø 1 mm, 4 x Ø 2 mm separately |
| Safety note | |
| Safety note | <p>WARNING: The connectors may not be plugged in or disconnected under load. Ignoring the warning or improper use may damage persons and/or property.</p> <ul style="list-style-type: none"> • WARNING: Commission properly functioning products only. The products must be regularly inspected for damage. Decommission defective products immediately. Replace damaged products. Repairs are not possible. • WARNING: Only electrically qualified personnel may install and operate the product. They must observe the following safety notes. The qualified personnel must be familiar with the basics of electrical engineering. They must be able to recognize and prevent danger. The relevant symbol on the packaging indicates that only personnel familiar with electrical engineering are allowed to install and operate the product. • The products are suitable for applications in plant, controller, and electrical device engineering. • When operating the connectors in outdoor applications, they must be separately protected against environmental influences. • Assembled products may not be manipulated or improperly opened. • Only use mating connectors that are specified in the technical data of the standards listed (e.g. the ones listed in the product accessories online at phoenixcontact.com/products). • When using the product in direct connection with third-party manufacturers, the user is responsible. • For operating voltages > 50 V AC, conductive connector housings must be grounded • Ensure that the protective or functional ground has been properly connected. • VDE 0100/1.97 § 411.1.3.2 and DIN EN 60 204/11.98 § 14.1.3 are applicable when combining several circuits in a cable and/or connector • Only use tools recommended by Phoenix Contact • The installation notes/Design In documents online on the download page at phoenixcontact.com/products must be observed for this product. • Operate the connector only when it is fully plugged in and interlocked. • Ensure that when laying the cable, the tensile load on the connectors does not exceed the upper limit specified in the standards. • Observe the minimum bending radius of the cable. Lay the cable without twisting it. • The connector warms up in normal operation. Depending on the ambient conditions, the surface of the connector can continue to warm up. In this case, the user is responsible for posting |

SF-7ES1N8A80DU - Cable connector



1605602

<https://www.phoenixcontact.com/us/products/1605602>

warnings (e.g. DIN EN ISO 13732-1:2008-12).

Mounting

| | |
|-------------------|------------------|
| Connection method | Crimp connection |
|-------------------|------------------|

Product properties

| | |
|---------------------|---------------------------------|
| Product type | Circular connector (cable-side) |
| Number of positions | 8 |
| Connection profile | 4+3+PE |
| Application | Power |
| Series | SF |
| Shielded | yes |
| Coding | N |
| Thread type | M23 |

Material specifications

| | |
|----------------------------|--|
| Seal material | FPM |
| Housing material | Turned parts: copper zinc alloy (CuZn), die-cast parts: zinc (GD-Zn) |
| Insulator material | PA 6.6 |
| Gasket and O-ring material | FPM |
| Housing material | Metal |

Connection data

Conductor connection

| | |
|-------------------|------------------|
| Connection method | Crimp connection |
|-------------------|------------------|

Electrical properties

Contact

| | |
|-----------------------|-------|
| Contact diameter | 2 mm |
| Max. current | 30 A |
| Nominal voltage U_N | 630 V |
| Overvoltage category | III |
| Degree of pollution | 3 |
| Rated surge voltage | 6 kV |

Contact

| | |
|-----------------------|-------|
| Contact diameter | 1 mm |
| Max. current | 9 A |
| Nominal voltage U_N | 250 V |
| Overvoltage category | III |
| Degree of pollution | 3 |
| Rated surge voltage | 4 kV |

Connector

SF-7ES1N8A80DU - Cable connector



1605602

<https://www.phoenixcontact.com/us/products/1605602>

| | |
|------|----------------|
| Type | straight short |
|------|----------------|

Connection 1

| | |
|-------------|--------|
| Head design | Socket |
|-------------|--------|

Cable/line

| | |
|-------------------------|------------------|
| External cable diameter | 7.5 mm ... 14 mm |
|-------------------------|------------------|

Environmental and real-life conditions

Ambient conditions

| | |
|---------------------------------|-------------------|
| Degree of protection | IP67 |
| Ambient temperature (operation) | -40 °C ... 125 °C |
| Altitude | 3000 m |

SF-7ES1N8A80DU - Cable connector

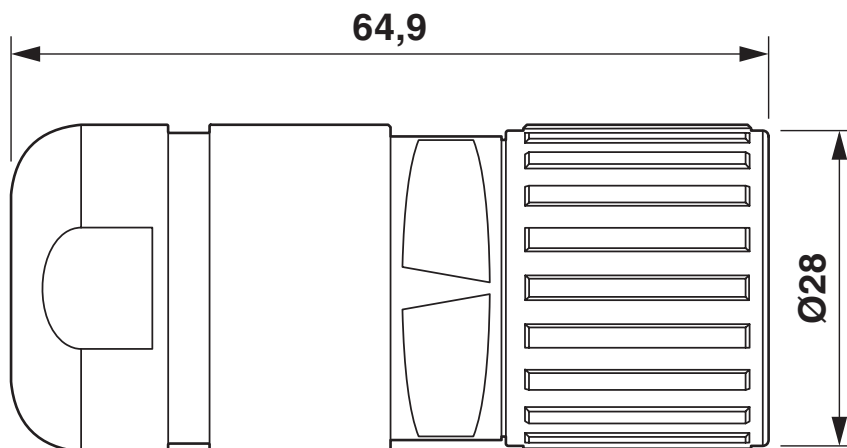


1605602

<https://www.phoenixcontact.com/us/products/1605602>

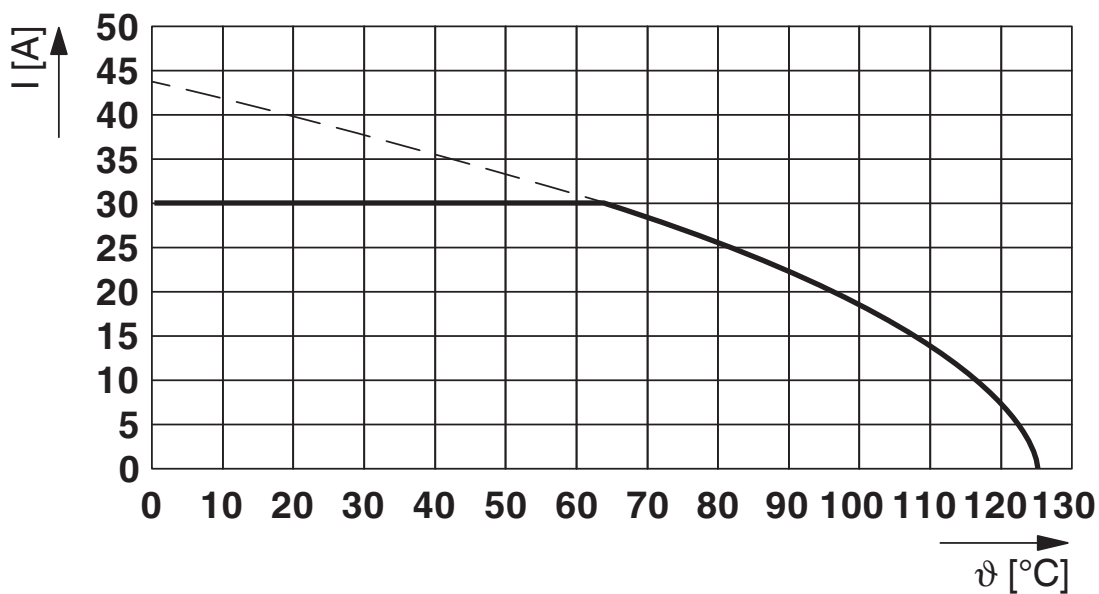
Drawings

Dimensional drawing



Dimensional drawing

Diagram



I = current strength, T = ambient temperature

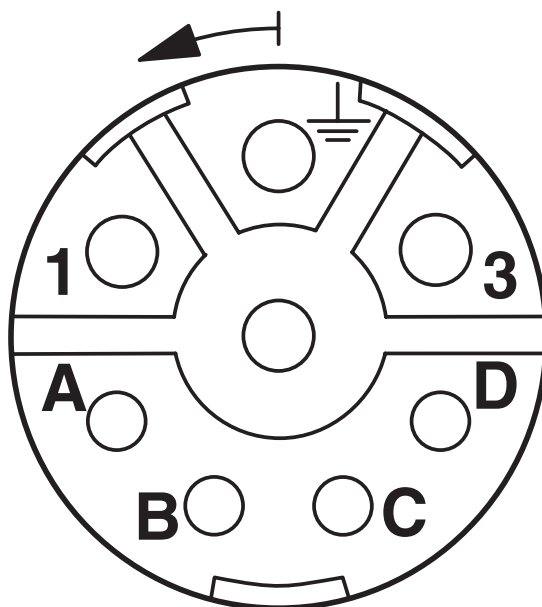
SF-7ES1N8A80DU - Cable connector

1605602

<https://www.phoenixcontact.com/us/products/1605602>



Schematic diagram



Connector pin assignment

SF-7ES1N8A80DU - Cable connector





1605602

<https://www.phoenixcontact.com/us/products/1605602>

Approvals

To download certificates, visit the product detail page: <https://www.phoenixcontact.com/us/products/1605602>

|  cUL Recognized Approval ID: E153698-20041116 | | | | |
|--|-----------------------|-----------------------|-------------------|-----------------------------|
| | Nominal voltage U_N | Nominal current I_N | Cross section AWG | Cross section mm^2 |
| | 600 V | 18 A | - 12 | - |

|  UL Recognized Approval ID: E153698-20041116 | | | | |
|---|-----------------------|-----------------------|-------------------|-----------------------------|
| | Nominal voltage U_N | Nominal current I_N | Cross section AWG | Cross section mm^2 |
| | 600 V | 27 A | - 12 | - |

| cULus Recognized | | | | |
|-------------------------|--|--|--|--|
|-------------------------|--|--|--|--|

SF-7ES1N8A80DU - Cable connector



1605602

<https://www.phoenixcontact.com/us/products/1605602>

Classifications

ECLASS

| | |
|-------------|----------|
| ECLASS-11.0 | 27440102 |
| ECLASS-12.0 | 27440116 |
| ECLASS-13.0 | 27440116 |

ETIM

| | |
|----------|----------|
| ETIM 9.0 | EC002635 |
|----------|----------|

UNSPSC

| | |
|-------------|----------|
| UNSPSC 21.0 | 39121400 |
|-------------|----------|

SF-7ES1N8A80DU - Cable connector



1605602

<https://www.phoenixcontact.com/us/products/1605602>

Environmental product compliance

| | |
|------------|--|
| REACH SVHC | Lead 7439-92-1 |
| China RoHS | Environmentally Friendly Use Period = 50 years |
| | For information on hazardous substances, refer to the manufacturer's declaration available under "Downloads" |

SF-7ES1N8A80DU - Cable connector



1605602

<https://www.phoenixcontact.com/us/products/1605602>

Accessories

SF-7PS2000 - Crimp contact

1605636

<https://www.phoenixcontact.com/us/products/1605636>



Crimp contact, Socket, turned, Single contact, contact diameter: 2 mm, crimp range: 0.25 mm² ... 1 mm², Alternative product in accordance with RoHS II without Exemption 6c (Pb <0.1%) item no.: 1241952

SF-7NS2000 - Crimp contact

1605631

<https://www.phoenixcontact.com/us/products/1605631>



Crimp contact, Socket, turned, Single contact, contact diameter: 2 mm, crimp range: 0.75 mm² ... 1.5 mm², Alternative product in accordance with RoHS II without Exemption 6c (Pb <0.1%) item no.: 1237431

SF-7ES1N8A80DU - Cable connector

1605602

<https://www.phoenixcontact.com/us/products/1605602>



SF-7QS2000 - Crimp contact

1605643

<https://www.phoenixcontact.com/us/products/1605643>



Crimp contact, Socket, turned, Single contact, contact diameter: 2 mm, crimp range: 1 mm² ... 2.5 mm², Alternative product in accordance with RoHS II without Exemption 6c (Pb <0.1%) item no.: 1237431

SF-6CS2000 - Crimp contact

1605562

<https://www.phoenixcontact.com/us/products/1605562>



Crimp contact, Socket, turned, Single contact, contact diameter: 1 mm, crimp range: 0.06 mm² ... 0.25 mm², Alternative product in accordance with RoHS II without Exemption 6c (Pb <0.1%) item no.: 1241922

SF-7ES1N8A80DU - Cable connector

1605602

<https://www.phoenixcontact.com/us/products/1605602>



SF-10KS004 - Crimp contact

1607356

<https://www.phoenixcontact.com/us/products/1607356>



Crimp contact, Socket, turned, Single contact, contact diameter: 1 mm, crimp range: 0.14 mm² ... 0.5 mm², Alternative product in accordance with RoHS II without Exemption 6c (Pb <0.1%) item no.: 1241922

SF-6FS2000 - Crimp contact

1605566

<https://www.phoenixcontact.com/us/products/1605566>



Crimp contact, Socket, turned, Single contact, contact diameter: 1 mm, crimp range: 0.5 mm² ... 1 mm², Alternative product in accordance with RoHS II without Exemption 6c (Pb <0.1%) item no.: 1241923

SF-7ES1N8A80DU - Cable connector

1605602

<https://www.phoenixcontact.com/us/products/1605602>



SF-6AS2000 - Crimp contact

1605557

<https://www.phoenixcontact.com/us/products/1605557>



Crimp contact, Socket, turned, Single contact, contact diameter: 1 mm, crimp range: 0.25 mm² ... 1 mm², Alternative product in accordance with RoHS II without Exemption 6c (Pb <0.1%) item no.: 1241922

SC-Z2322 - Metal protective cap

1605459

<https://www.phoenixcontact.com/us/products/1605459>

Metal dust protection cap with steel wire for power plugs with M23 knurled nuts



SF-7ES1N8A80DU - Cable connector

1605602

<https://www.phoenixcontact.com/us/products/1605602>



SF-Z0064 - Color coding

1620585

<https://www.phoenixcontact.com/us/products/1620585>

Color coding, color: green



SF-Z0065 - Color coding

1620586

<https://www.phoenixcontact.com/us/products/1620586>

Color coding, color: orange



SF-7ES1N8A80DU - Cable connector

1605602

<https://www.phoenixcontact.com/us/products/1605602>



SF-Z0066 - Color coding

1620587

<https://www.phoenixcontact.com/us/products/1620587>

Color coding, color: black



SF-Z0028 - Torque screwdriver

1607456

<https://www.phoenixcontact.com/us/products/1607456>

Torque screwdriver, series: RC



SF-7ES1N8A80DU - Cable connector

1605602

<https://www.phoenixcontact.com/us/products/1605602>



SF-Z0027 - Hook wrench

1607455

<https://www.phoenixcontact.com/us/products/1607455>



Hook wrench, series: RC

SF-Z0068 - Square mounting flange

1620927

<https://www.phoenixcontact.com/us/products/1620927>



Square mounting flange, 4xM3, flange dimensions: 38 mm x 38 mm, series: SF, Alternative product in accordance with RoHS II without Exemption 6c (Pb <0.1%) item no.: 1244326

SF-7ES1N8A80DU - Cable connector

1605602

<https://www.phoenixcontact.com/us/products/1605602>



PROT-M23-PW-IT-IP20 - Plastic protective cap

1577207

<https://www.phoenixcontact.com/us/products/1577207>

Plastic protective cap, M23, degree of protection: IP20, series: SF



Phoenix Contact 2023 © - all rights reserved

<https://www.phoenixcontact.com>

Phoenix Contact USA
586 Fulling Mill Road
Middletown, PA 17057, United States
(+717) 944-1300
info@phoenixcon.com