

# EV-GBAC-PARK - Charging connector holder



1624142

<https://www.phoenixcontact.com/us/products/1624142>

Please be informed that the data shown in this PDF document is generated from our online catalog. Please find the complete data in the user documentation. Our general terms of use for downloads are valid.



CHARX connect, GB/T, Charging connector holder, Accessories, Front mounting, housing: black, for vehicle charging connectors on charging stations (EVSE), GB/T 20234.2

## Product description

Retainer for Vehicle Connector as parking position at charging stations for E-Mobility (EVSE)

## Your advantages

- Developed and produced in accordance with the IATF 16949 automotive standard and ISO 9001
- Individual branding, thanks to the use your own logo

## Commercial data

Item number	1624142
Packing unit	1 pc
Minimum order quantity	1 pc
Sales key	EM01
Product key	XWBDYY
GTIN	4055626241586
Weight per piece (including packing)	96 g
Weight per piece (excluding packing)	96 g
Customs tariff number	85389099
Country of origin	CN

# EV-GBAC-PARK - Charging connector holder



1624142

<https://www.phoenixcontact.com/us/products/1624142>

## Technical data

### Product properties

Product type	Charging connector holder
Product family	CHARX connect
Type	Accessories
Charging standard	GB/T
Charging mode	Mode 3
Customer variations	On request

### Material specifications

Color (Housing)	black (9005)
Material (Housing)	Plastic
Flammability rating according to UL 94	V0 ()

### Mechanical properties

Securing	With actuation lever
Removal	Lever actuation and removal

### Environmental and real-life conditions

#### Ambient conditions

Degree of protection	IP54 (plugged in)
Ambient temperature (operation)	-30 °C ... 50 °C
Ambient temperature (storage/transport)	-40 °C ... 80 °C

### Standards and regulations

#### Standards

Standards/regulations	GB/T 20234.2
-----------------------	--------------

### Mounting

Mounting type Charging connector holder	Front mounting (0° ... 45° frontal inclination possible)
Mounting hole diameter	7.00 mm (Hexagonal fixing)

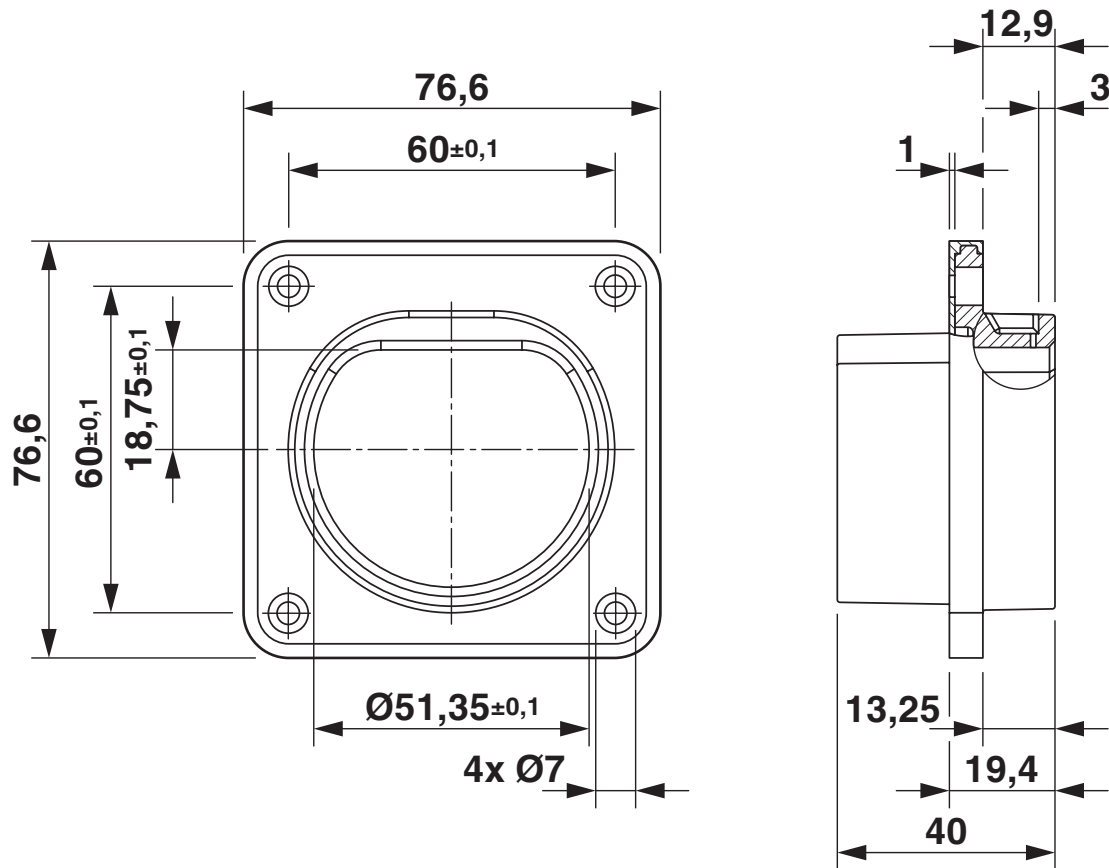
# EV-GBAC-PARK - Charging connector holder

1624142

<https://www.phoenixcontact.com/us/products/1624142>

## Drawings

Dimensional drawing



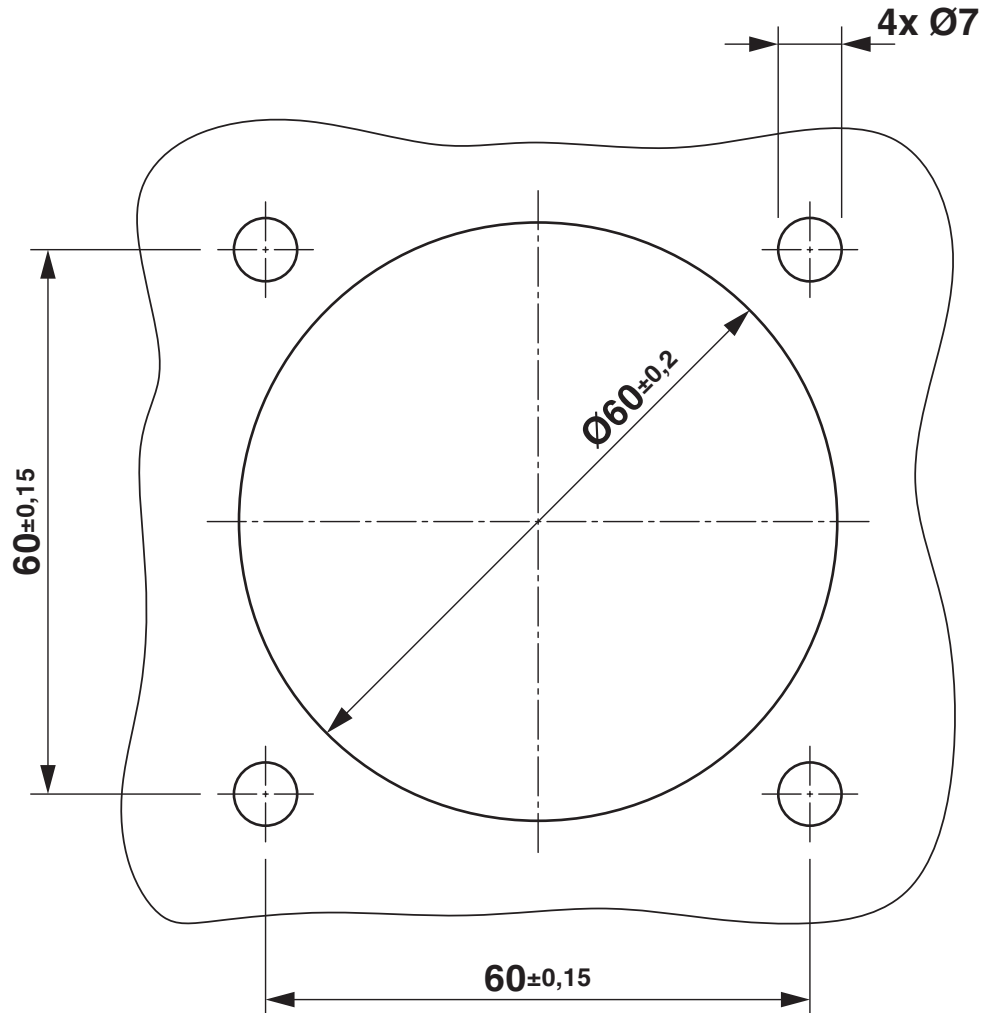
Dimensional drawing

# EV-GBAC-PARK - Charging connector holder

1624142

<https://www.phoenixcontact.com/us/products/1624142>

Drilling plan/solder pad geometry



Hole image

# EV-GBAC-PARK - Charging connector holder



1624142

<https://www.phoenixcontact.com/us/products/1624142>

## Classifications

### ECLASS

ECLASS-15.0	27144792
ECLASS-13.0	27144792

### ETIM

ETIM 10.0	EC002884
-----------	----------

### UNSPSC

UNSPSC 21.0	39121500
-------------	----------

# EV-GBAC-PARK - Charging connector holder



1624142

<https://www.phoenixcontact.com/us/products/1624142>

## Environmental product compliance

### EU RoHS

Fulfills EU RoHS substance requirements	Yes, No exemptions
---	--------------------

### China RoHS

Environment friendly use period (EFUP)	EFUP-E
	No hazardous substances above the limits

### EU REACH SVHC

REACH candidate substance (CAS No.)	No substance above 0.1 wt%
-------------------------------------	----------------------------

Phoenix Contact 2026 © - all rights reserved  
<https://www.phoenixcontact.com>

Phoenix Contact USA  
586 Fulling Mill Road  
Middletown, PA 17057, United States  
(+717) 944-1300  
[info@phoenixcon.com](mailto:info@phoenixcon.com)