

C-BCI 2,5/4,6 - Cable lug

3240569

<https://www.phoenixcontact.com/us/products/3240569>



Please be informed that the data shown in this PDF document is generated from our online catalog. Please find the complete data in the user documentation. Our general terms of use for downloads are valid.



Flat pin cable lug, with tab, soldered neck, blue, 1.5 ... 2.5 mm², pin width: 4.6 mm, easy conductor entry with Easy-Entry, for horizontal and vertical crimping with CRIMPFOX-RCI 6

Your advantages

- "Easy Entry" for easy and reliable conductor entry
- Halogen-free
- Electrogalvanized

Commercial data

| | |
|--------------------------------------|---------------------|
| Item number | 3240569 |
| Packing unit | 1 pc |
| Minimum order quantity | 100 pc |
| Sales key | BH34 |
| Product key | BH3461 |
| Catalog page | Page 497 (C-3-2019) |
| GTIN | 4046356563741 |
| Weight per piece (including packing) | 1.188 g |
| Weight per piece (excluding packing) | 1.115 g |
| Customs tariff number | 85369010 |
| Country of origin | TW |

C-BCI 2,5/4,6 - Cable lug

3240569

<https://www.phoenixcontact.com/us/products/3240569>



Technical data

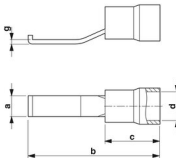
Product properties

| | |
|--------------|-----------|
| Product type | Connector |
|--------------|-----------|

Electrical properties

| | |
|------|----|
| Fuse | no |
|------|----|

Dimensions

| | |
|---|--|
| Dimensional drawing |  |
| Width | 4.6 mm |
| Length of the insulating material sleeve | 11 mm |
| Length contact range | 17.5 mm |
| Maximum stripping length | 8 mm |
| Min. material thickness | 0.8 mm |
| Inner dimensions of the insulating collar | 4.5 mm |

Material specifications

| | |
|--|--------------|
| Color | blue |
| Material | Copper |
| Flammability rating according to UL 94 | V2 |
| Coating | tin-plated |
| Insulating material | PA |
| Components | halogen-free |

Environmental and real-life conditions

Ambient conditions

| | |
|---------------------------------|-------------------|
| Ambient temperature (operation) | -20 °C ... 105 °C |
| Permanent temperature | 105 °C |
| Short-term temperature | 120 °C |

C-BCI 2,5/4,6 - Cable lug

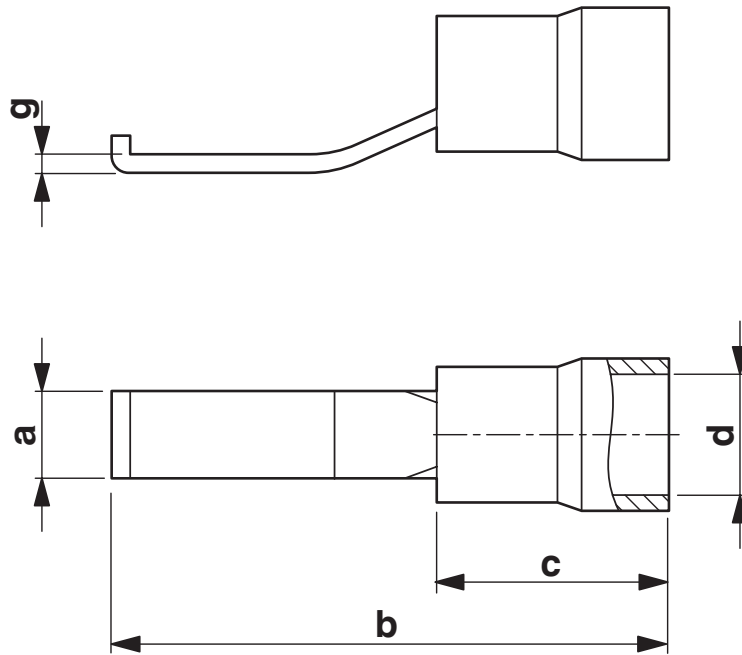
3240569

<https://www.phoenixcontact.com/us/products/3240569>



Drawings

Dimensional drawing



C-BCI 2,5/4,6 - Cable lug

3240569

<https://www.phoenixcontact.com/us/products/3240569>



Classifications

ECLASS

| | |
|-------------|----------|
| ECLASS-11.0 | 27400204 |
| ECLASS-13.0 | 27400204 |
| ECLASS-12.0 | 27400204 |

ETIM

| | |
|----------|----------|
| ETIM 9.0 | EC001052 |
|----------|----------|

UNSPSC

| | |
|-------------|----------|
| UNSPSC 21.0 | 27121700 |
|-------------|----------|

C-BCI 2,5/4,6 - Cable lug

3240569

<https://www.phoenixcontact.com/us/products/3240569>



Environmental product compliance

| | |
|------------|---|
| China RoHS | Environmentally friendly use period: unlimited = EFUP-e |
| | No hazardous substances above threshold values |

C-BCI 2,5/4,6 - Cable lug

3240569

<https://www.phoenixcontact.com/us/products/3240569>



Accessories

CRIMPFOX-RCI 2,5 - Crimping pliers

1212053

<https://www.phoenixcontact.com/us/products/1212053>



Crimping pliers, for insulated cable lugs, 0.5 mm² ... 2.5 mm² (red, blue), oval crimp

CRIMPFOX-RCI 2,5-M - Crimping pliers

1212728

<https://www.phoenixcontact.com/us/products/1212728>



Crimping pliers, compact pliers, for insulated cable lugs (red, blue), two marked die stations, unlockable pressure lock, lateral entry

C-BCI 2,5/4,6 - Cable lug

3240569

<https://www.phoenixcontact.com/us/products/3240569>



CRIMPFOX-RCI 6 - Crimping pliers

1212057

<https://www.phoenixcontact.com/us/products/1212057>



Crimping pliers, for insulated cable lugs, 0.5 mm² ... 6.0 mm² (red, blue, yellow), oval crimp, symmetrical

CRIMPFOX-RCI 6-1 - Crimping pliers

1212059

<https://www.phoenixcontact.com/us/products/1212059>



Crimping pliers, for insulated cable lugs, 0.5 mm² ... 6.0 mm² (red, blue, yellow), oval crimp, asymmetrical

C-BCI 2,5/4,6 - Cable lug

3240569

<https://www.phoenixcontact.com/us/products/3240569>



CRIMPFOX-RCI 6-M - Crimping pliers

1212730

<https://www.phoenixcontact.com/us/products/1212730>



Crimping pliers, compact pliers, for symmetrical insulated cable lugs, 0.5 mm² ... 6.0 mm² (red, blue, yellow), three marked die stations, unlockable pressure lock, lateral entry

CF 500/DIE RCI 6 - Crimp insert

1212240

<https://www.phoenixcontact.com/us/products/1212240>



Die for CF 500 automatic crimping device, for insulated cable lugs (C-RCI... and C-FCI...) 0.5 mm² ... 6 mm²

Phoenix Contact 2023 © - all rights reserved
<https://www.phoenixcontact.com>

Phoenix Contact USA
586 Fulling Mill Road
Middletown, PA 17057, United States
(+717) 944-1300
info@phoenixcon.com