

C-BCI 1,5/4,6 - Cable lug

3240568

<https://www.phoenixcontact.com/us/products/3240568>



Please be informed that the data shown in this PDF document is generated from our online catalog. Please find the complete data in the user documentation. Our general terms of use for downloads are valid.



Flat pin cable lug, with tab, soldered neck, red, 0.5 ... 1.5 mm², pin width: 4.6 mm, easy conductor entry with Easy-Entry, for horizontal and vertical crimping with CRIMPFOX-RCI 6

Your advantages

- "Easy Entry" for easy and reliable conductor entry
- Halogen-free
- Electrogalvanized

Commercial data

Item number	3240568
Packing unit	1 pc
Minimum order quantity	100 pc
Sales key	BH34
Product key	BH3461
Catalog page	Page 497 (C-3-2019)
GTIN	4046356563734
Weight per piece (including packing)	1.04 g
Weight per piece (excluding packing)	1.023 g
Customs tariff number	85369010
Country of origin	TW

C-BCI 1,5/4,6 - Cable lug

3240568

<https://www.phoenixcontact.com/us/products/3240568>



Technical data

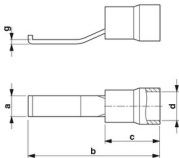
Product properties

Product type	Connector
--------------	-----------

Electrical properties

Fuse	no
------	----

Dimensions

Dimensional drawing	
Width	4.6 mm
Length of the insulating material sleeve	10.5 mm
Length contact range	17.5 mm
Maximum stripping length	7 mm
Min. material thickness	0.8 mm
Inner dimensions of the insulating collar	4 mm

Material specifications

Color	red
Material	Copper
Flammability rating according to UL 94	V2
Coating	tin-plated
Insulating material	PA
Components	halogen-free

Environmental and real-life conditions

Ambient conditions

Ambient temperature (operation)	-20 °C ... 105 °C
Permanent temperature	105 °C
Short-term temperature	120 °C

C-BCI 1,5/4,6 - Cable lug

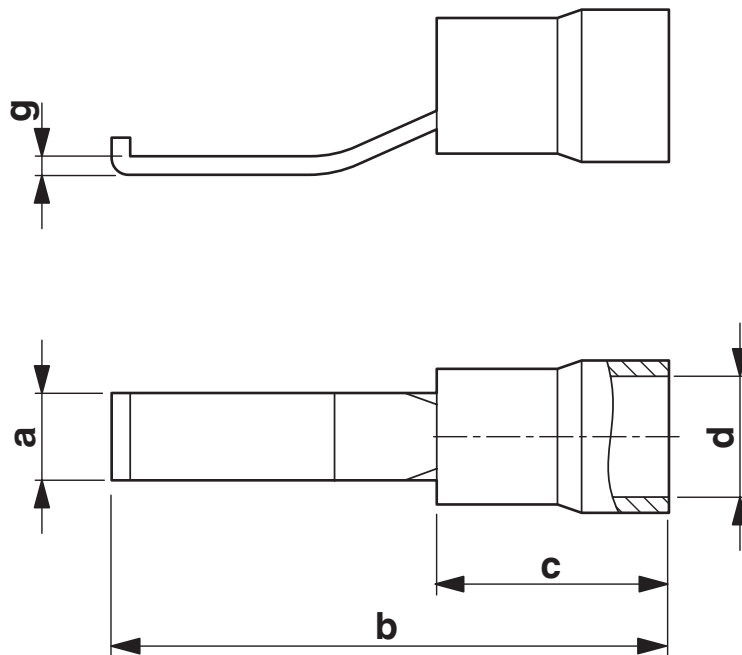
3240568

<https://www.phoenixcontact.com/us/products/3240568>



Drawings

Dimensional drawing



C-BCI 1,5/4,6 - Cable lug

3240568

<https://www.phoenixcontact.com/us/products/3240568>



Classifications

ECLASS

ECLASS-11.0	27400204
ECLASS-13.0	27400204
ECLASS-12.0	27400204

ETIM

ETIM 9.0	EC001052
----------	----------

UNSPSC

UNSPSC 21.0	27121700
-------------	----------

C-BCI 1,5/4,6 - Cable lug

3240568

<https://www.phoenixcontact.com/us/products/3240568>



Environmental product compliance

China RoHS	Environmentally friendly use period: unlimited = EFUP-e
	No hazardous substances above threshold values

C-BCI 1,5/4,6 - Cable lug

3240568

<https://www.phoenixcontact.com/us/products/3240568>



Accessories

CRIMPFOX-RCI 2,5 - Crimping pliers

1212053

<https://www.phoenixcontact.com/us/products/1212053>



Crimping pliers, for insulated cable lugs, 0.5 mm² ... 2.5 mm² (red, blue), oval crimp

CRIMPFOX-RCI 2,5-M - Crimping pliers

1212728

<https://www.phoenixcontact.com/us/products/1212728>



Crimping pliers, compact pliers, for insulated cable lugs (red, blue), two marked die stations, unlockable pressure lock, lateral entry

C-BCI 1,5/4,6 - Cable lug

3240568

<https://www.phoenixcontact.com/us/products/3240568>



CRIMPFOX-RCI 6 - Crimping pliers

1212057

<https://www.phoenixcontact.com/us/products/1212057>



Crimping pliers, for insulated cable lugs, 0.5 mm² ... 6.0 mm² (red, blue, yellow), oval crimp, symmetrical

CRIMPFOX-RCI 6-1 - Crimping pliers

1212059

<https://www.phoenixcontact.com/us/products/1212059>



Crimping pliers, for insulated cable lugs, 0.5 mm² ... 6.0 mm² (red, blue, yellow), oval crimp, asymmetrical

C-BCI 1,5/4,6 - Cable lug

3240568

<https://www.phoenixcontact.com/us/products/3240568>



CRIMPFOX-RCI 6-M - Crimping pliers

1212730

<https://www.phoenixcontact.com/us/products/1212730>



Crimping pliers, compact pliers, for symmetrical insulated cable lugs, 0.5 mm² ... 6.0 mm² (red, blue, yellow), three marked die stations, unlockable pressure lock, lateral entry

CF 500/DIE RCI 6 - Crimp insert

1212240

<https://www.phoenixcontact.com/us/products/1212240>



Die for CF 500 automatic crimping device, for insulated cable lugs (C-RCI... and C-FCI...) 0.5 mm² ... 6 mm²

Phoenix Contact 2023 © - all rights reserved
<https://www.phoenixcontact.com>

Phoenix Contact USA
586 Fulling Mill Road
Middletown, PA 17057, United States
(+717) 944-1300
info@phoenixcon.com