

HC-B-G-M25-PLRBK - Cable gland

1407670

<https://www.phoenixcontact.com/us/products/1407670>

Please be informed that the data shown in this PDF document is generated from our online catalog. Please find the complete data in the user documentation. Our general terms of use for downloads are valid.



EVO plastic cable gland with bayonet locking, for housing series B, size M25, cable diameter: 9 mm ... 17 mm

Commercial data

Item number	1407670
Packing unit	1 pc
Minimum order quantity	1 pc
Sales key	BF57
Product key	AF7APL
GTIN	4046356776387
Weight per piece (including packing)	40.5 g
Weight per piece (excluding packing)	38 g
Customs tariff number	39269097
Country of origin	PL

HC-B-G-M25-PLRBK - Cable gland

1407670

<https://www.phoenixcontact.com/us/products/1407670>

Technical data

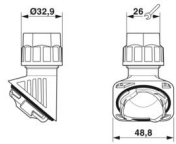
Mounting

Assembly note	Bayonet locking max. 3x can be removed
---------------	--

Product properties

Product type	Cable screw gland
No. of conductors	1
Type of the screw connection	M25
Shielded	no

Dimensions

Dimensional drawing	
Width	48.7 mm
Height	64 mm
Depth	65.7 mm
Wrench size, union nut	26 mm

Material specifications

Color	black (RAL 9005)
Material Pressure screw	PA
Flammability rating according to UL 94	V0 / V2
Seal material O-ring	NBR
Seal material Cable seal	NBR
Material for screw connection	PA

Cable/line

External cable diameter Cable 1	9 mm ... 17 mm
---------------------------------	----------------

Environmental and real-life conditions

Ambient conditions

Degree of protection	IP66
Enclosure rating (NEMA)	12 (UL 50e)
Ambient temperature (operation)	-40 °C ... 100 °C

HC-B-G-M25-PLRBK - Cable gland

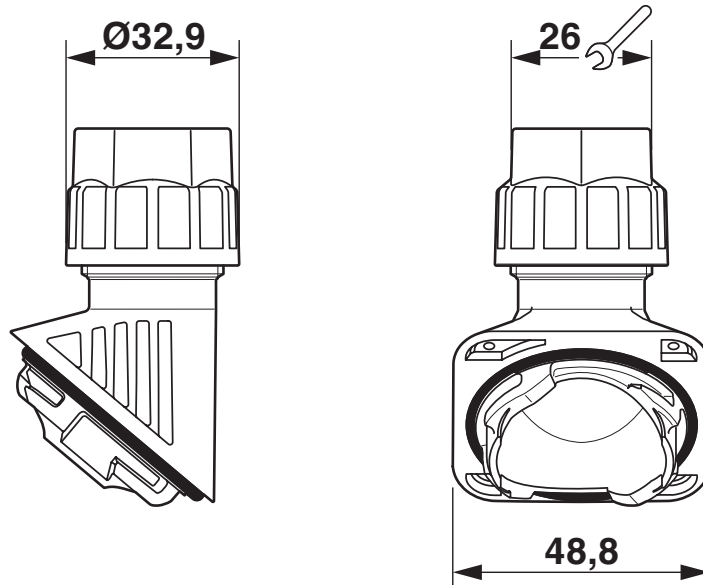
1407670

<https://www.phoenixcontact.com/us/products/1407670>



Drawings

Dimensional drawing



Dimensional drawing

HC-B-G-M25-PLRBK - Cable gland



1407670

<https://www.phoenixcontact.com/us/products/1407670>

Approvals

To download certificates, visit the product detail page: <https://www.phoenixcontact.com/us/products/1407670>

DNV

Approval ID: TAE000037S



cUL Recognized

Approval ID: E255026



UL Recognized

Approval ID: E255026



EAC

Approval ID: RU C-DE.AI30.B.01102



EAC-RoHS

Approval ID: RU D-DE.HB35.B.00387

HC-B-G-M25-PLRBK - Cable gland



1407670

<https://www.phoenixcontact.com/us/products/1407670>

Classifications

ECLASS

ECLASS-13.0	27140801
ECLASS-15.0	27140801

ETIM

ETIM 10.0	EC000441
-----------	----------

UNSPSC

UNSPSC 21.0	39121300
-------------	----------

HC-B-G-M25-PLRBK - Cable gland



1407670

<https://www.phoenixcontact.com/us/products/1407670>

Environmental product compliance

EU RoHS

Fulfills EU RoHS substance requirements	Yes, No exemptions
---	--------------------

China RoHS

Environment friendly use period (EFUP)	EFUP-E
	No hazardous substances above the limits

EU REACH SVHC

REACH candidate substance (CAS No.)	No substance above 0.1 wt%
-------------------------------------	----------------------------

EF3.1 Climate Change

CO2e kg	0.293 kg CO2e
---------	---------------

Phoenix Contact 2026 © - all rights reserved
<https://www.phoenixcontact.com>

Phoenix Contact USA
586 Fulling Mill Road
Middletown, PA 17057, United States
(+717) 944-1300
info@phoenixcon.com