

PSD-S ME T-M 250 - Mounting material



2700157

<https://www.phoenixcontact.com/us/products/2700157>

Please be informed that the data shown in this PDF document is generated from our online catalog. Please find the complete data in the user documentation. Our general terms of use for downloads are valid.



Tube, 250 mm high, Ø 25 mm

Commercial data

Item number	2700157
Packing unit	1 pc
Minimum order quantity	1 pc
Sales key	DR07
Product key	DRL117
Catalog page	Page 521 (C-6-2019)
GTIN	4046356491488
Weight per piece (including packing)	69.2 g
Weight per piece (excluding packing)	69 g
Customs tariff number	76082081
Country of origin	DE

PSD-S ME T-M 250 - Mounting material



2700157

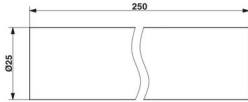
<https://www.phoenixcontact.com/us/products/2700157>

Technical data

Product properties

Product type	Assembly element
--------------	------------------

Dimensions

Dimensional drawing	
Height	250 mm
Diameter	25 mm

Material specifications

Color	silver
Material	Anodized aluminum

Environmental and real-life conditions

Ambient conditions

Ambient temperature (operation)	-30 °C ... 60 °C
---------------------------------	------------------

Mounting

Mounting type	Tube mounting
	Base mounting
Mounting position	any

PSD-S ME T-M 250 - Mounting material

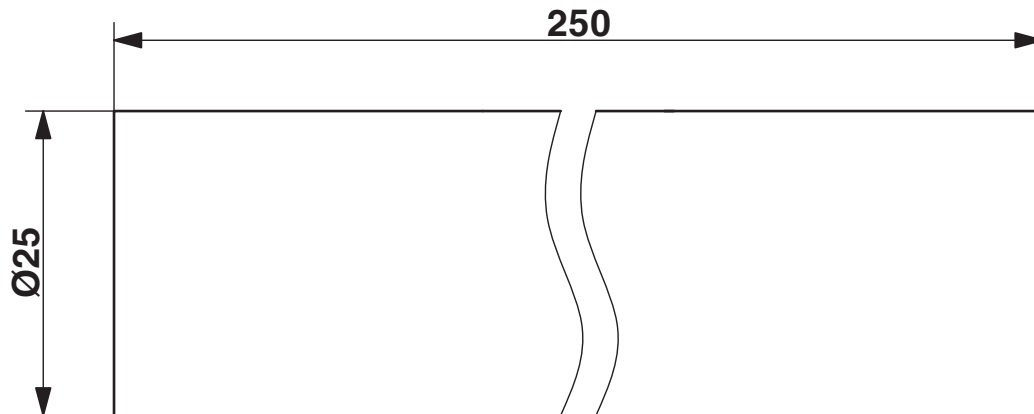


2700157

<https://www.phoenixcontact.com/us/products/2700157>

Drawings

Dimensional drawing



PSD-S ME T-M 250 - Mounting material



2700157

<https://www.phoenixcontact.com/us/products/2700157>

Approvals

To download certificates, visit the product detail page: <https://www.phoenixcontact.com/us/products/2700157>



EAC

Approval ID: RU *-DE.A*30.B.00237

PSD-S ME T-M 250 - Mounting material



2700157

<https://www.phoenixcontact.com/us/products/2700157>

Classifications

ECLASS

ECLASS-12.0	27371236
ECLASS-13.0	27371236
ECLASS-11.0	27371236

ETIM

ETIM 9.0	EC001155
----------	----------

UNSPSC

UNSPSC 21.0	46171600
-------------	----------

PSD-S ME T-M 250 - Mounting material



2700157

<https://www.phoenixcontact.com/us/products/2700157>

Environmental product compliance

China RoHS	Environmentally friendly use period: unlimited = EFUP-e No hazardous substances above threshold values
------------	---

Phoenix Contact 2023 © - all rights reserved
<https://www.phoenixcontact.com>

Phoenix Contact USA
586 Fulling Mill Road
Middletown, PA 17057, United States
(+717) 944-1300
info@phoenixcon.com