

MD-INC-1-SZP-S - Base plate



1415245

<https://www.phoenixcontact.com/us/products/1415245>

Please be informed that the data shown in this PDF document is generated from our online catalog. Please find the complete data in the user documentation. Our general terms of use for downloads are valid.

Base plate, with seal, for CES Multigates, with 1 opening, including mounting screws



Product description

Module plate
8 mounting screws (M5x12) /
and
Washers are supplied as standard

Commercial data

Item number	1415245
Packing unit	1 pc
Minimum order quantity	1 pc
Sales key	BF67
Product key	BF7CZX
Catalog page	Page 691 (C-2-2017)
GTIN	4055626039503
Weight per piece (including packing)	783.3 g
Weight per piece (excluding packing)	775.2 g
Customs tariff number	73269098
Country of origin	DE

MD-INC-1-SZP-S - Base plate



1415245

<https://www.phoenixcontact.com/us/products/1415245>

Technical data

Notes

General	incl. mounting screws
---------	-----------------------

Product properties

Product type	Adapter plate
Seal present	yes

Dimensions

Dimensional drawing	
Width	168 mm
Height	2 mm
Length	338 mm

Material specifications

Material	Stainless steel 1.4301/AISI 304
Seal material	NBR

Environmental and real-life conditions

Ambient conditions

Degree of protection	IP54
Ambient temperature (operation)	-40 °C ... 100 °C

Mounting

Assembly instructions	Diameter of fixing hole for self-tapping screw: 4.5 mm ... 4.7 mm, mounting screws (M5x12): 1.0 Nm ... 1.2 Nm tightening torque, SW4 Allen key
	Make sure the seal is fitted correctly (must not be squeezed out at the sides)

MD-INC-1-SZP-S - Base plate

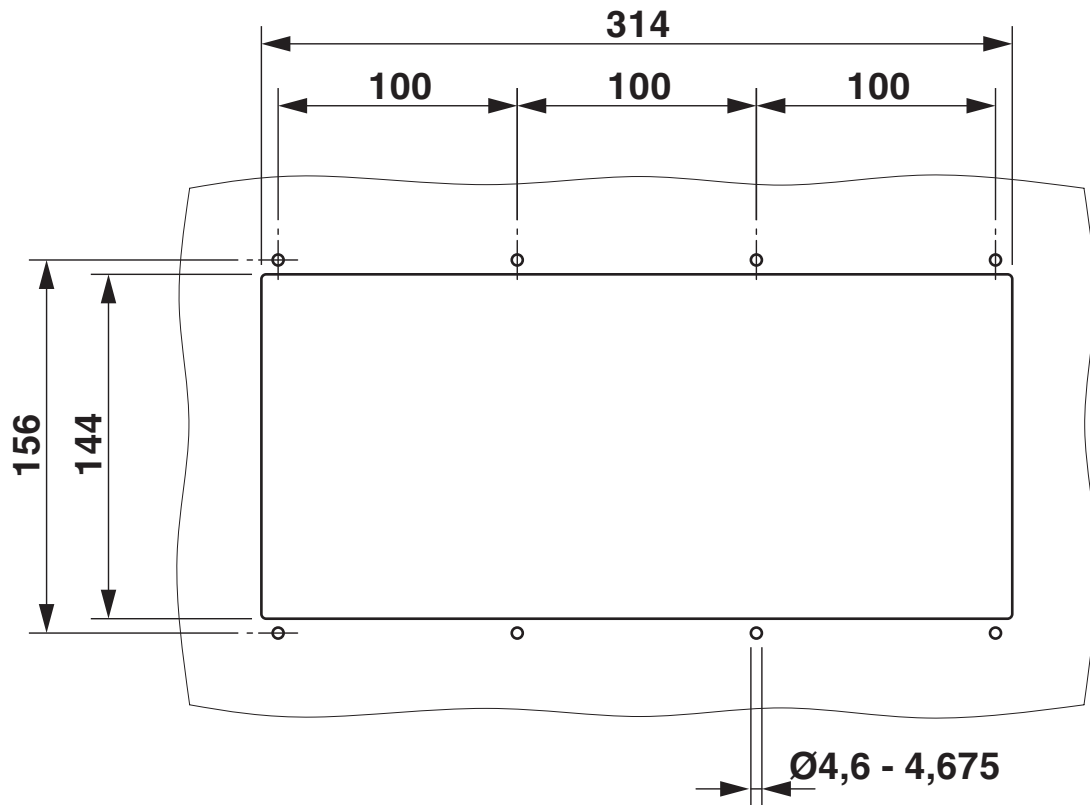


1415245

<https://www.phoenixcontact.com/us/products/1415245>

Drawings

Dimensional drawing



Wall cutout drawing

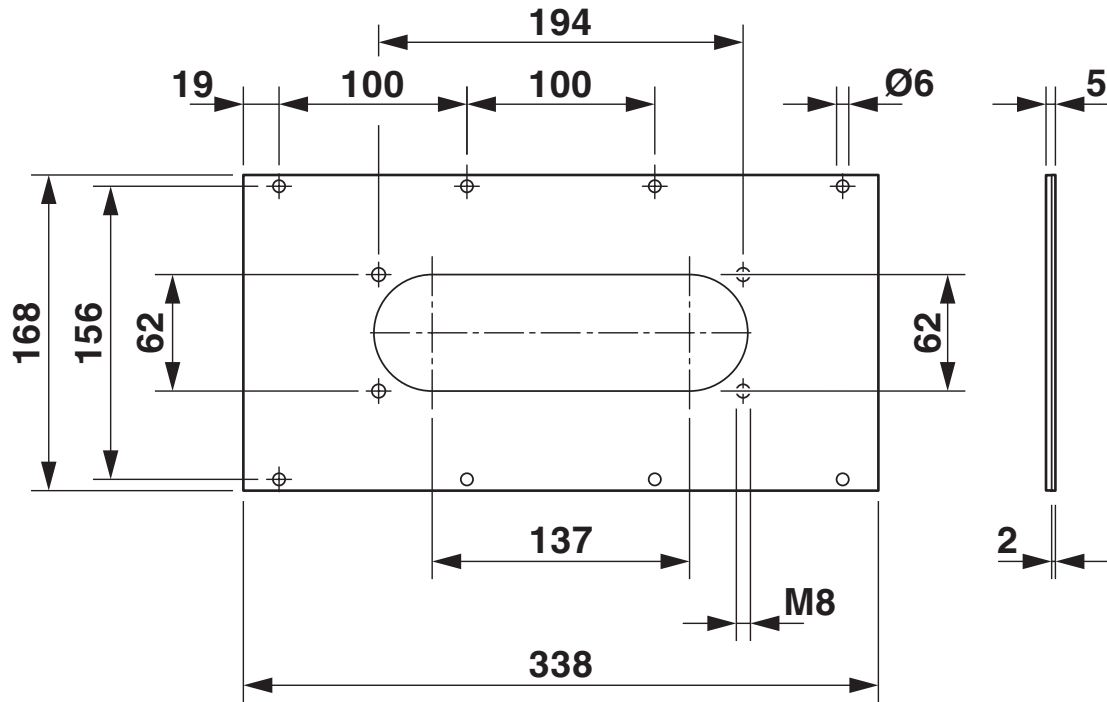
MD-INC-1-SZP-S - Base plate

1415245

<https://www.phoenixcontact.com/us/products/1415245>



Dimensional drawing



MD-INC-1-SZP-S - Base plate



1415245

<https://www.phoenixcontact.com/us/products/1415245>

Classifications

ECLASS

ECLASS-11.0	27440201
ECLASS-12.0	27440201
ECLASS-13.0	27440201

ETIM

ETIM 9.0	EC002309
----------	----------

UNSPSC

UNSPSC 21.0	31261500
-------------	----------

MD-INC-1-SZP-S - Base plate



1415245

<https://www.phoenixcontact.com/us/products/1415245>

Environmental product compliance

China RoHS	Environmentally friendly use period: unlimited = EFUP-e No hazardous substances above threshold values
------------	---

Phoenix Contact 2023 © - all rights reserved
<https://www.phoenixcontact.com>

Phoenix Contact USA
586 Fulling Mill Road
Middletown, PA 17057, United States
(+717) 944-1300
info@phoenixcon.com