

PLC-OSC- 24DC/ 24DC/ 5/ACT - Solid-state relay module



2982786

<https://www.phoenixcontact.com/gb/products/2982786>

Please be informed that the data shown in this PDF document is generated from our online catalog. Please find the complete data in the user documentation. Our general terms of use for downloads are valid.



PLC-INTERFACE for output functions, consisting of PLC-BSC.../ACT basic terminal block with screw connection and plug-in miniature solid-state relay, for mounting on DIN rail NS 35/7,5, 1 N/O contact, input: 24 V DC, output: 3 ... 33 V DC/5 A

Your advantages

- PLC actuator series with solid-state power relays for coupling the controller and actuators, such as motors, contactors, valves, etc.

Commercial data

Item number	2982786
Packing unit	10 pc
Minimum order quantity	10 pc
Sales key	DK6233
Product key	DK6233
Catalog page	Page 378 (C-5-2019)
GTIN	4046356342841
Weight per piece (including packing)	71.75 g
Weight per piece (excluding packing)	67.818 g
Customs tariff number	85364190
Country of origin	DE

PLC-OSC- 24DC/ 24DC/ 5/ACT - Solid-state relay module



2982786

<https://www.phoenixcontact.com/gb/products/2982786>

Technical data

Product properties

Product type	Solid-state relay module
Product family	PLC-INTERFACE
Application	Output function
Operating mode	100% operating factor

Insulation characteristics: Standards/regulations

Insulation	Basic insulation
Overvoltage category	III
Pollution degree	2

Data management status

Date of last data management	14.11.2024
------------------------------	------------

Electrical properties

Maximum power dissipation for nominal condition	0.22 W
Test voltage (Input/output)	2.5 kV (50 Hz, 1 min., input/output)

Input data

Nominal input voltage U_N	24 V DC
Nominal voltage (plugged-in solid-state relay)	24 V DC
Input voltage range in reference to U_N	0.8 ... 1.2
Input voltage range	19.2 V DC ... 28.8 V DC
Switching threshold "0" signal, voltage	< 10.7 V
Switching threshold "1" signal voltage	> 16.7 V
Typical input current at U_N	9 mA
Typical response time	20 μ s
Typical turn-off time	400 μ s
Operating voltage display	Yellow LED
Protective circuit	Reverse polarity protection; Polarity protection diode Freewheeling diode; Freewheeling diode
Transmission frequency	300 Hz

Output data

Contact switching type	1 N/O contact
Design of digital output	electronic
Output nominal voltage	24 V DC
Output voltage range	3 V DC ... 33 V DC
Limiting continuous current	5 A (see derating curve)
Maximum inrush current	15 A (10 ms)
Surge voltage protection	> 33 V DC
Voltage drop at max. limiting continuous current	\leq 200 mV

PLC-OSC- 24DC/ 24DC/ 5/ACT - Solid-state relay module



2982786

<https://www.phoenixcontact.com/gb/products/2982786>

Output circuit	2-conductor, floating
Protective circuit	Reverse polarity protection; Polarity protection diode
	Surge protection

Connection data

Connection method	Screw connection
Stripping length	8 mm
Screw thread	M3
Conductor cross section rigid	0.14 mm ² ... 2.5 mm ²
Conductor cross section flexible	0.14 mm ² ... 2.5 mm ²
	0.2 mm ² ... 2.5 mm ² (Single ferrule)
	2x 0.5 mm ² ... 1.5 mm ² (TWIN ferrule)
Conductor cross section AWG	26 ... 14
Tightening torque	0.6 Nm ... 0.8 Nm

Dimensions

Width	14 mm
Height	80 mm
Depth	94 mm

Material specifications

Color	gray (RAL 7042)
Flammability rating according to UL 94	V0 (Housing)

Environmental and real-life conditions

Ambient conditions

Ambient temperature (operation)	-20 °C ... 60 °C
Ambient temperature (storage/transport)	-25 °C ... 70 °C

Approvals

CE

Certificate	CE-compliant
-------------	--------------

UKCA

Certificate	UKCA-compliant
-------------	----------------

Shipbuilding approval

Certificate	TAE0000196
-------------	------------

Corrosive gas test

Identification	ISA-S71.04. G3 Harsh Group
	EN 60068-2-60
Temperature	D
Humidity	A
Vibration	B/C

PLC-OSC- 24DC/ 24DC/ 5/ACT - Solid-state relay module



2982786

<https://www.phoenixcontact.com/gb/products/2982786>

EMC	B
Enclosure	Required protection according to the Rules shall be provided upon installation on board

EMC data

Electromagnetic compatibility	Conformance with EMC directive
Low Voltage Directive	Conformance with Low Voltage Directive

Standards and regulations

Standards/regulations

Standards/regulations	IEC 60947-5-1
-----------------------	---------------

Mounting

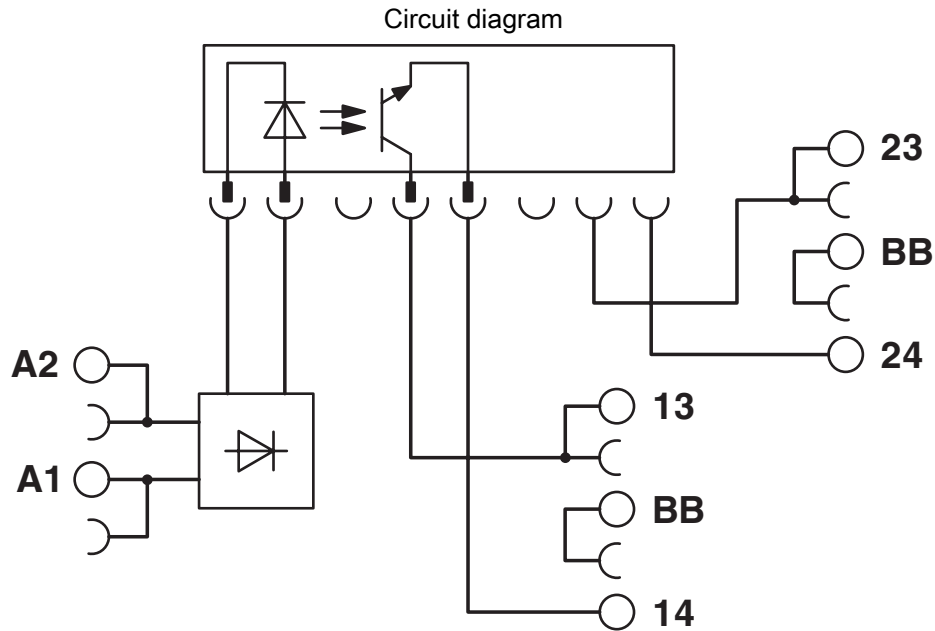
Mounting type	DIN rail mounting
Assembly note	in rows with zero spacing
Mounting position	see to derating

PLC-OSC- 24DC/ 24DC/ 5/ACT - Solid-state relay module

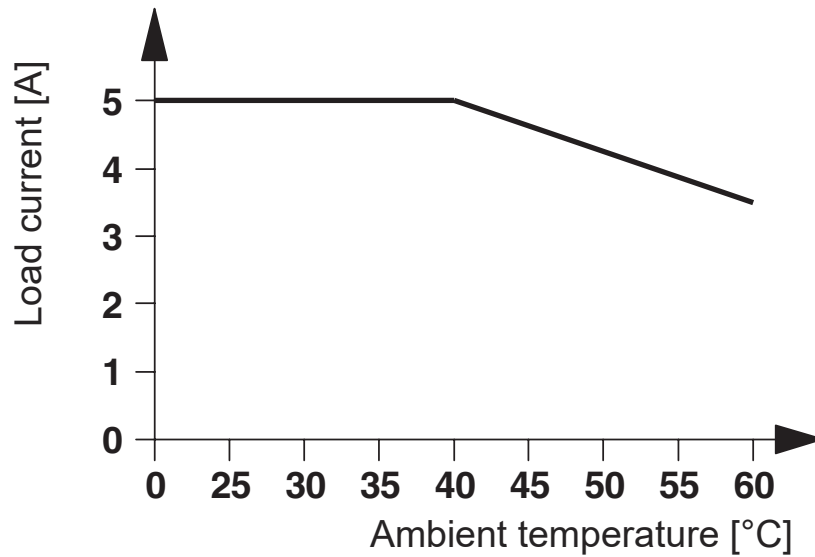
2982786

<https://www.phoenixcontact.com/gb/products/2982786>

Drawings



Diagram



PLC-OSC- 24DC/ 24DC/ 5/ACT - Solid-state relay module



2982786

<https://www.phoenixcontact.com/gb/products/2982786>

Approvals

To download certificates, visit the product detail page: <https://www.phoenixcontact.com/gb/products/2982786>



DNV GL

Approval ID: TAE0000196



cULus Listed

Approval ID: E140324

PLC-OSC- 24DC/ 24DC/ 5/ACT - Solid-state relay module



2982786

<https://www.phoenixcontact.com/gb/products/2982786>

Classifications

ECLASS

ECLASS-11.0	27371604
ECLASS-12.0	27371604
ECLASS-13.0	27371604

ETIM

ETIM 9.0	EC001504
----------	----------

UNSPSC

UNSPSC 21.0	39122300
-------------	----------

PLC-OSC- 24DC/ 24DC/ 5/ACT - Solid-state relay module



2982786

<https://www.phoenixcontact.com/gb/products/2982786>

Environmental product compliance

EU RoHS

Fulfills EU RoHS substance requirements	Yes
Exemption	7(a), 7(c)-I

China RoHS

Environment friendly use period (EFUP)	EFUP-50
	An article-related China RoHS declaration table can be found in the download area for the respective article under "Manufacturer declaration". For all articles with EFUP-E, no China RoHS declaration table issued and required.

EU REACH SVHC

REACH candidate substance (CAS No.)	Hexahydromethylphthalic anhydride(CAS: n/a)
	Lead(CAS: 7439-92-1)
SCIP	665b7865-5c02-459d-abef-24945f53940f

Phoenix Contact 2025 © - all rights reserved
<https://www.phoenixcontact.com>

PHOENIX CONTACT Ltd
Halesfield 13, Telford
Shropshire, TF7 4PG
01952 681700
info@phoenixcontact.co.uk