

# PLC-OSC-230UC/ 48DC/100/SEN - Solid-state relay module



2966809

<https://www.phoenixcontact.com/gb/products/2966809>

Please be informed that the data shown in this PDF document is generated from our online catalog. Please find the complete data in the user documentation. Our general terms of use for downloads are valid.



PLC-INTERFACE for input functions, consisting of PLC-BSC.../SEN basic terminal block with screw connection and plug-in miniature solid-state relay, for mounting on DIN rail NS 35/7,5, 1 N/O contact, input: 230 V AC/220 V DC, output: 3 - 48 V DC/100 mA

## Your advantages

- Efficient connection to system cabling using V8 adapter
- Time savings of up to 60 %
- No need for additional modular terminal blocks
- Relay modules with safe isolation according to DIN EN 50178 between coil and contact
- Space savings of up to 80 %
- Functional plug-in bridges
- Sensor connected directly to relay module

## Commercial data

Item number	2966809
Packing unit	10 pc
Minimum order quantity	1 pc
Sales key	DK6223
Product key	DK6223
Catalog page	Page 381 (C-5-2019)
GTIN	4017918130626
Weight per piece (including packing)	38.14 g
Weight per piece (excluding packing)	32.47 g
Customs tariff number	85364900
Country of origin	DE

# PLC-OSC-230UC/ 48DC/100/SEN - Solid-state relay module



2966809

<https://www.phoenixcontact.com/gb/products/2966809>

## Technical data

### Product properties

Product type	Solid-state relay module
Product family	PLC-INTERFACE
Application	Input function
Operating mode	100% operating factor

### Insulation characteristics: Standards/regulations

Insulation	Basic insulation
Overvoltage category	III
Pollution degree	2

### Data management status

Date of last data management	13.11.2024
------------------------------	------------

### Electrical properties

Maximum power dissipation for nominal condition	0.81 W
Test voltage (Input/output)	2.5 kV (50 Hz, 1 min., input/output)

### Input data

Nominal input voltage $U_N$	230 V AC
	220 V DC
Nominal voltage (plugged-in solid-state relay)	60 V DC
Input voltage range in reference to $U_N$	0.8 ... 1.1
Input voltage range	184 V AC ... 253 V AC
	176 V DC ... 242 V DC
Switching threshold "0" signal in reference to $U_N$	$\leq 0.3$
Switching threshold "1" signal in reference to $U_N$	$\geq 0.8$
Typical input current at $U_N$	3.5 mA
Typical response time	3 ms (at $U_N$ )
Typical turn-off time	5 ms (at $U_N$ )
Operating voltage display	Yellow LED
Protective circuit	Bridge rectifier; Bridge rectifier
Transmission frequency	10 Hz

### Output data

Contact switching type	1 N/O contact
Design of digital output	electronic
Output voltage range	3 V DC ... 48 V DC
Limiting continuous current	100 mA
Voltage drop at max. limiting continuous current	$\leq 1$ V
Output circuit	2-conductor, floating
Protective circuit	Reverse polarity protection; Polarity protection diode

# PLC-OSC-230UC/ 48DC/100/SEN - Solid-state relay module



2966809

<https://www.phoenixcontact.com/gb/products/2966809>

	Surge protection
--	------------------

## Connection data

Connection method	Screw connection
Stripping length	8 mm
Screw thread	M3
Conductor cross section rigid	0.14 mm <sup>2</sup> ... 2.5 mm <sup>2</sup>
Conductor cross section flexible	0.14 mm <sup>2</sup> ... 2.5 mm <sup>2</sup>
	0.2 mm <sup>2</sup> ... 2.5 mm <sup>2</sup> (Single ferrule)
	2x 0.5 mm <sup>2</sup> ... 1.5 mm <sup>2</sup> (TWIN ferrule)
Conductor cross section AWG	26 ... 14
Tightening torque	0.6 Nm ... 0.8 Nm

## Dimensions

Width	6.2 mm
Height	80 mm
Depth	94 mm

## Material specifications

Color	gray (RAL 7042)
Flammability rating according to UL 94	V0 (Housing)

## Environmental and real-life conditions

### Ambient conditions

Ambient temperature (operation)	-25 °C ... 60 °C
Ambient temperature (storage/transport)	-25 °C ... 70 °C

## Approvals

### CE

Certificate	CE-compliant
-------------	--------------

### UKCA

Certificate	UKCA-compliant
-------------	----------------

### Shipbuilding approval

Certificate	TAE0000196
-------------	------------

### Corrosive gas test

Identification	ISA-S71.04. G3 Harsh Group
	EN 60068-2-60
Temperature	D
Humidity	A
Vibration	B/C
EMC	B
Enclosure	Required protection according to the Rules shall be provided

# PLC-OSC-230UC/ 48DC/100/SEN - Solid-state relay module



2966809

<https://www.phoenixcontact.com/gb/products/2966809>

	upon installation on board
--	----------------------------

## EMC data

Electromagnetic compatibility	Conformance with EMC directive
Low Voltage Directive	Conformance with Low Voltage Directive

## Standards and regulations

### Standards/regulations

Standards/regulations	IEC 60947-5-1
-----------------------	---------------

## Mounting

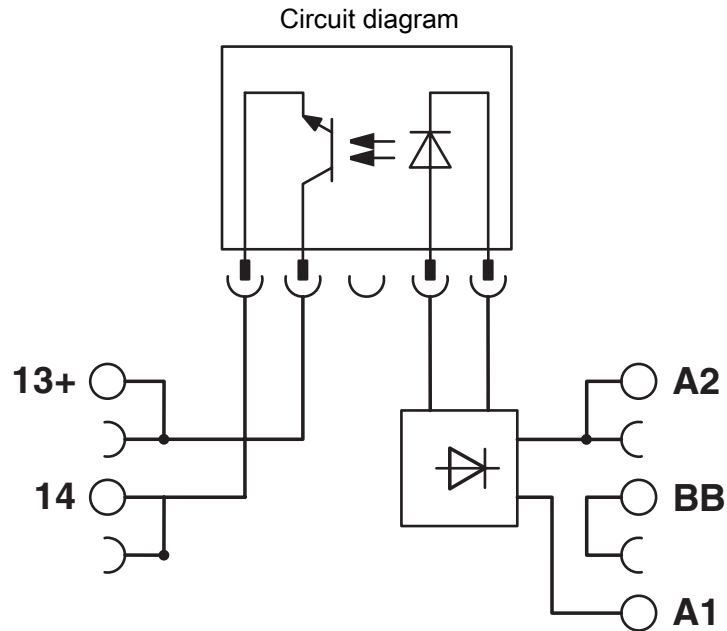
Mounting type	DIN rail mounting
Assembly note	in rows with zero spacing
Mounting position	any

# PLC-OSC-230UC/ 48DC/100/SEN - Solid-state relay module

2966809

<https://www.phoenixcontact.com/gb/products/2966809>

## Drawings



# PLC-OSC-230UC/ 48DC/100/SEN - Solid-state relay module



2966809

<https://www.phoenixcontact.com/gb/products/2966809>

## Approvals

To download certificates, visit the product detail page: <https://www.phoenixcontact.com/gb/products/2966809>



**EAC**

Approval ID: RU\*C-DE.\*08.B.00010



**DNV GL**

Approval ID: TAE0000196



**cULus Listed**

Approval ID: E140324

# PLC-OSC-230UC/ 48DC/100/SEN - Solid-state relay module



2966809

<https://www.phoenixcontact.com/gb/products/2966809>

## Classifications

### ECLASS

ECLASS-11.0	27371604
ECLASS-12.0	27371604
ECLASS-13.0	27371604

### ETIM

ETIM 9.0	EC001504
----------	----------

### UNSPSC

UNSPSC 21.0	39122300
-------------	----------

# PLC-OSC-230UC/ 48DC/100/SEN - Solid-state relay module



2966809

<https://www.phoenixcontact.com/gb/products/2966809>

## Environmental product compliance

### EU RoHS

Fulfills EU RoHS substance requirements	Yes
Exemption	7(a), 7(c)-I

### China RoHS

Environment friendly use period (EFUP)	EFUP-50
	An article-related China RoHS declaration table can be found in the download area for the respective article under "Manufacturer declaration". For all articles with EFUP-E, no China RoHS declaration table issued and required.

### EU REACH SVHC

REACH candidate substance (CAS No.)	Hexahydromethylphthalic anhydride(CAS: n/a)
	Lead(CAS: 7439-92-1)
SCIP	6a36cb0f-2bdf-4f2e-9dad-8cf55c40adfb

Phoenix Contact 2025 © - all rights reserved  
<https://www.phoenixcontact.com>

PHOENIX CONTACT Ltd  
Halesfield 13, Telford  
Shropshire, TF7 4PG  
01952 681700  
[info@phoenixcontact.co.uk](mailto:info@phoenixcontact.co.uk)